

THE INFORMATION CONTAINED IN THIS DRAWING IS THE SOLE PROPERTY OF ANDERSON POWER PRODUCTS. ANY REPRODUCTION IN PART OR WHOLE WITHOUT THE WRITTEN PERMISSION OF ANDERSON POWER PRODUCTS IS PROHIBITED.

Copyright 2015

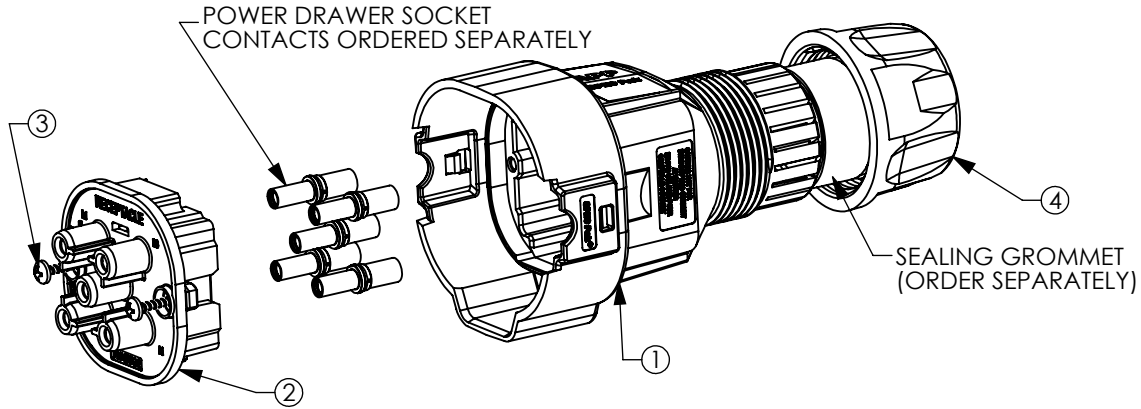
ANDERSON POWER PRODUCTS RESERVES THE RIGHT TO ALTER PRODUCT TYPES, THEIR TECHNICAL DATA, DIMENSION, STYLE AND ACCESSORIES WITHOUT PRIOR NOTIFICATION.

EXPLODED VIEW

COMPONENTS INCLUDED

D

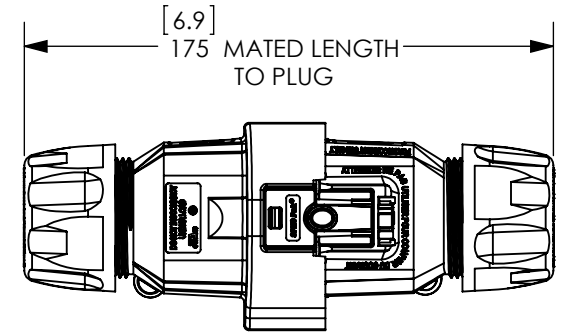
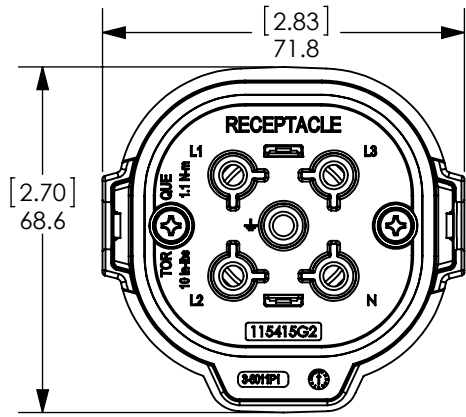
D



ITEM	QTY	DESCRIPTION
1	1	IN-LINE RECEPTACLE SHELL WITH O-RING
2	1	5 POSITION RECEPTACLE HOLDER FOR POWER DRAWER CONTACTS (P/N 115415G2)
3	2	M3.5 SELF-TAPPING SCREWS
4	1	SEAL NUT

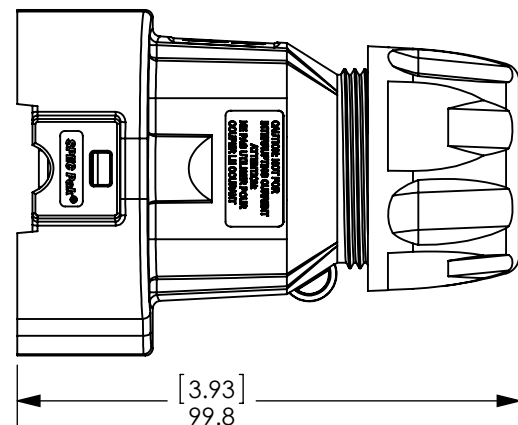
C

C



B

B



KIT PART NO. SK1-076D05

NOTES:

- MATERIAL
RECEPTACLE SHELL - PBT, BLACK
HOLDER - PBT, BLACK
NUT - PBT, BLACK
SCREWS - STEEL, ZINC PLATE
- FOR USE WITH POWER DRAWER CONTACTS AND HOUSINGS (ORDERED SEPARATELY)
- REFER TO ASSEMBLY INSTRUCTIONS (1S6639)

A

A

DIMENSIONS ARE IN: MM [INCH]		<i>APPROVALS</i>		ANDERSON POWER PRODUCTS	
UNLESS OTHERWISE STATED		DRAWN	3/19/2015	TITLE	
TOLERANCES:		NTS		MID POWER SPEC PAK®	
DECIMALS (INCH)	DECIMALS (MM)	CHECKED		5 POSITION IN-LINE RECEPTACLE KIT	
.XX ± .02	.X ± .5			SIZE	DWG NO.
SURFACE FINISH:		MFG APPRV		A	115165S4
MACHINED	3.2µ [128µin]	QC APPRV		SCALE	REV.
MOLDED	1.6µ [64µin]			NONE	A
MATERIAL: SEE NOTES		ENG APPRV		CADFILE	SHEET
FINISH: N/A				04488	1 OF 1
3rd ANGLE PROJECTION		-CAD GENERATED DRAWING- DO NOT MANUALLY UPDATE DO NOT SCALE			

REV.	DESCRIPTION	APPRV	DATE
REVISIONS			