

8 7 6 5 4 3 2 1

THE INFORMATION CONTAINED IN THIS DRAWING IS THE SOLE PROPERTY OF ANDERSON POWER PRODUCTS. ANY REPRODUCTION IN PART OR WHOLE WITHOUT THE WRITTEN PERMISSION OF ANDERSON POWER PRODUCTS IS PROHIBITED.

**Copyright 2012**

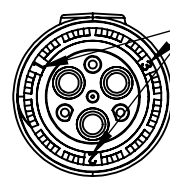
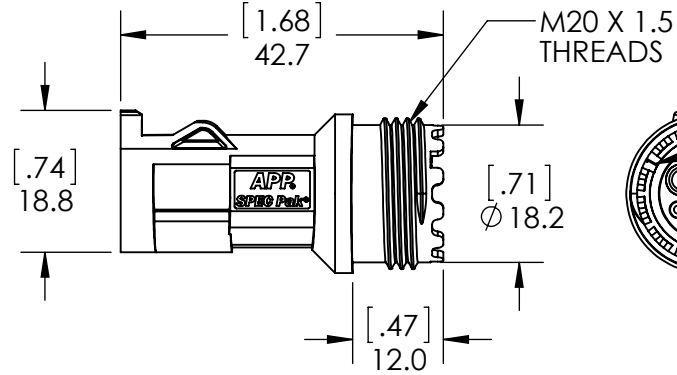
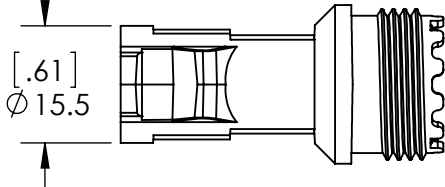
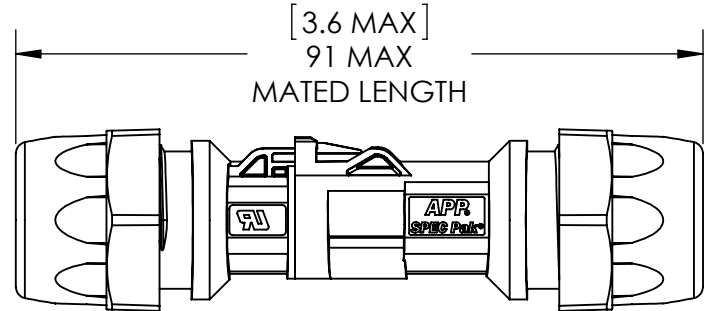
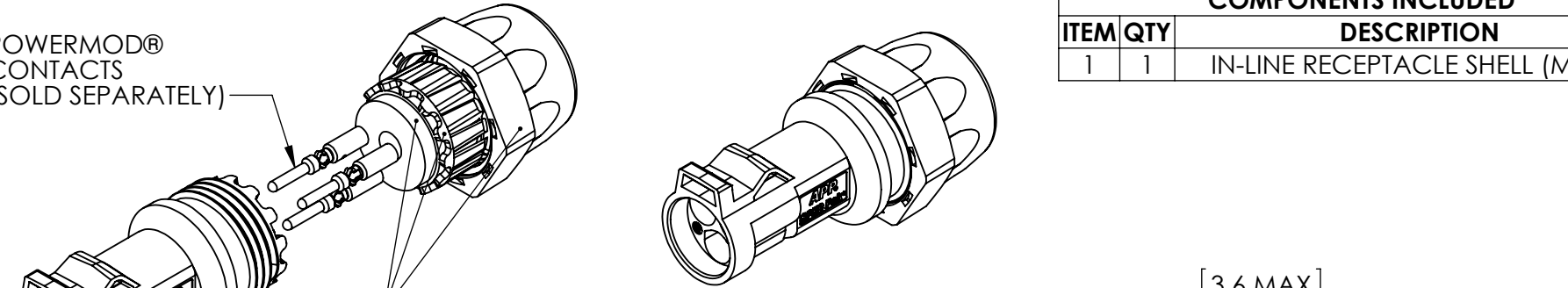
ANDERSON POWER PRODUCTS RESERVES THE RIGHT TO ALTER PRODUCT TYPES, THEIR TECHNICAL DATA, DIMENSION, STYLE AND ACCESSORIES WITHOUT PRIOR NOTIFICATION.

**COMPONENTS INCLUDED**

ITEM	QTY	DESCRIPTION
1	1	IN-LINE RECEPTACLE SHELL (MALE)

POWERMOD® CONTACTS (SOLD SEPARATELY)

SEALING GLAND (SOLD SEPARATELY)



CONTACT LOCATION ID NUMBERS

**PART NO. SK1-019M03**

**NOTES:**

- MATERIAL: RECEPTACLE HOUSING - PC BLACK
- FOR USE WITH POWERMOD® PIN CONTACTS (SOLD SEPARATELY)
- REFER TO ASSEMBLY INSTRUCTIONS 1S6589

DIMENSIONS ARE IN:	MM [INCH]	<b>APPROVALS</b>		<p><b>ANDERSON POWER PRODUCTS</b></p> <p>TITLE</p> <p>3-POSITION MINI PL SPEC PAK® IN-LINE RECEPTACLE SHELL (MALE)</p>
UNLESS OTHERWISE STATED		DRAWN	11/28/2012	
TOLERANCES:		NTS		
DECIMALS (INCH)	DECIMALS (MM)	CHECKED	3/8/2013	
.XX ± .02	.X ± .5	CMS		
SURFACE FINISH:		MFG APPRV	3/8/2013	
MACHINED 3.2µ [128µin]		CHB		
MOLDED 1.6µ [64µin]		QC APPRV	3/8/2013	
MATERIAL: SEE NOTE 1		UFN		
FINISH:		ENG APPRV	3/8/2013	
		BD		
		-CAD GENERATED DRAWING- DO NOT MANUALLY UPDATE DO NOT SCALE		SIZE A DWG NO. 115222S1 REV. 2
		SCALE NONE	CADFILE 03868	SHEET 1 OF 1

REV.	DESCRIPTION	APPRV	DATE
2	ECRN 15480	NTS	10/3/2013
1	ECRN 15459	NTS	8/20/2013
REVISIONS			

8 7 6 5 4 3 2 1