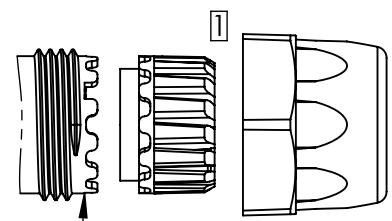
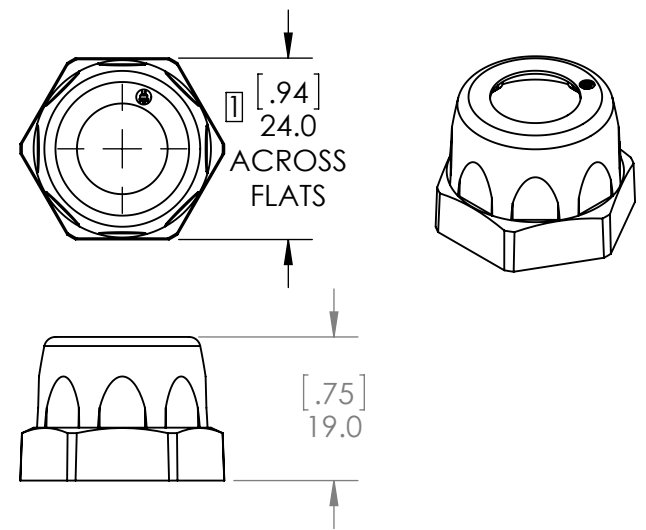


THE INFORMATION CONTAINED IN THIS DRAWING IS THE SOLE PROPERTY OF ANDERSON POWER PRODUCTS. ANY REPRODUCTION IN PART OR WHOLE WITHOUT THE WRITTEN PERMISSION OF ANDERSON POWER PRODUCTS IS PROHIBITED.

Copyright 2012

ANDERSON POWER PRODUCTS RESERVES THE RIGHT TO ALTER PRODUCT TYPES, THEIR TECHNICAL DATA, DIMENSION, STYLE AND ACCESSORIES WITHOUT PRIOR NOTIFICATION.

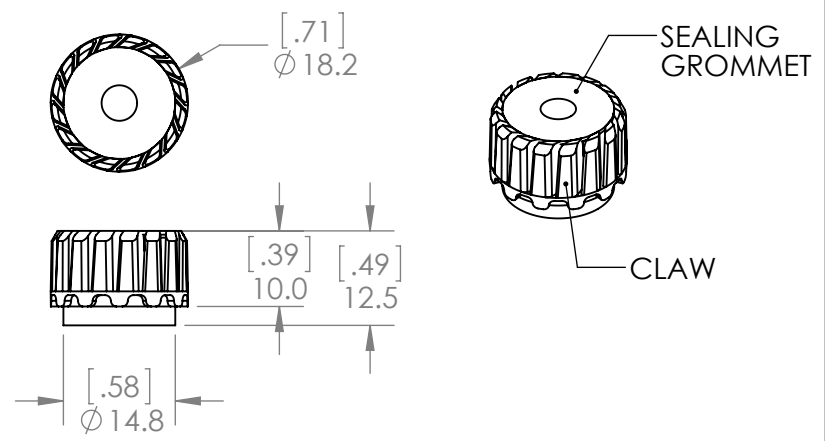
SEAL NUT



STRAIGHT PLUG (FEMALE) OR IN-LINE RECEPTACLE SHELL (MALE) NOT INCLUDED

WIRE SEAL ASSEMBLY

SEE SHEET 2 FOR WIRE SEAL OPTIONS



NOTES:

- MATERIALS:
 - A. SEAL NUT - PC, UL94 V-0, BLACK
 - B. CLAW - PC, UL94 V-0 BLACK
 - C. SEALING GROMMET - EPDM RUBBER, BLACK
- SEALING GLAND KITS INCLUDE ONE EACH SEAL NUT AND WIRE SEAL ASSEMBLY
- REFER TO ASSEMBLY INSTRUCTIONS 1S6590 FOR STRAIGHT PLUG (FEMALE) AND 1S6589 FOR IN-LINE RECEPTACLE (MALE) ASSEMBLY
- FOR USE WITH 3-POSITION MINI PL SPEC PAK® SK1-019M03 AND SK6-019M03 ONLY

DIMENSIONS ARE IN:	MM [INCH]	APPROVALS			ANDERSON POWER PRODUCTS		
UNLESS OTHERWISE STATED		DRAWN	2/12/2013		TITLE	3-POSITION MINI PL SPEC PAK® SEALING GLAND	
TOLERANCES:		NTS					
DECIMALS (INCH)	DECIMALS (MM)	CHECKED	3/8/2013				
.XX ± .02	.X ± .5	CMS					
SURFACE FINISH:		MFG APPRV	3/8/2013	QC APPRV			
MACHINED	3.2μ [128μin]	CHB		UFN			
MOLDED	1.6μ [64μin]	QC APPRV	3/8/2013	ENG APPRV			
MATERIAL: SEE NOTES		BD	3/8/2013	SIZE	DWG NO.	REV.	
FINISH:				A	115225S1	2	
		-CAD GENERATED DRAWING- DO NOT MANUALLY UPDATE DO NOT SCALE		SCALE	CADFILE	SHEET	
				NONE	03871	1 OF 2	

REV.	DESCRIPTION	APPRV	DATE
2	ECRN-15508	TWE	11/11/2013
1	ECRN-15456	NTS	

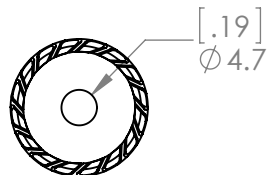
REVISIONS

THE INFORMATION CONTAINED IN THIS DRAWING IS THE SOLE PROPERTY OF ANDERSON POWER PRODUCTS. ANY REPRODUCTION IN PART OR WHOLE WITHOUT THE WRITTEN PERMISSION OF ANDERSON POWER PRODUCTS IS PROHIBITED.

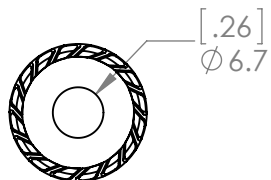
Copyright 2013

ANDERSON POWER PRODUCTS RESERVES THE RIGHT TO ALTER PRODUCT TYPES, THEIR TECHNICAL DATA, DIMENSION, STYLE AND ACCESSORIES WITHOUT PRIOR NOTIFICATION.

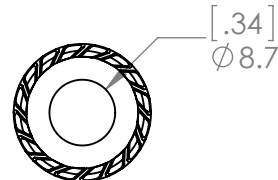
PS1T20-5X



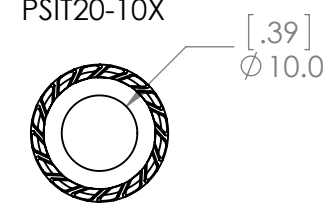
PS1T20-7X



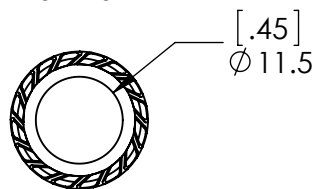
PS1T20-9X



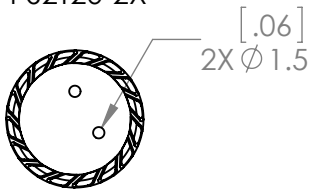
PS1T20-10X



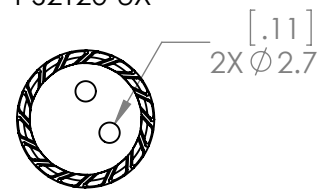
PS1T20-12X



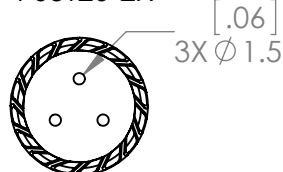
PS2T20-2X



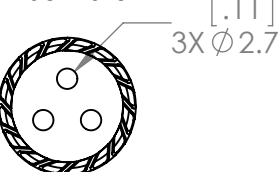
PS2T20-3X



PS3T20-2X



PS3T20-3X



GLAND P/N	SPEC PAK P/N CODE	WIRE SEALING RANGES			
		MM		INCHES	
		MIN	MAX	MIN	MAX
PS1T20-5X	PS01	3.0	4.5	0.12	0.18
PS1T20-7X	PS02	4.5	6.5	0.18	0.26
PS1T20-9X	PS03	6.5	8.5	0.26	0.33
PS1T20-10X	PS04	8.5	10.0	0.33	0.39
PS1T20-12X	PS05	10.0	11.5	0.39	.45
PS2T20-2X	PM21	0.75	1.5	0.33	0.39
PS2T20-3X	PM22	1.6	2.6	0.39	0.45
PS3T20-2X	PM31	0.75	1.5	0.03	0.06
PS3T20-3X	PM32	1.6	2.6	0.06	0.10

DIMENSIONS ARE IN:	MM [INCH]	APPROVALS		<p>ANDERSON POWER PRODUCTS</p> <p>TITLE</p> <p>3-POSITION MINI PL SPEC PAK® SEALING GLAND</p>
UNLESS OTHERWISE STATED		DRAWN	2/12/2013	
TOLERANCES:		NTS		
DECIMALS (INCH)	DECIMALS (MM)	CHECKED	3/8/2013	
.XX ±.02	.X ±.5	CMS		
SURFACE FINISH:		MFG APPRV	3/8/2013	
MACHINED	3.2μ [128μin]	CHB		
MOLDED	1.6μ [64μin]	QC APPRV	3/8/2013	
MATERIAL:		UFN		
SEE NOTES		ENG APPRV	3/8/2013	
FINISH:		BD		
		-CAD GENERATED DRAWING- DO NOT MANUALLY UPDATE DO NOT SCALE		

REV.	DESCRIPTION	APPRV	DATE
-	See Sheet1	-	-
REVISIONS			