

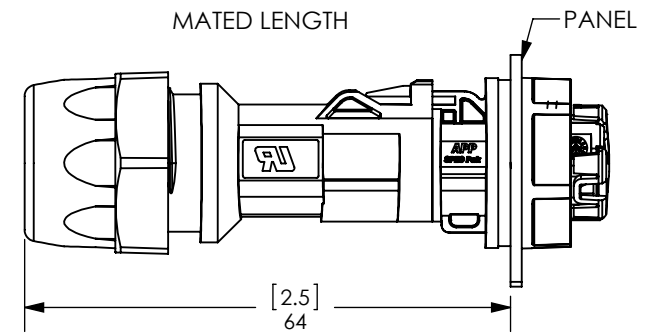
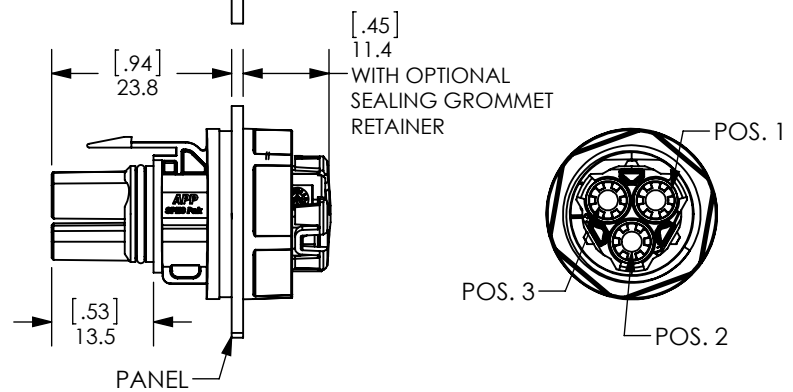
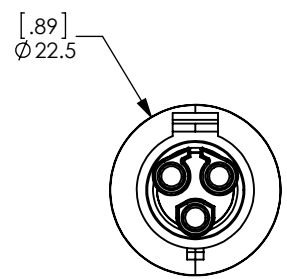
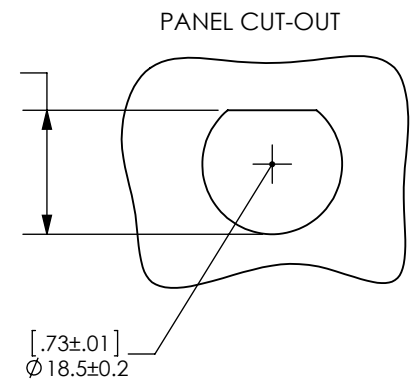
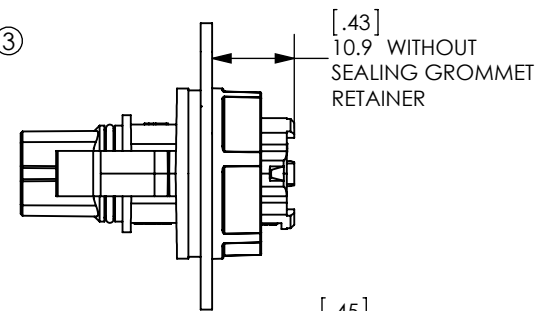
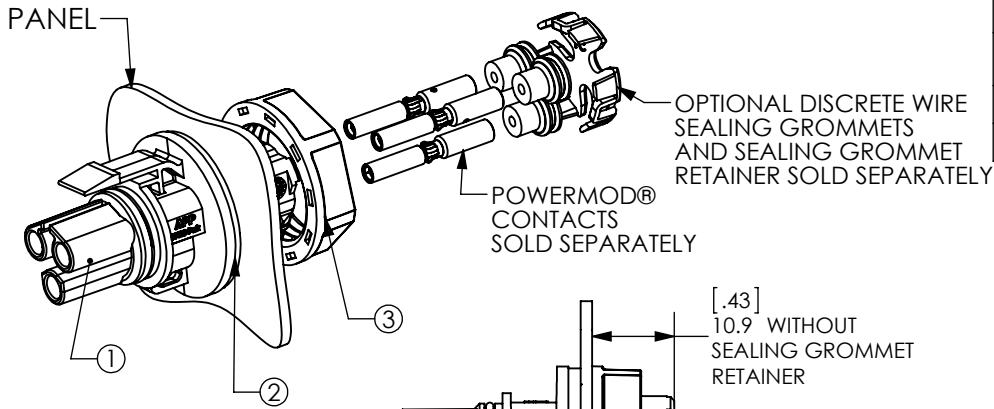
THE INFORMATION CONTAINED IN THIS DRAWING IS THE SOLE PROPERTY OF ANDERSON POWER PRODUCTS. ANY REPRODUCTION IN PART OR WHOLE WITHOUT THE WRITTEN PERMISSION OF ANDERSON POWER PRODUCTS IS PROHIBITED.

Copyright 2013

ANDERSON POWER PRODUCTS RESERVES THE RIGHT TO ALTER PRODUCT TYPES, THEIR TECHNICAL DATA, DIMENSION, STYLE AND ACCESSORIES WITHOUT PRIOR NOTIFICATION.

COMPONENTS INCLUDED

ITEM	QTY	DESCRIPTION	MATERIAL
1	1	JAM NUT SHELL (FEMALE) WITH O-RING	SHELL- PC, O-RING: NBR- BLACK
2	1	PANEL GASKET	NBR, BLACK
3	1	JAM NUT	PC, BLACK



- NOTES:**
- FOR USE WITH POWERMOD® SOCKET CONTACTS (SOLD SEPARATELY)
 - REFER TO ASSEMBLY INSTRUCTIONS 1S6606

DIMENSIONS ARE IN:	MM [INCH]	APPROVALS		<p>ANDERSON POWER PRODUCTS</p> <p>TITLE</p> <p>SPEC PAK® MINI 3PL JAM NUT FEMALE KIT CAT. NO. SK7-019M03</p>
UNLESS OTHERWISE STATED		DRAWN	11/13/2013	
TOLERANCES:		CHECKED	11/21/2013	
DECIMALS (INCH)	DECIMALS (MM)	ANGLES		
.XX ± .02	.X ± .5	±2°		
SURFACE FINISH:		MFG APPRV	11/22/2013	
MACHINED	3.2µ [128µin]	CHB		
MOLDED	1.6µ [64µin]	QC APPRV	11/22/2013	
MATERIAL:		UFN		
SEE TABLE		ENG APPRV	11/22/2013	
FINISH:		BD		
SIZE	A	DWG NO.	115318S1	REV. 0
SCALE	NONE	CADFILE	04093	SHEET 1 OF 1

REV.	DESCRIPTION	APPRV	DATE
REVISIONS			