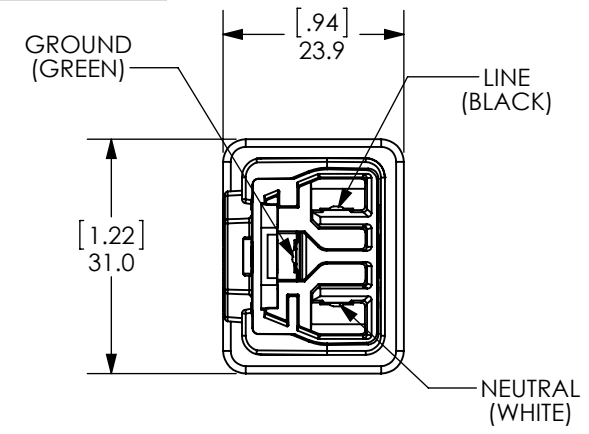
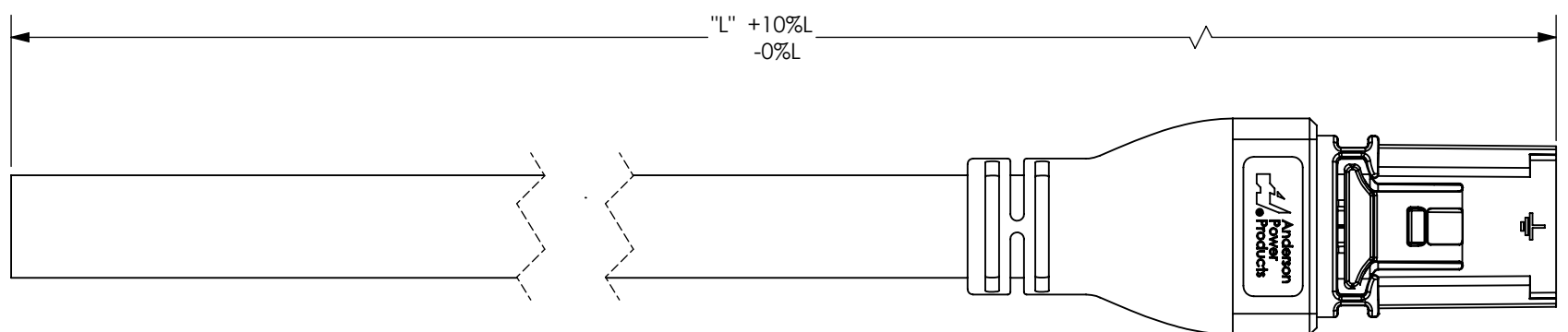


THE INFORMATION CONTAINED IN THIS DRAWING IS THE SOLE PROPERTY OF ANDERSON POWER PRODUCTS. ANY REPRODUCTION IN PART OR WHOLE WITHOUT THE WRITTEN PERMISSION OF ANDERSON POWER PRODUCTS IS PROHIBITED.

Copyright 2015

ANDERSON POWER PRODUCTS RESERVES THE RIGHT TO ALTER PRODUCT TYPES, THEIR TECHNICAL DATA, DIMENSION, STYLE AND ACCESSORIES WITHOUT PRIOR NOTIFICATION.



CONNECTOR		CABLE	
TYPE	SAF-D-GRID® 300 VOLT (3-6075P30)	TYPE	UL 62 LISTED SJT TYPE
KEY CONFIGURATION	KEY "C"(SEE NOTE 1)	CONDUCTOR SIZE / QTY.	10 / 3
APPROVAL	cURus TO UL 1977, FILE# E26226	STRANDING	104 X 30AWG
CONTACTS	COPPER ALLOY, SILVER PLATED	FLAMMABILITY / TEMP.	VW-1 / 90°C
INNER MOLD HOUSING	POLYCARBONATE, BLACK. UL 94 V-0	VOLTAGE RATING	300V AC/DC
OVERMOLD	PVC, BLACK. UL 94 V-2	JACKET	PVC, NOMINAL O.D. 14.7 [.58]
		JACKET COLOR	BLACK

OVERALL RATINGS AND SPECIFICATIONS	
VOLTAGE	300V AC/DC
CURRENT	30A
MAXIMUM OPERATING TEMPERATURE	80°C
CERTIFICATION	INSPECTION
cURus TO UL 817, FILE # E343569	HI POT WIRE TO WIRE 2.5 kV / 3 SEC.
REACH COMPLIANT	POLARITY TESTED 100%
RoHS COMPLIANT	CONTINUITY TESTED 100%
	ELECTRICAL TESTING 100%
	VISUAL INSPECTION 100%

NOTES:
1) ONLY MATES WITH KEY "C" RECEPTACLES.

PRODUCT NUMBERING AND LENGTHS		
PART NUMBER	LENGTH "L"	
	M	FT
2350-1300-10	1.00	3.28
2350-1300-20	2.00	6.56
2350-1300-30	3.00	9.84
2350-1300-60	6.00	19.68

REV.	DESCRIPTION	APPRV	DATE
1	ECN 2016-0031 PART NUMBER RECONFIGURE	AHR	5/23/2016

DIMENSIONS ARE IN:	MM [INCH]	APPROVALS		ANDERSON POWER PRODUCTS
UNLESS OTHERWISE STATED		DRAWN	TWE 10/20/2015	
TOLERANCES:		CHECKED	AHR 10/26/2015	
DECIMALS (INCH)	DECIMALS (MM)	ANGLES	MKTG APPRV	
.XX ± .02	.X ± .5	± 2°	RJL 10/26/2015	
SURFACE FINISH:			QC APPRV	
MACHINED 3.2µ [128µin] ✓			UFN 10/26/2015	
MOLDED 1.6µ [64µin] ✓			ENG APPRV	
MATERIAL: SEE TABLE			CLY 10/26/2015	SIZE B
FINISH: N/A				DWG NO. B02241S10
3rd ANGLE PROJECTION				REV. 1
				SCALE NONE
				CADFILE 04664
				SHEET 1 OF 1

