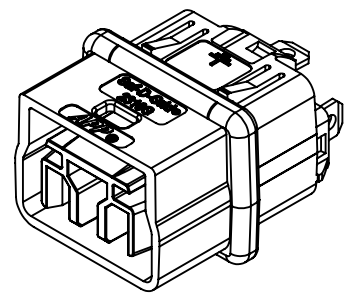


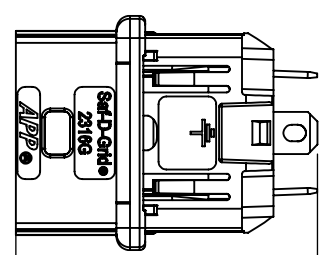
THE INFORMATION CONTAINED IN THIS DRAWING IS THE SOLE PROPERTY OF ANDERSON POWER PRODUCTS. ANY REPRODUCTION IN PART OR WHOLE WITHOUT THE WRITTEN PERMISSION OF ANDERSON POWER PRODUCTS IS PROHIBITED.

Copyright 2017

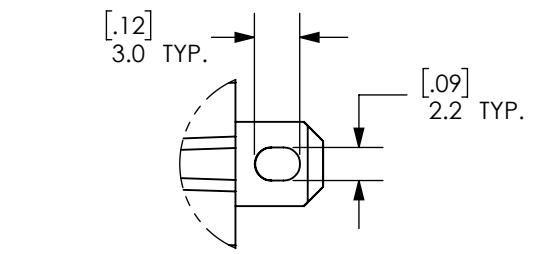
ANDERSON POWER PRODUCTS RESERVES THE RIGHT TO ALTER PRODUCT TYPES, THEIR TECHNICAL DATA, DIMENSION, STYLE AND ACCESSORIES WITHOUT PRIOR NOTIFICATION.



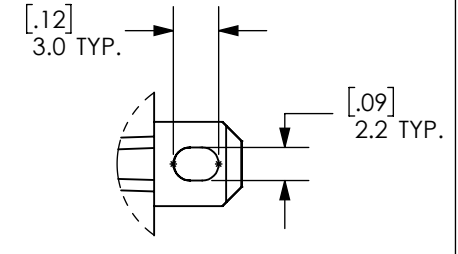
KEY "A" SHOWN



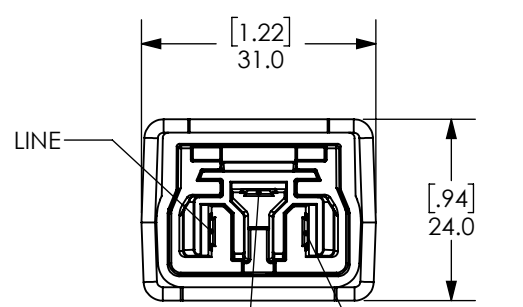
KEY "A" SHOWN



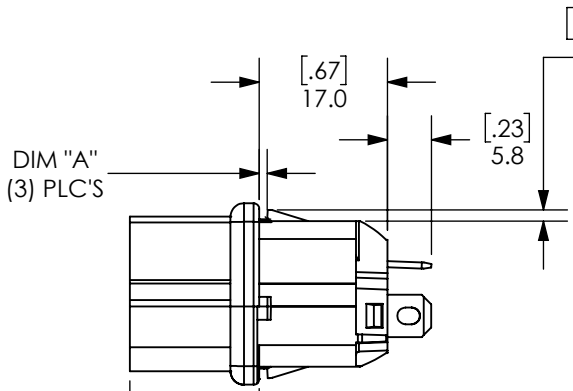
DETAIL A
SCALE 2 : 1
TYP (3) PLC'S
USE FOR 2316G AND 2326G SERIES
UP TO A 14 AWG (2.5mm²) WIRE



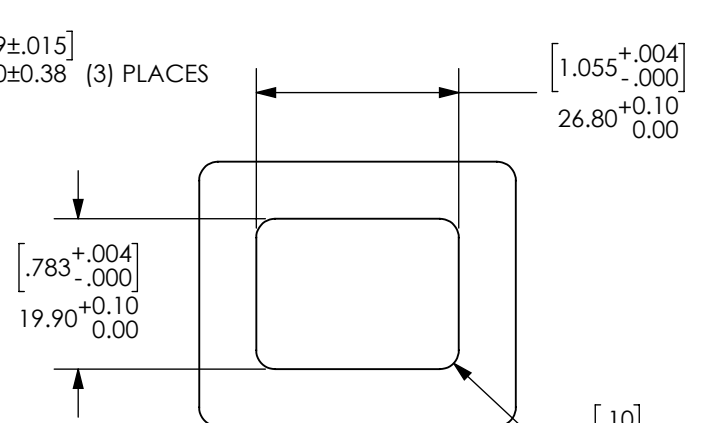
DETAIL A
SCALE 2 : 1
TYP (3) PLC'S
USE FOR 2336G SERIES
UP TO A 10 AWG (6.0mm²) WIRE



KEY "A" SHOWN



KEY "A" SHOWN



RECOMMENDED
PANEL CUT-OUT

KEY "A"	RATED CURRENT	CATALOG NUMBER	PANEL THICKNESS		DIM "A" ^{+0.15[.006]} _{-0.10[.004]}	
			INCH	MM	INCH	MM
	20 AMPS	2316G1	.031	0.80	.041	1.05
		2316G2	.047	1.20	.056	1.42
		2316G3	.039	1.00	.048	1.22
		2316G4	.063	1.60	.072	1.82
		2316G5	.079	2.00	.088	2.24
		2316G6	.098	2.50	.107	2.72
KEY "B"	RATED CURRENT	CATALOG NUMBER	PANEL THICKNESS		DIM "A" ^{+0.15[.006]} _{-0.10[.004]}	
			INCH	MM	INCH	MM
	20 AMPS	2326G1	.031	0.80	.041	1.05
		2326G2	.047	1.20	.056	1.42
		2326G3	.039	1.00	.048	1.22
		2326G4	.063	1.60	.072	1.82
		2326G5	.079	2.00	.088	2.24
		2326G6	.098	2.50	.107	2.72
KEY "C"	RATED CURRENT	CATALOG NUMBER	PANEL THICKNESS		DIM "A" ^{+0.15[.006]} _{-0.10[.004]}	
			INCH	MM	INCH	MM
	32 AMPS	2336G1	.031	0.80	.041	1.05
		2336G2	.047	1.20	.056	1.42
		2336G3	.039	1.00	.048	1.22
		2336G4	.063	1.60	.072	1.82
		2336G5	.079	2.00	.088	2.24
		2336G6	.098	2.50	.107	2.72

- NOTES:
- HOUSING MATERIAL: HIGH TEMP. NYLON + 30% GF, UL 94 V-0, HALOGEN FREE, GWIT 700°C
 - SPRING MATERIAL: STAINLESS STEEL
 - CONTACT MATERIAL: SILVER PLATED COPPER ALLOY
 - FOR USE WITH IEC320 C14 PANEL CUT-OUTS
 - ELECTRICAL RATING: 300V FOR CURRENT INTERRUPTION
 - TEMPERATURE RATING: 105°C

REV.	DESCRIPTION	APPRV	DATE
3	ECN 2017-0049 - ADDED NOTES 5 AND 6	CPD	5/19/2017
2	ECN 2016-0076 - ADDED BREAK AND 1.50mm DIMENSION	CPD	12/7/2016
1	ECRN-15878 AMPERAGE AND WIRE CHANGE	AHR	10/14/2015

DIMENSIONS ARE IN:	MM [INCH]	APPROVALS		ANDERSON POWER PRODUCTS		
UNLESS OTHERWISE STATED		DRAWN	AHR	5/29/2015	TITLE SAF-D-GRID® RECEPTACLE ASSEMBLY WITH CONTACTS 2300 SERIES	
TOLERANCES:		CHECKED	RJL	5/29/2015		
DECIMALS (INCH) DECIMALS (MM) ANGLES	.XX ± .02 .X ± .5 ± 2°	MFG APPRV	CHB	6/12/2015		
SURFACE FINISH:		QC APPRV	ASF	6/15/2015		
MACHINED 3.2µ [128µin]	✓	MATERIAL:	SEE NOTES		SIZE	B
MOLDED 1.6µ [64µin]	✓	FINISH:	N/A		DWG NO.	B02240S1
					REV.	3
					SCALE	NONE
					CADFILE	04362
					SHEET	1 OF 1

E

D

C

B

A

E

D

C

B

A

8

7

6

5

4

3

2

1