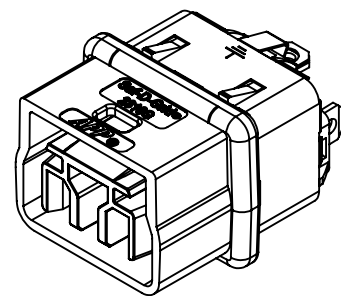


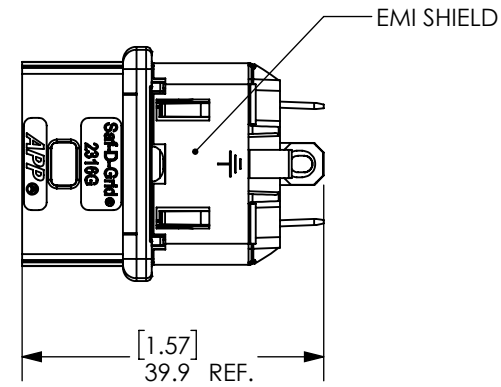
THE INFORMATION CONTAINED IN THIS DRAWING IS THE SOLE PROPERTY OF ANDERSON POWER PRODUCTS. ANY REPRODUCTION IN PART OR WHOLE WITHOUT THE WRITTEN PERMISSION OF ANDERSON POWER PRODUCTS IS PROHIBITED.

Copyright 2017

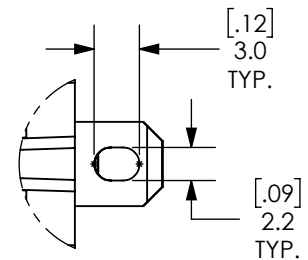
ANDERSON POWER PRODUCTS RESERVES THE RIGHT TO ALTER PRODUCT TYPES, THEIR TECHNICAL DATA, DIMENSION, STYLE AND ACCESSORIES WITHOUT PRIOR NOTIFICATION.



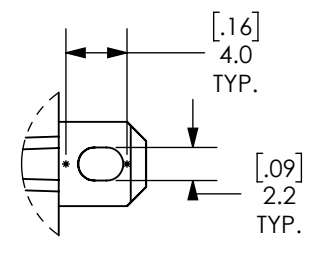
KEY "A" SHOWN



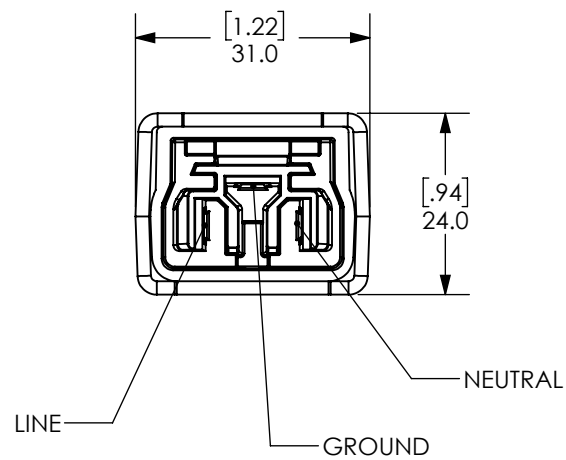
KEY "A" SHOWN



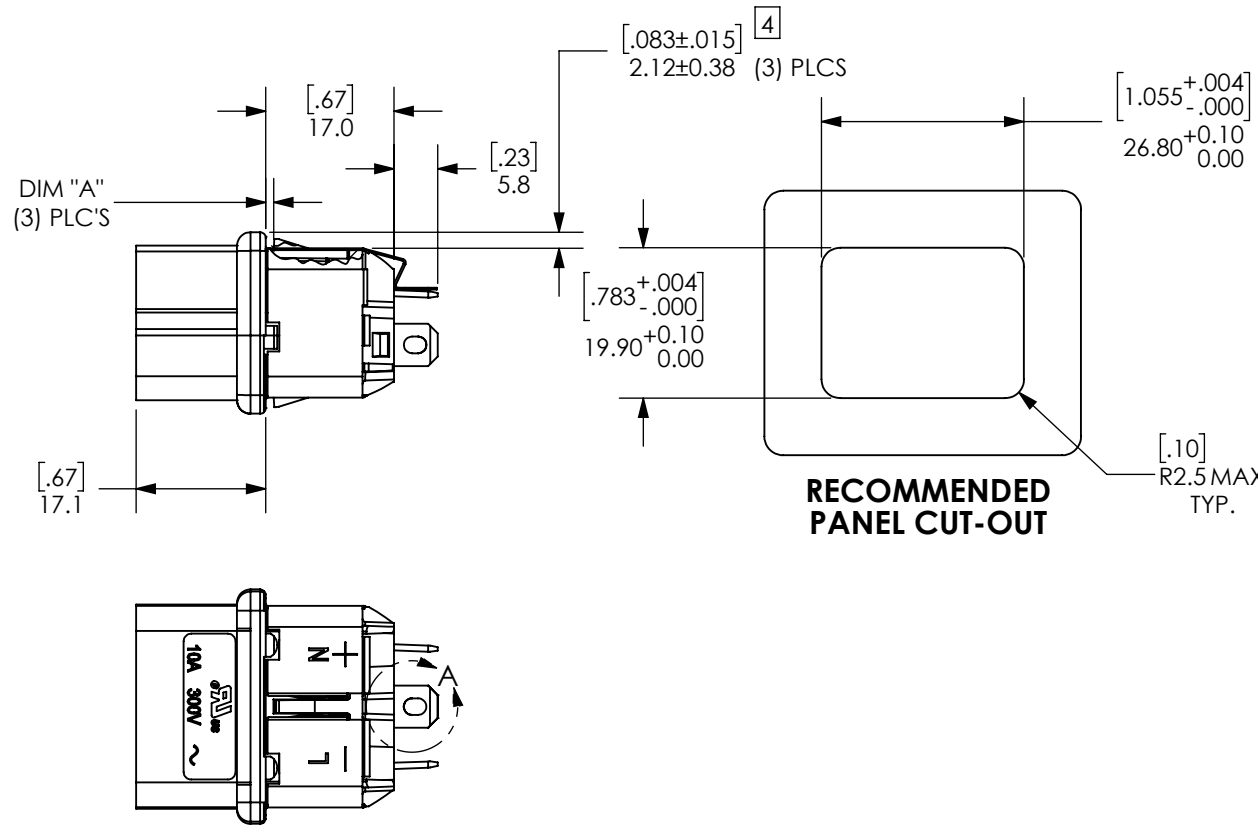
DETAIL A
SCALE 2 : 1
TYP (3) PLC'S
USE FOR 2316G AND 2326G SERIES
UP TO A 14 AWG (2.5mm²) WIRE



DETAIL A
SCALE 2 : 1
TYP (3) PLC'S
USE FOR 2336G SERIES
UP TO A 10 AWG (6.0mm²) WIRE



KEY "A" SHOWN



RECOMMENDED
PANEL CUT-OUT

KEY "A"	RATED CURRENT	CATALOG NUMBER	PANEL THICKNESS		DIM "A" ^{+0.15[.006]} _{-0.10[.004]}	
			INCH	MM	INCH	MM
	20 AMPS	2316G1S	.031	0.80	.041	1.05
		2316G2S	.047	1.20	.056	1.42
		2316G3S	.039	1.00	.048	1.22
		2316G4S	.063	1.60	.072	1.82
		2316G5S	.079	2.00	.088	2.24
		2316G6S	.098	2.50	.107	2.72
KEY "B"	RATED CURRENT	CATALOG NUMBER	PANEL THICKNESS		DIM "A" ^{+0.15[.006]} _{-0.10[.004]}	
			INCH	MM	INCH	MM
	20 AMPS	2326G1S	.031	0.80	.041	1.05
		2326G2S	.047	1.20	.056	1.42
		2326G3S	.039	1.00	.048	1.22
		2326G4S	.063	1.60	.072	1.82
		2326G5S	.079	2.00	.088	2.24
		2326G6S	.098	2.50	.107	2.72
KEY "C"	RATED CURRENT	CATALOG NUMBER	PANEL THICKNESS		DIM "A" ^{+0.15[.006]} _{-0.10[.004]}	
			INCH	MM	INCH	MM
	32 AMPS	2336G1S	.031	0.80	.041	1.05
		2336G2S	.047	1.20	.056	1.42
		2336G3S	.039	1.00	.048	1.22
		2336G4S	.063	1.60	.072	1.82
		2336G5S	.079	2.00	.088	2.24
		2336G6S	.098	2.50	.107	2.72

- NOTES:
- HOUSING MATERIAL: HIGH TEMP. NYLON + 30% GF, UL 94 V-0, HALOGEN FREE, GWIT 700°C
 - SPRING MATERIAL: STAINLESS STEEL
 - CONTACT MATERIAL: SILVER PLATED COPPER ALLOY
 - SHIELD MATERIAL: TIN PLATED STEEL
 - FOR USE WITH IEC320 C14 PANEL CUT-OUTS
 - ELECTRICAL RATING: 300V FOR CURRENT INTERRUPTION
 - TEMPERATURE RATING: 105°C

REV.	DESCRIPTION	APPRV	DATE
5	ECN 2017-0049 - ADDE NOTES 6 AND 7.	CPD	5/19/2017
4	ECN 2016-0076 - ADDED BREAK AND 2.12mm DIMENSION	CPD	12/7/2016
3	ECRN-15905 CORRECTED KEY ANONOTATION	AHR	2/11/2016
2	ECRN-15901 UPDATED AMPERAGE	AHR	1/27/2016
REVISIONS			

DIMENSIONS ARE IN: MM [INCH]

UNLESS OTHERWISE STATED

TOLERANCES:
DECIMALS (INCH) DECIMALS (MM) ANGLES
.XX ± .02 .X ± .5 ± 2°

SURFACE FINISH:
MACHINED 3.2µ [128µin] ✓
MOLDED 1.6µ [64µin] ✓

MATERIAL: SEE NOTES

FINISH: N/A

3rd ANGLE PROJECTION

ANDERSON POWER PRODUCTS

TITLE: SAF-D-GRID® RECEPTACLE ASSEMBLY WITH SHIELD 2300 SERIES

SIZE: B DWG NO.: B02240S2 REV.: 5

SCALE: NONE CADFILE: 04406 SHEET: 1 OF 1