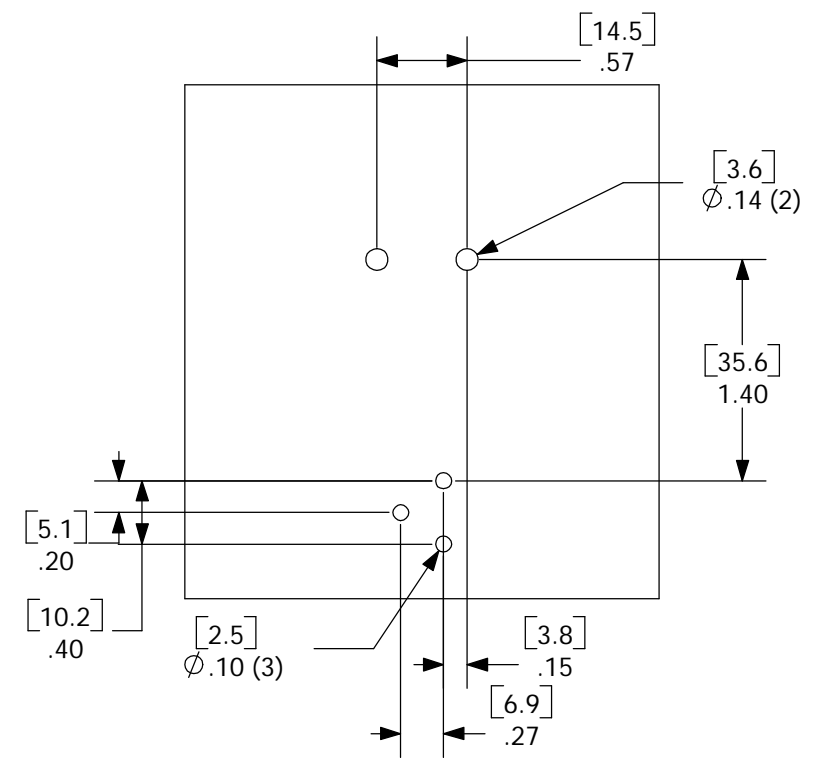


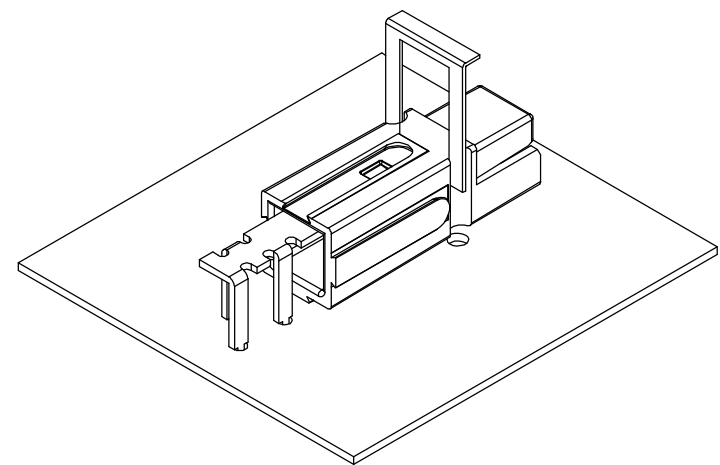
THE INFORMATION CONTAINED IN THIS DRAWING IS THE SOLE PROPERTY OF ANDERSON POWER PRODUCTS. ANY REPRODUCTION IN PART OR WHOLE WITHOUT THE WRITTEN PERMISSION OF ANDERSON POWER PRODUCTS IS PROHIBITED.

ANDERSON POWER PRODUCTS RESERVES THE RIGHT TO ALTER PRODUCT TYPES, THEIR TECHNICAL DATA, DIMENSION, STYLE AND ACCESSORIES WITHOUT PRIOR NOTIFICATION.

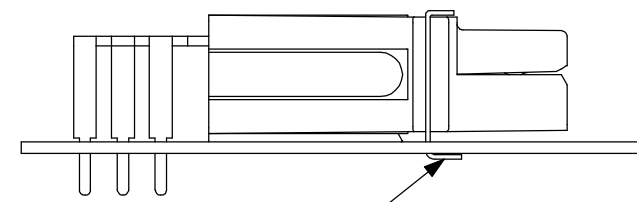
| | |
|------------------------|----|
| DATE | ** |
| BY: | ** |
| DESCRIPTION OF CHANGES | ** |
| REV. | ** |



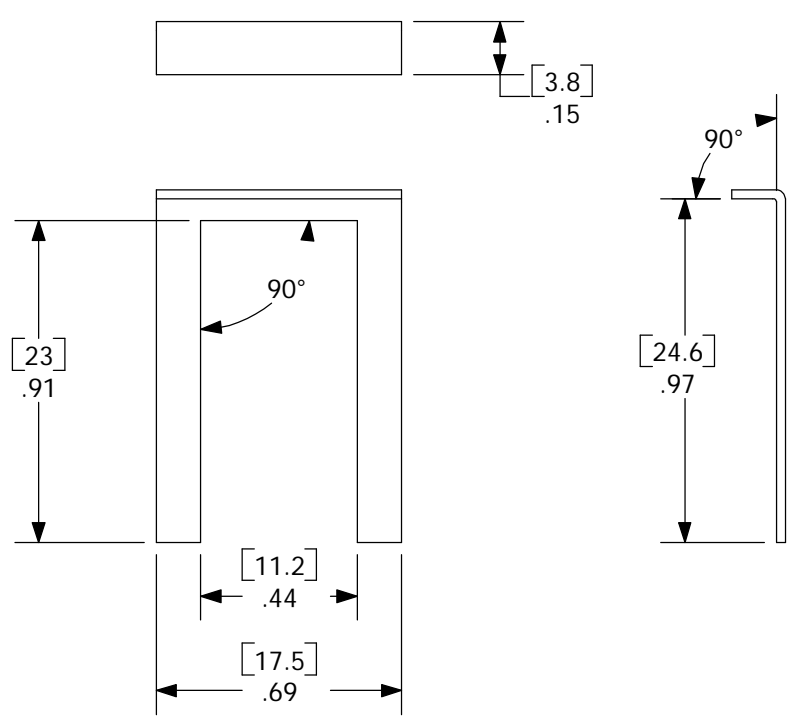
TYPICAL USE



SLIDE STAPLE OVER HOUSING AND INTO HOLES IN THE BOARD



FASTEN STAPLE BY BENDING THE LEADS ON THE BOTTOM OF THE BOARD



| | |
|-------------|----------------------|
| NEXT ASSY | USED ON |
| APPLICATION | DO NOT SCALE DRAWING |

| ITEM NO. | PART OR IDENTIFYING NO. | NOMENCLATURE OR DESCRIPTION | MATERIAL SPECIFICATION | QTY REQD |
|---|-------------------------|--|------------------------|----------|
| COPYRIGHT 2001 ANDERSON POWER PRODUCTS. ALL RIGHTS RESERVED. UNAUTHORIZED REPRODUCTION HEREBY PROHIBITED. | | | | |
| DIMENSIONS ARE IN INCHES DIMENSIONS IN PARENTHESES [] ARE IN MILLIMETERS | | CAD GENERATED DRAWING. DO NOT MANUALLY UPDATE | | |
| TOLERANCES ARE: 2PL- ±.02 [±.5] | | ANDERSON POWER PRODUCTS | | |
| MATERIALS: AL, .025 THK | | POWERPOLE 75 STAPLE SINGLEPOLE | | |
| FINISH <input checked="" type="checkbox"/> | | SIZE A SPECIFICATION: 114329S1 REV. 0 | | |
| SCALE NONE | | CADFILES/01476 SHEET 1 OF 1 | | |

8 7 6 5 4 3 2 1

D

C

B

A

8 7 6 5 4 3 2 1