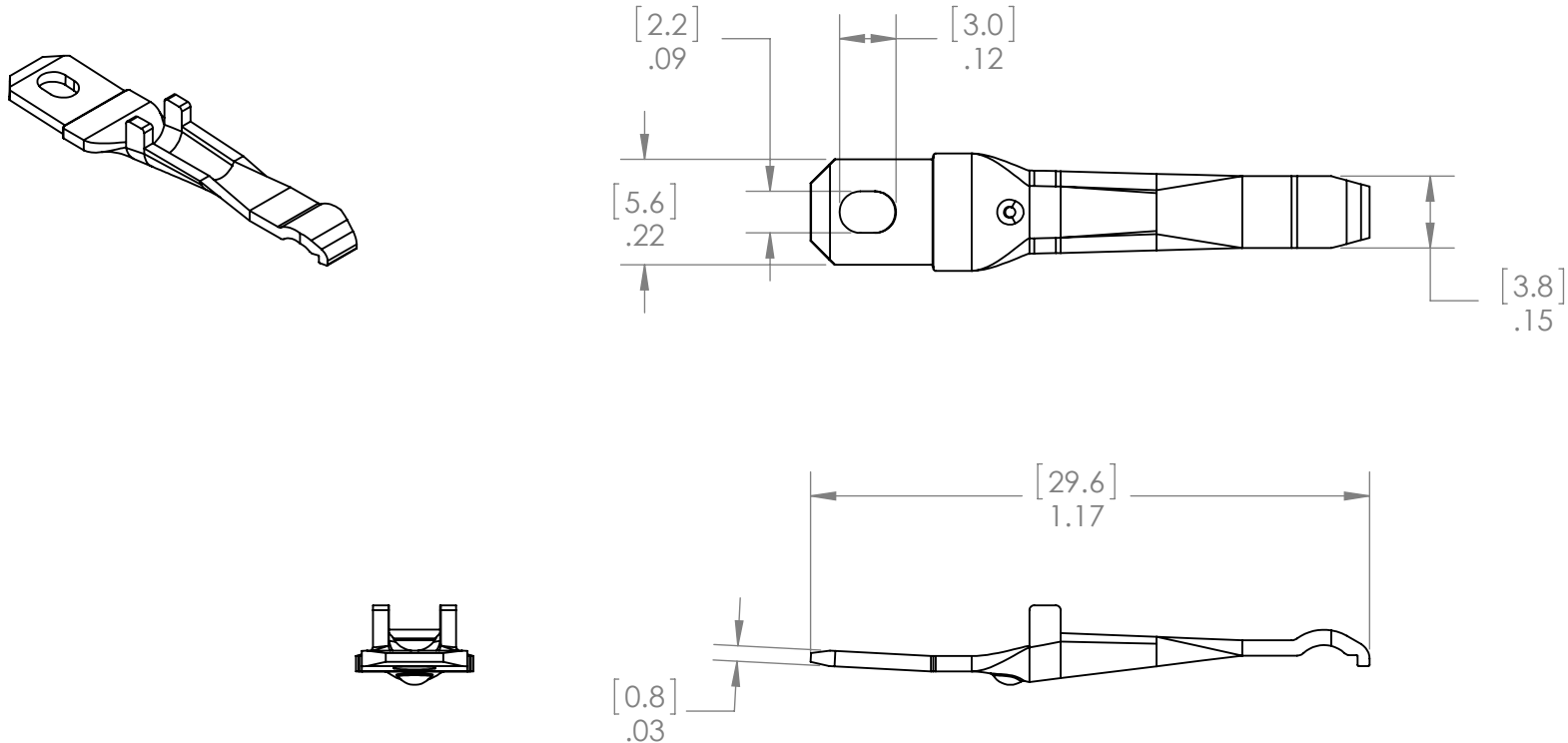


THE INFORMATION CONTAINED IN THIS DRAWING IS THE SOLE PROPERTY OF ANDERSON POWER PRODUCTS. ANY REPRODUCTION IN PART OR WHOLE WITHOUT THE WRITTEN PERMISSION OF ANDERSON POWER PRODUCTS IS PROHIBITED.

Copyright 2012

ANDERSON POWER PRODUCTS RESERVES THE RIGHT TO ALTER PRODUCT TYPES, THEIR TECHNICAL DATA, DIMENSION, STYLE AND ACCESSORIES WITHOUT PRIOR NOTIFICATION.



NOTES:

- FOR USE WITH ULTRA SHORT SAF-D-GRID® RECEPTACLE HOUSINGS (2006G SERIES).
- CATALOG NUMBER: 2016G1-LPBK (LOOSE PIECE).
- FINISH: 50 μINCH [1.27 μM] SILVER PLATE.

3

REV.	DESCRIPTION	APPRV	DATE
3	ECRN 15619	CLY	4/25/2014
2	ECRN 15410	CLY	5/28/2013
1	ECRN 15242	CLY	9/25/2012

REVISIONS

DIMENSIONS ARE IN:	INCH [MM]	APPROVALS		ANDERSON POWER PRODUCTS TITLE RECEPTACLE CONTACT FOR SAF-D-GRID® ULTRA SHORT
UNLESS OTHERWISE STATED		DRAWN		
TOLERANCES:		CHECKED		
DECIMALS (INCH)	DECIMALS (MM)	ANGLES		
.XX ± .02	.X ± .5	±2°		
SURFACE FINISH:		MFG APPRV		
MACHINED 128μin [3.2μ]		LLD	6/13/2012	
MOLDED 64μin [1.6μ]		QC APPRV		
MATERIAL:		UFN	6/13/2012	
COPPER ALLOY		ENG APPRV		
FINISH:		BD	6/13/2012	
SEE NOTES				
3rd ANGLE PROJECTION		-CAD GENERATED DRAWING- DO NOT MANUALLY UPDATE DO NOT SCALE		
		SIZE	DWG NO.	REV.
		A	115173S1	3
		SCALE	CADFILE	SHEET
		NONE	03746	1 OF 1