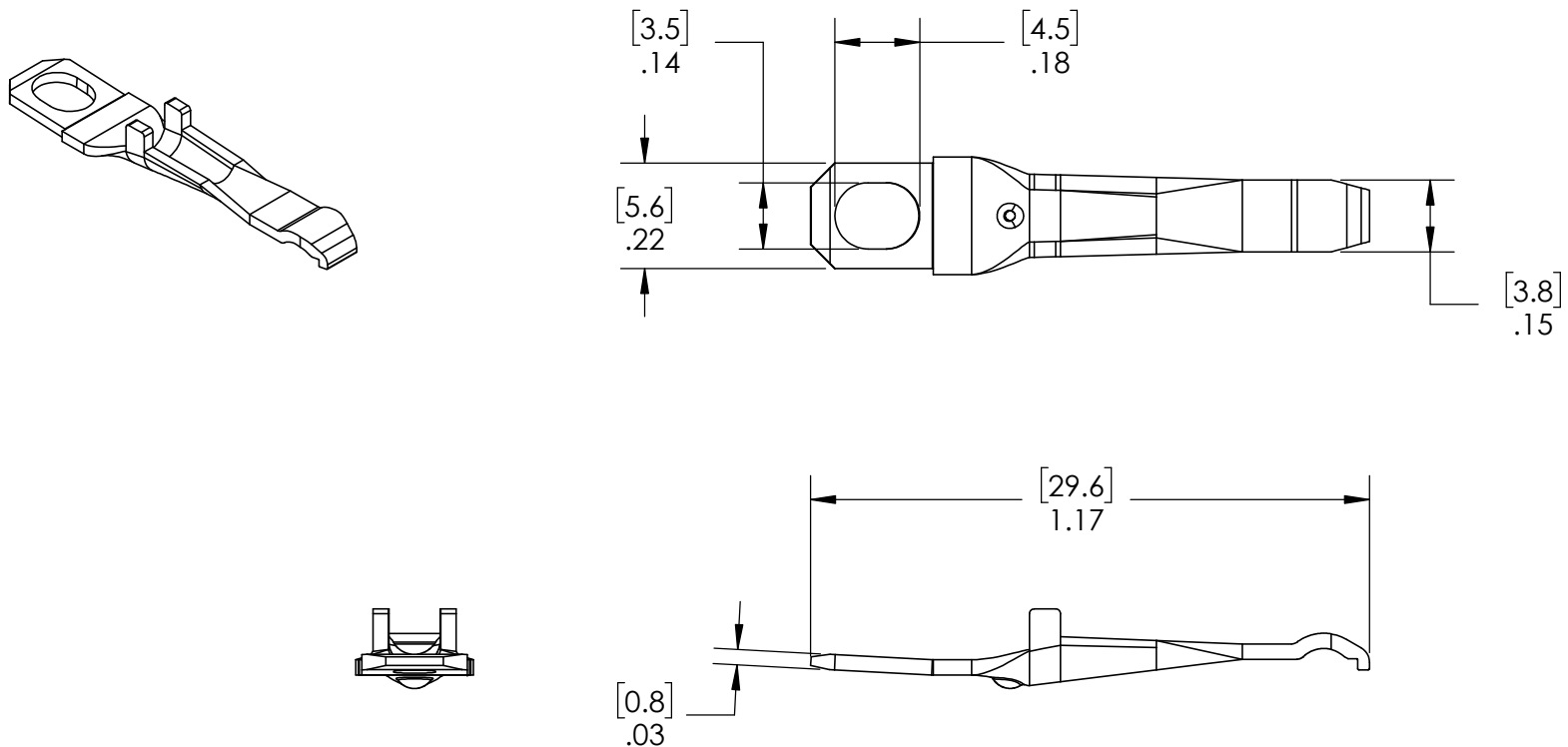


THE INFORMATION CONTAINED IN THIS DRAWING IS THE SOLE PROPERTY OF ANDERSON POWER PRODUCTS. ANY REPRODUCTION IN PART OR WHOLE WITHOUT THE WRITTEN PERMISSION OF ANDERSON POWER PRODUCTS IS PROHIBITED.

Copyright 2016

ANDERSON POWER PRODUCTS RESERVES THE RIGHT TO ALTER PRODUCT TYPES, THEIR TECHNICAL DATA, DIMENSION, STYLE AND ACCESSORIES WITHOUT PRIOR NOTIFICATION.



NOTES:

- FOR USE WITH ULTRA SHORT SAF-D-GRID® RECEPTACLE HOUSINGS (2007G, 2300G SERIES).
- CATALOG NUMBER: 2016G2-LPBK (LOOSE PIECE).
- FINISH: 50 μINCH [1.27 μM] SILVER PLATE.

DIMENSIONS ARE IN: INCH [MM]		APPROVALS		ANDERSON POWER PRODUCTS TITLE SAF-D-GRID® ULTRA SHORT RECEPTACLE CONTACT 10-12AWG 4.0-2.5MM²		
UNLESS OTHERWISE STATED		DRAWN	9/20/2016			
TOLERANCES:		CHECKED	9/20/2016			
DECIMALS (INCH)	DECIMALS (MM)	PM APPRV	9/20/2016			
.XX ± .02	.X ± .5	QC APPRV	9/20/2016			
SURFACE FINISH:		ENG APPRV	9/20/2016	SIZE	DWG NO.	REV.
MACHINED	128μin [3.2μ]	CYL		A	115173S2	0
MOLDED	64μin [1.6μ]			NONE	04827	1 OF 1
MATERIAL: COPPER ALLOY		-CAD GENERATED DRAWING- DO NOT MANUALLY UPDATE DO NOT SCALE		SCALE	CADFILE	SHEET
FINISH: SEE NOTES				NONE	04827	1 OF 1

REV.	DESCRIPTION	APPRV	DATE
REVISIONS			