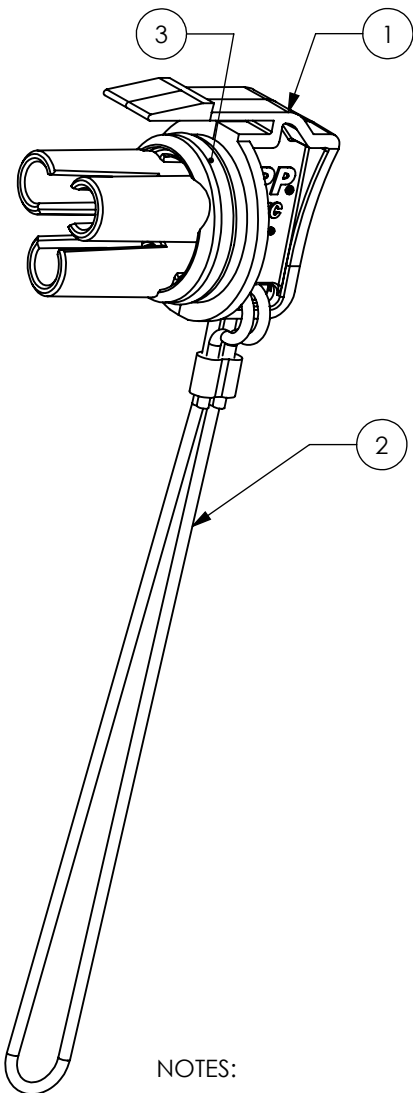


THE INFORMATION CONTAINED IN THIS DRAWING IS THE SOLE PROPERTY OF ANDERSON POWER PRODUCTS. ANY REPRODUCTION IN PART OR WHOLE WITHOUT THE WRITTEN PERMISSION OF ANDERSON POWER PRODUCTS IS PROHIBITED.

Copyright 2013

ANDERSON POWER PRODUCTS RESERVES THE RIGHT TO ALTER PRODUCT TYPES, THEIR TECHNICAL DATA, DIMENSION, STYLE AND ACCESSORIES WITHOUT PRIOR NOTIFICATION.



ITEM NO.	QTY.	DESCRIPTION
1	1	MINI 3PL MALE COVER
2	1	.8-.9mm x 300mm- SINGLE CRIMP
3	1	O-RING

NOTES:

- MATERIALS:
COVER- PC, UL94 V-0, BLK
LANYARD- BRAIDED POLYESTER CORD
O-RING- NBR, BLACK
- FOR USE ON SK1-019M03

DIMENSIONS ARE IN: MM [INCH]		APPROVALS		<p>ANDERSON POWER PRODUCTS</p> <p>TITLE</p> <p>SPEC PAK® MINI 3PL MALE COVER- CAT. NO. SK9M-019</p>
UNLESS OTHERWISE STATED		DRAWN	11/7/2013	
TOLERANCES:		CMS		
DECIMALS (INCH)	DECIMALS (MM)	CHECKED	11/8/2013	
.XX ± .02	.X ± .5	NTS		
SURFACE FINISH:		MFG APPRV	11/8/2013	
MACHINED	3.2µ [128µin]	CHB		
MOLDED	1.6µ [64µin]	QC APPRV	11/8/2013	
MATERIAL: SEE NOTES		UFN		
FINISH:		ENG APPRV	11/8/2013	
		BD		
		SIZE	DWG NO.	REV.
		A	115293S1	1
		SCALE	CADFILE	SHEET
		NONE	04089	1 OF 1

REV.	DESCRIPTION	APPRV	DATE
1	ECRN 15815	CMS	4/30/2015
REVISIONS			