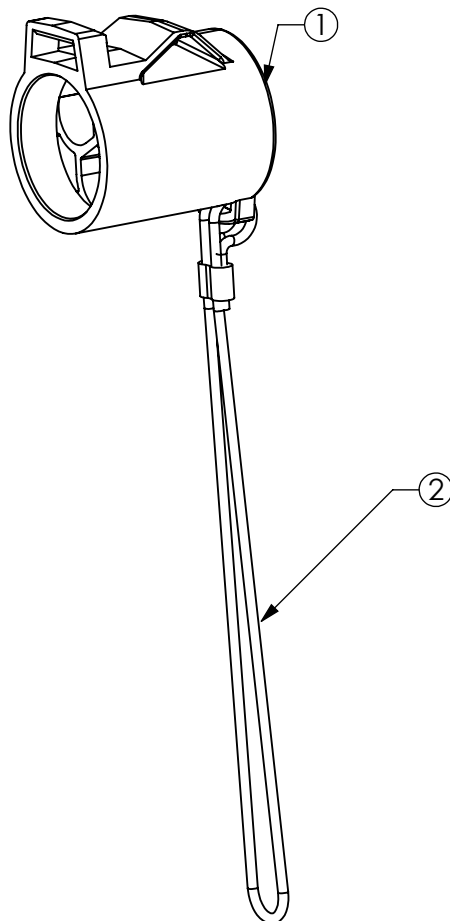


THE INFORMATION CONTAINED IN THIS DRAWING IS THE SOLE PROPERTY OF ANDERSON POWER PRODUCTS. ANY REPRODUCTION IN PART OR WHOLE WITHOUT THE WRITTEN PERMISSION OF ANDERSON POWER PRODUCTS IS PROHIBITED.

Copyright 2013

ANDERSON POWER PRODUCTS RESERVES THE RIGHT TO ALTER PRODUCT TYPES, THEIR TECHNICAL DATA, DIMENSION, STYLE AND ACCESSORIES WITHOUT PRIOR NOTIFICATION.

ITEM	QTY	DESCRIPTION
1	1	MINI 3PL FEMALE COVER
2	1	BRAIDED CORD LANYARD



NOTES:

- MATERIALS:
COVER- PC, UL94 V-0, BLK
LANYARD- BRAIDED POLYESTER CORD
- FOR USE ON SK6-019M03 OR SK7-019M03

DIMENSIONS ARE IN:	MM [INCH]	APPROVALS		 ANDERSON POWER PRODUCTS TITLE SPEC PAK® MINI 3 PL FEMALE COVER CAT. NO. SK9F-019
UNLESS OTHERWISE STATED		DRAWN CMS	11/13/2013	
TOLERANCES:		CHECKED NTS	11/21/2013	
DECIMALS (INCH) DECIMALS (MM) ANGLES .XX ± .02 .X ± .5 ±2°		MFG APPRV CHB	11/22/2013	
SURFACE FINISH:		QC APPRV UFN	11/22/2013	SIZE A DWG NO. 115319S1 REV. 1
MACHINED 3.2µ [128µin] ✓ MOLDED 1.6µ [64µin] ✓		ENG APPRV BD	11/22/2013	
MATERIAL: SEE NOTES FINISH:		-CAD GENERATED DRAWING- DO NOT MANUALLY UPDATE DO NOT SCALE		
		SCALE NONE	CADFILE 04094	SHEET 1 OF 1

1	ECRN 15815	CMS	4/30/2015
REV.	DESCRIPTION	APPRV	DATE
REVISIONS			