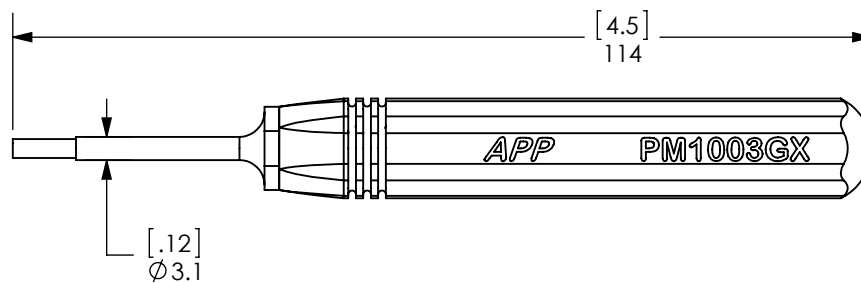
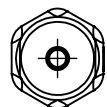
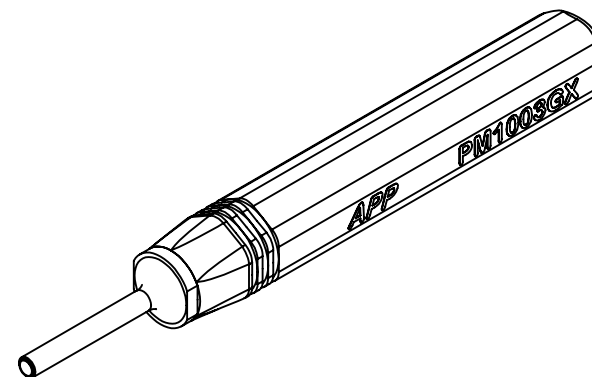


THE INFORMATION CONTAINED IN THIS DRAWING IS THE SOLE PROPERTY OF ANDERSON POWER PRODUCTS. ANY REPRODUCTION IN PART OR WHOLE WITHOUT THE WRITTEN PERMISSION OF ANDERSON POWER PRODUCTS IS PROHIBITED.


Copyright 2015

ANDERSON POWER PRODUCTS RESERVES THE RIGHT TO ALTER PRODUCT TYPES, THEIR TECHNICAL DATA, DIMENSION, STYLE AND ACCESSORIES WITHOUT PRIOR NOTIFICATION.



NOTES:

1. REFER TO 1S6640 FOR USER INSTRUCTIONS
2. MATERIALS:
 - HANDLE- ALUMINUM
 - MANDREL/TUBE - STAINLESS STEEL

DIMENSIONS ARE IN: MM [INCH]		<i>APPROVALS</i>		 ANDERSON POWER PRODUCTS TITLE CAT. NO. PM1003GX: POWERMOD CONTACT INSERTION PROOF TOOL
UNLESS OTHERWISE STATED		DRAWN	2/26/2015	
TOLERANCES:		CHECKED	3/13/2015	
DECIMALS (INCH)	DECIMALS (MM)	ANGLES		
.XX ±.02	.X ±.5	±2°		
SURFACE FINISH:		MFG APPRV	3/13/2015	
MACHINED	3.2µ [128µin]	CHB		
MOLDED	1.6µ [64µin]	QC APPRV	3/16/2015	
MATERIAL: SEE NOTES		ASF		
FINISH:		ENG APPRV	3/16/2015	
		CLY		
SIZE	DWG NO.	REV.		
A	115432S1	0		
SCALE	CADFILE	SHEET		
NONE	04474	1 OF 1		

REV.	DESCRIPTION	APPRV	DATE
REVISIONS			