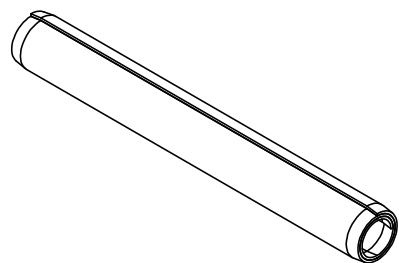
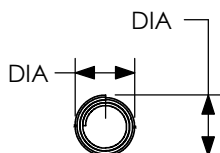
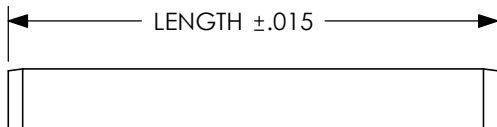
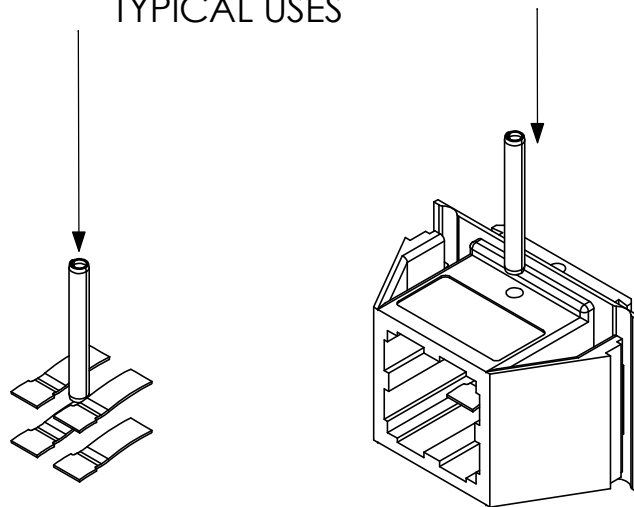


THE INFORMATION CONTAINED IN THIS DRAWING IS THE SOLE PROPERTY OF ANDERSON POWER PRODUCTS. ANY REPRODUCTION IN PART OR WHOLE WITHOUT THE WRITTEN PERMISSION OF ANDERSON POWER PRODUCTS IS PROHIBITED.

Copyright 2011

ANDERSON POWER PRODUCTS RESERVES THE RIGHT TO ALTER PRODUCT TYPES, THEIR TECHNICAL DATA, DIMENSION, STYLE AND ACCESSORIES WITHOUT PRIOR NOTIFICATION.

TYPICAL USES



CAT. NO.	CONNECTOR	DESCRIPTION	DIAMETER ¹⁶		LENGTH		MAT.
			IN	MM	IN ±.015	MM ±.38	
110G9	PP PAK PLUG/REC	2-HIGH BLOCK	.093/.099	2.36/2.51	0.85	21.59	NICKEL SS
110G16	PP15/45	1-HIGH BLOCK	.093/.103	2.36/2.62	0.25	6.35	HIGH CARBON STEEL
110G17	PP15/45	2-HIGH BLOCK	.093/.103	2.36/2.62	0.44	11.18	NICKEL SS
110G18	PP75	2-HIGH BLOCK	.196/.207	4.98/5.26	1.00	25.40	NICKEL SS
110G18	PP180	1-HIGH BLOCK	.196/.207	4.98/5.26	1.00	25.40	NICKEL SS
110G19	PP75, PP120	1-HIGH BLOCK	.196/.207	4.98/5.26	0.56	14.22	NICKEL SS ¹⁴
110G20	PP120, PP180	2-HIGH BLOCK	.196/.207	4.98/5.26	1.50	38.10	NICKEL SS
110G59	SBE/X AUX KIT	1-HIGH BLOCK	.093/.103	2.36/2.62	1.00	25.40	NICKEL SS ¹⁶

D

D

C

C

B

B

A

A

REV.	DESCRIPTION	APPRV	DATE	DIMENSIONS ARE IN:	INCH [MM]	APPROVALS		ANDERSON POWER PRODUCTS				
16	ECN 2016-0068 CORRECTED DIMENSION ON TABLE	CPD	8/9/2016	UNLESS OTHERWISE STATED TOLERANCES: DECIMALS (INCH) DECIMALS (MM) ANGLES .XX ± .015 .X ± .38 ±.5° .XXX ± .005 .XX ± .13	DRAWN LVR 8/31/1988	CHECKED HHR 8/31/1988	MFG APPRV CHB 10/23/2001	QC APPRV RPO 10/23/2001	ENG APPRV HHR 8/31/1988	TITLE		
16	ECRN-15383 CORRECTED PP15/45 SPIROL PIN DIM'S	NTS	4/24/2013							SPIROL® RETAINING PINS FOR POWERPOLES		
14	ECRN 15109: CHANGED MATERIAL OF 110G19, SOME INCORRECT DIMENSIONS, AND SPELLING ERRORS	JHN	4/24/2012							SURFACE FINISH: MACHINED 128µin [3.2µ] MOLDED 64µin [1.6µ]		
13	ECRN-15028: UPDATED DRAWING TABLE, TITLE BLOCK, AND VIEWS	JHN	12/13/2011							MATERIAL: SEE TABLE		
12	ECRN-14925 TABLE REVISION	TWE	6/20/2011							FINISH: -		
REVISIONS						-CAD GENERATED DRAWING- DO NOT MANUALLY UPDATE DO NOT SCALE		SIZE A	DWG NO. 111812S1	REV. 16		
						SCALE 4:1		CADFILE 01132		SHEET 1 OF 1		