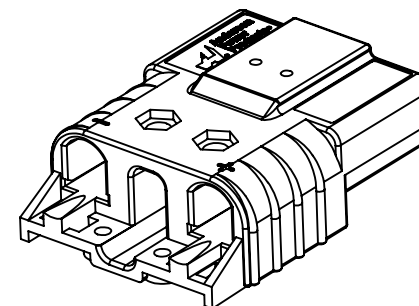
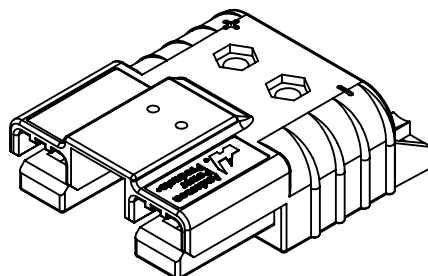
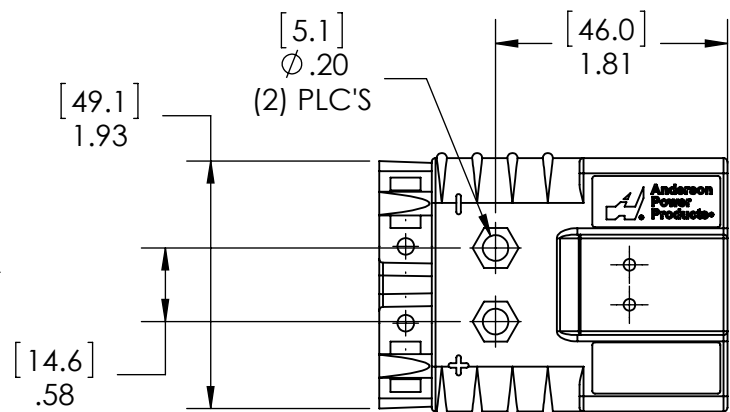


THE INFORMATION CONTAINED IN THIS DRAWING IS THE SOLE PROPERTY OF ANDERSON POWER PRODUCTS. ANY REPRODUCTION IN PART OR WHOLE WITHOUT THE WRITTEN PERMISSION OF ANDERSON POWER PRODUCTS IS PROHIBITED.

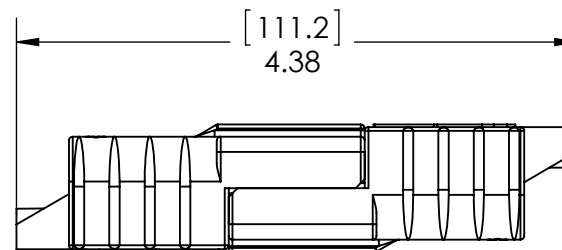
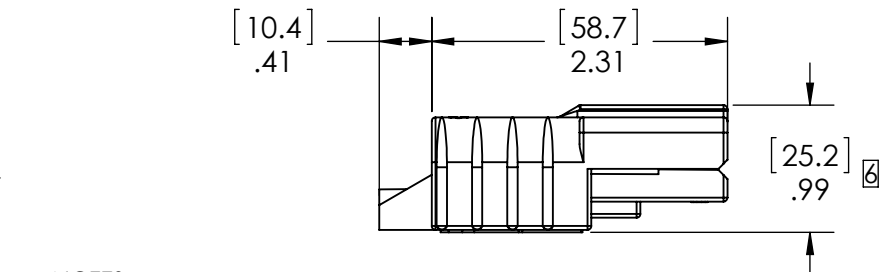
**Copyright 2004**

ANDERSON POWER PRODUCTS RESERVES THE RIGHT TO ALTER PRODUCT TYPES, THEIR TECHNICAL DATA, DIMENSION, STYLE AND ACCESSORIES WITHOUT PRIOR NOTIFICATION.

D



C





**NOTES:**

1. SBO 60 SPRING/HOUSING ASSEMBLIES ARE UL RECOGNIZED PER FILE E26226, CSA CERTIFIED PER LR25154.
2. HOUSINGS ARE KEYED TO ONLY ALLOW MATING WITH THE SAME COLOR HOUSING.
3. FOR ASSEMBLY INSTRUCTIONS SEE DOCUMENT 1S6331.
4. MATERIAL:  
HOUSINGS - PBT, UL94V0  
SPRINGS - STAINLESS STEEL
5. OPTIONAL AUXILIARY POWERPOLE HOUSINGS AND CONTACTS AVAILABLE.

B

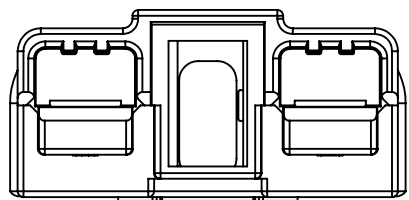
A

REV.	DESCRIPTION	APPRV	DATE	DIMENSIONS ARE IN:	INCH [MM]	APPROVALS		 <b>ANDERSON POWER PRODUCTS</b> TITLE SBE 80/SBO60 HOUSING AND SPRING ASSEMBLY OUTLINE DRAWING		
				UNLESS OTHERWISE STATED		DRAWN				
7	ECRN-15822A REVISE, REDRAW FOR NEW MOLD	AHR	5/7/2015	TOLERANCES: DECIMALS (INCH) DECIMALS (MM) ANGLES .XX ± .02 .X ± .5 ± 2°	AMP	4/14/2004	SIZE A	DWG NO. 114129S1	REV. 7	
6	ECRN-15733	TWE	10/17/2014		CHECKED	DJD				4/15/2004
5	ECRN-15727	TWE	10/9/2014	SURFACE FINISH:		MFG APPRV				DAM 4/15/2004
4	ECRN-14934 COLOR KEYING ADDED	TWE	7/11/11	MACHINED	128µin [3.2µ]	MAW				
3	ECRN-13812 CREATE SEPARATE SBE80 DWG	AMP	4/5/05	MOLDED	64µin [1.6µ]	QC APPRV				RPO
2	ECRN-13685 UPDATE LOGO	AMP	3/1/05	MATERIAL: SEE NOTES		ENG APPRV		SCALE	CADFILE	SHEET
				FINISH:		-CAD GENERATED DRAWING- DO NOT MANUALLY UPDATE DO NOT SCALE		NONE	00999	1 OF 2
REVISIONS				 3rd ANGLE PROJECTION						

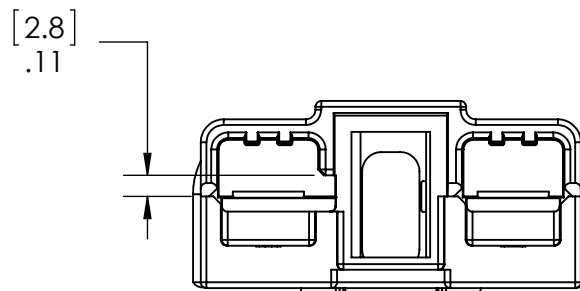
THE INFORMATION CONTAINED IN THIS DRAWING IS THE SOLE PROPERTY OF ANDERSON POWER PRODUCTS. ANY REPRODUCTION IN PART OR WHOLE WITHOUT THE WRITTEN PERMISSION OF ANDERSON POWER PRODUCTS IS PROHIBITED.

**Copyright 2011**

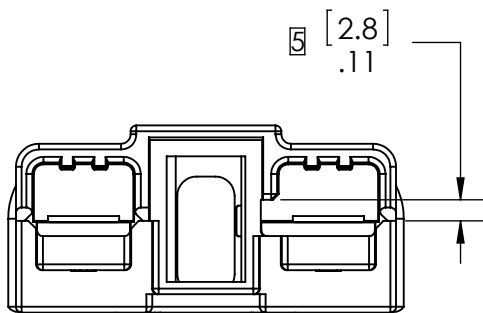
ANDERSON POWER PRODUCTS RESERVES THE RIGHT TO ALTER PRODUCT TYPES, THEIR TECHNICAL DATA, DIMENSION, STYLE AND ACCESSORIES WITHOUT PRIOR NOTIFICATION.



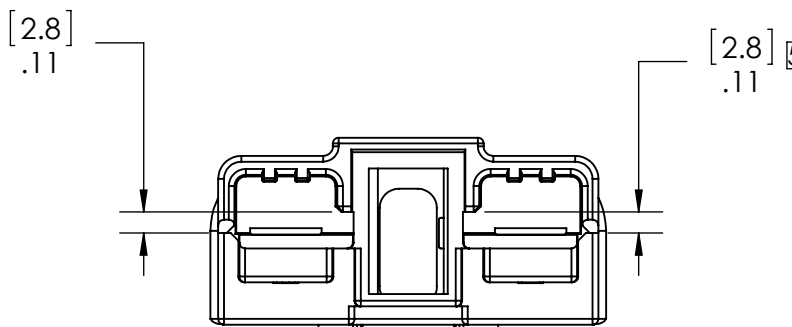
**RED KEY**



**ORANGE KEY**



**YELLOW KEY**



**GRAY KEY**

DIMENSIONS ARE IN:		INCH [MM]		<i>APPROVALS</i>		<b>ANDERSON POWER PRODUCTS</b>	
UNLESS OTHERWISE STATED				DRAWN		TITLE	
TOLERANCES:				AMP		4/14/04	
DECIMALS (INCH) DECIMALS (MM) ANGLES				CHECKED		DJD	
.XX ± .02 .X ± .3 ±2				MFG APPRV		4/15/04	
SURFACE FINISH:				MAW		4/15/04	
MACHINED 128µin [3.2µ]				QC APPRV		4/15/04	
MOLDED 64µin [1.6µ]				DAM		4/15/04	
MATERIAL:				ENG APPRV		SIZE	
SEE NOTES				RPO		A	
FINISH:				4/15/04		DWG NO.	
				-CAD GENERATED DRAWING- DO NOT MANUALLY UPDATE DO NOT SCALE		114129S1	
				SCALE		CADFILE	
				NONE		00999	
						REV.	
						6	
						SHEET	
						2 OF 2	

-	See Sheet1	-	-
REV.	DESCRIPTION	APPRV	DATE
REVISIONS			