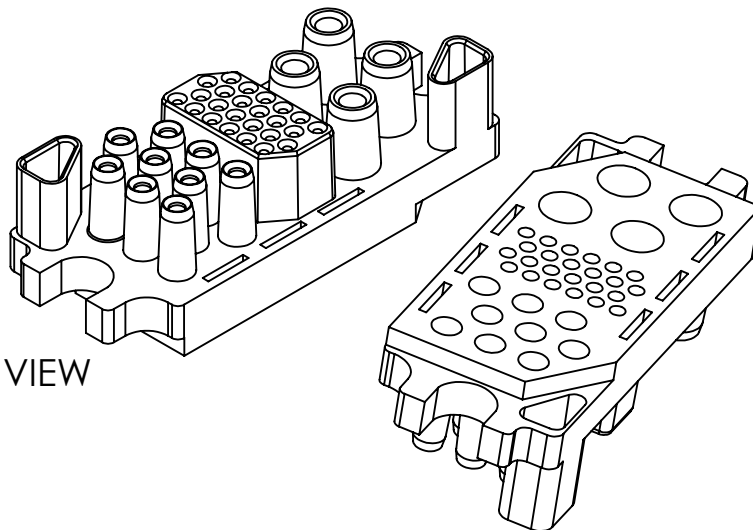
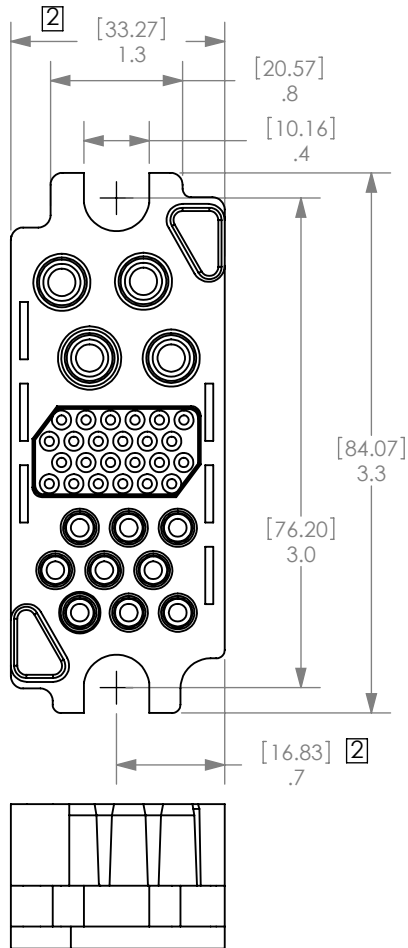


8 7 6 5 4 3 2 1

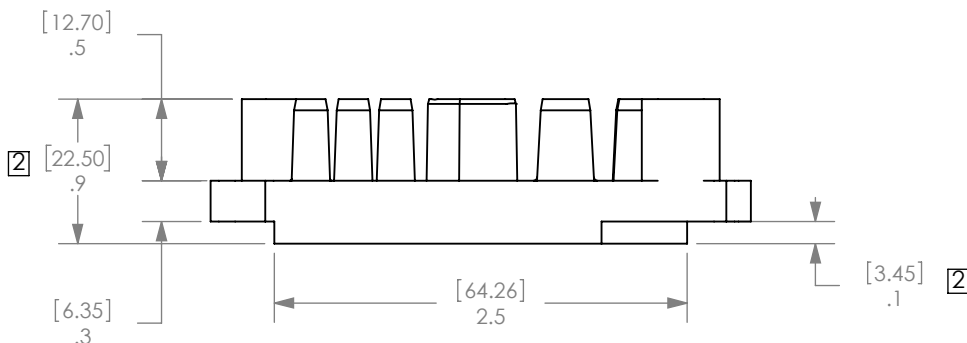
THE INFORMATION CONTAINED IN THIS DRAWING IS THE SOLE PROPERTY OF ANDERSON POWER PRODUCTS. ANY REPRODUCTION IN PART OR WHOLE WITHOUT THE WRITTEN PERMISSION OF ANDERSON POWER PRODUCTS IS PROHIBITED.

Copyright 2011

ANDERSON POWER PRODUCTS RESERVES THE RIGHT TO ALTER PRODUCT TYPES, THEIR TECHNICAL DATA, DIMENSION, STYLE AND ACCESSORIES WITHOUT PRIOR NOTIFICATION.



TOP VIEW



FOR USE WITH #8, #12, AND #20 POWER DRAWER CONTACTS ONLY

DIMENSIONS ARE IN: MM [INCH]		APPROVALS		ANDERSON POWER PRODUCTS		
UNLESS OTHERWISE STATED		DRAWN	CMS	9/19/2003	TITLE 75 AMP DRAWER SOCKET HOUSING-FLUSH PCB MOUNT	
TOLERANCES:		CHECKED	DJD	10/3/2003		
DECIMALS (INCH)	DECIMALS (MM)	ANGLES	MFG APPRV	DAM		10/6/2003
.XX ± .015	.X ± .38	±.5°	QC APPRV	JA		10/6/2003
.XXX ± .005	.XX ± .13		ENG APPRV	MAW	10/6/2003	
SURFACE FINISH:		SIZE				
MACHINED	128µin [3.2µ]	A	DWG NO.		REV.	
MOLDED	64µin [1.6µ]	SCALE		114457S1	2	
MATERIAL: PBT UL94 V-0		-CAD GENERATED DRAWING- DO NOT MANUALLY UPDATE DO NOT SCALE		CADFILE	SHEET	
FINISH: AS MOLDED		0.85:1		01871	1 OF 2	
3rd ANGLE PROJECTION						

2	ECN 2020-0099 - UPDATED DIMENSIONS	EH	10/9/2020
REV.	DESCRIPTION CHANGES	APPROVED	DATE

8 7 6 5 4 3 2 1

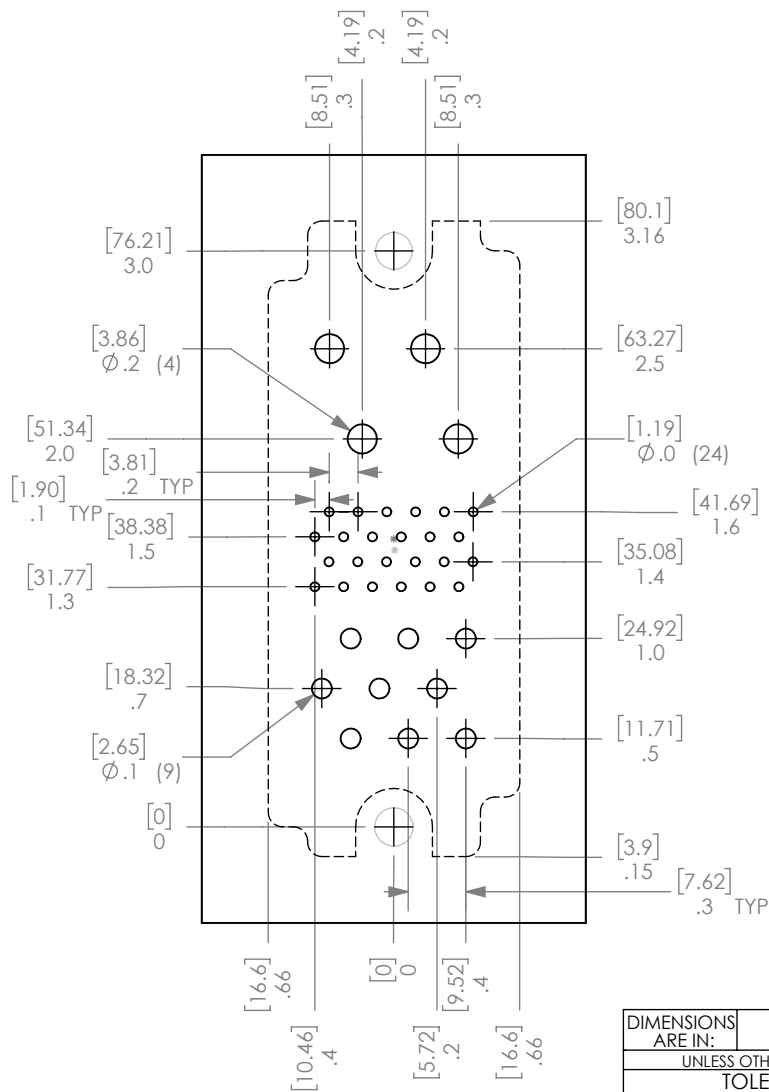
THE INFORMATION CONTAINED IN THIS DRAWING IS THE SOLE PROPERTY OF ANDERSON POWER PRODUCTS. ANY REPRODUCTION IN PART OR WHOLE WITHOUT THE WRITTEN PERMISSION OF ANDERSON POWER PRODUCTS IS PROHIBITED.

Copyright 2011

ANDERSON POWER PRODUCTS RESERVES THE RIGHT TO ALTER PRODUCT TYPES, THEIR TECHNICAL DATA, DIMENSION, STYLE AND ACCESSORIES WITHOUT PRIOR NOTIFICATION.

D
C
B
A

D
C
B
A



PCB HOLE LOCATIONS

DIMENSIONS ARE IN:		IN[MM]		<i>APPROVALS</i>		ANDERSON POWER PRODUCTS	
UNLESS OTHERWISE STATED				DRAWN	CMS	9/19/2003	TITLE 75 AMP DRAWER SOCKET HOUSING-FLUSH PCB MOUNT
TOLERANCES:				CHECKED	DJD	10/3/2003	
DECIMALS (INCH) DECIMALS (MM) ANGLES .XX ± .015 .X ± .38 ±.5° .XXX ± .005 .XX ± .13				MFG APPRV	DAM	10/6/2003	
SURFACE FINISH: MACHINED 128 [3.2] ✓ MOLDED 64 [1.6] ✓				QC APPRV	JA	10/6/2003	
MATERIAL: PBT UL94 V-0				ENG APPRV	MAW	10/6/2003	SIZE A
FINISH: AS MOLDED						DWG NO.	REV.
						114457S1	2
				-CAD GENERATED DRAWING- DO NOT MANUALLY UPDATE DO NOT SCALE		SCALE	SHEET
						0.85:1	2 OF 2
						CADFILE	
						01872	