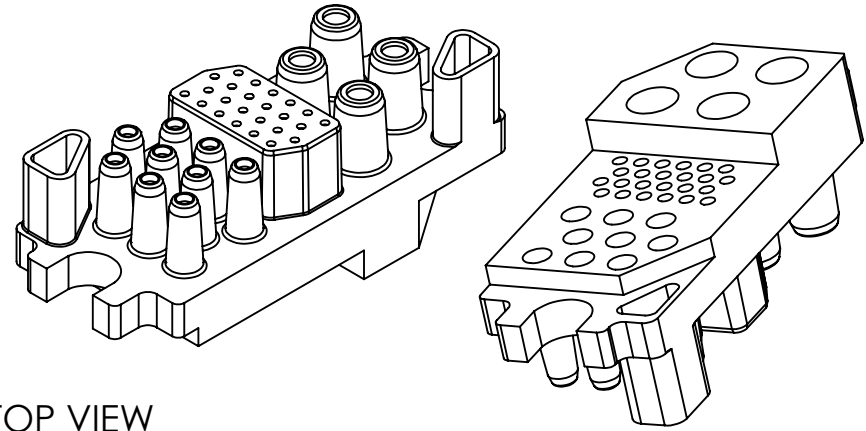
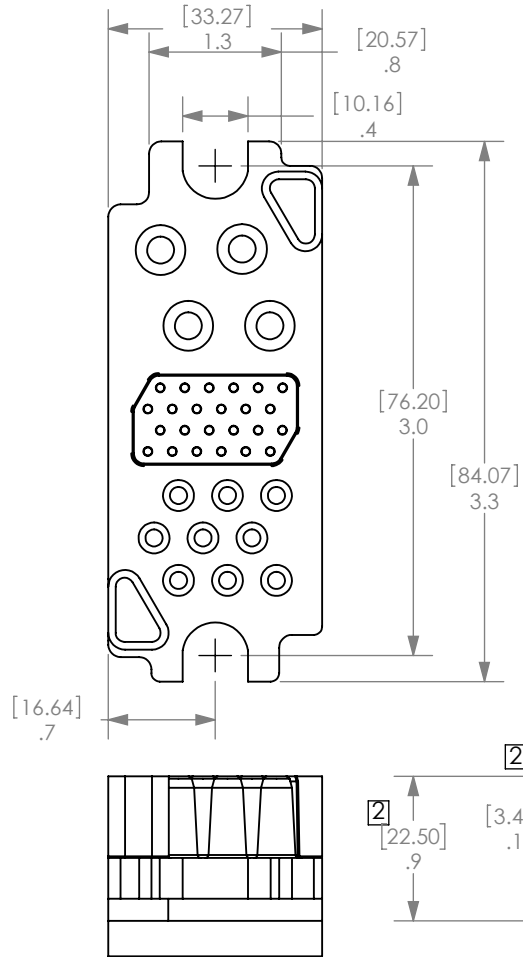


THE INFORMATION CONTAINED IN THIS DRAWING IS THE SOLE PROPERTY OF ANDERSON POWER PRODUCTS. ANY REPRODUCTION IN PART OR WHOLE WITHOUT THE WRITTEN PERMISSION OF ANDERSON POWER PRODUCTS IS PROHIBITED.

ANDERSON POWER PRODUCTS RESERVES THE RIGHT TO ALTER PRODUCT TYPES, THEIR TECHNICAL DATA, DIMENSION, STYLE AND ACCESSORIES WITHOUT PRIOR NOTIFICATION.

REV.	DESCRIPTION OF CHANGES	BY:	DATE
	1 ECRN-14903 ADDED PCB POLE LOCATIONS	TWE	5/5/11
2	ECN 2020-0099 - UPDATED DIMENSIONS	ECH	10/6/2020



TOP VIEW

BOTTOM VIEW

PART NUMBER 075MSF

FOR USE WITH #8, #12, AND #20 POWER DRAWER CONTACTS ONLY

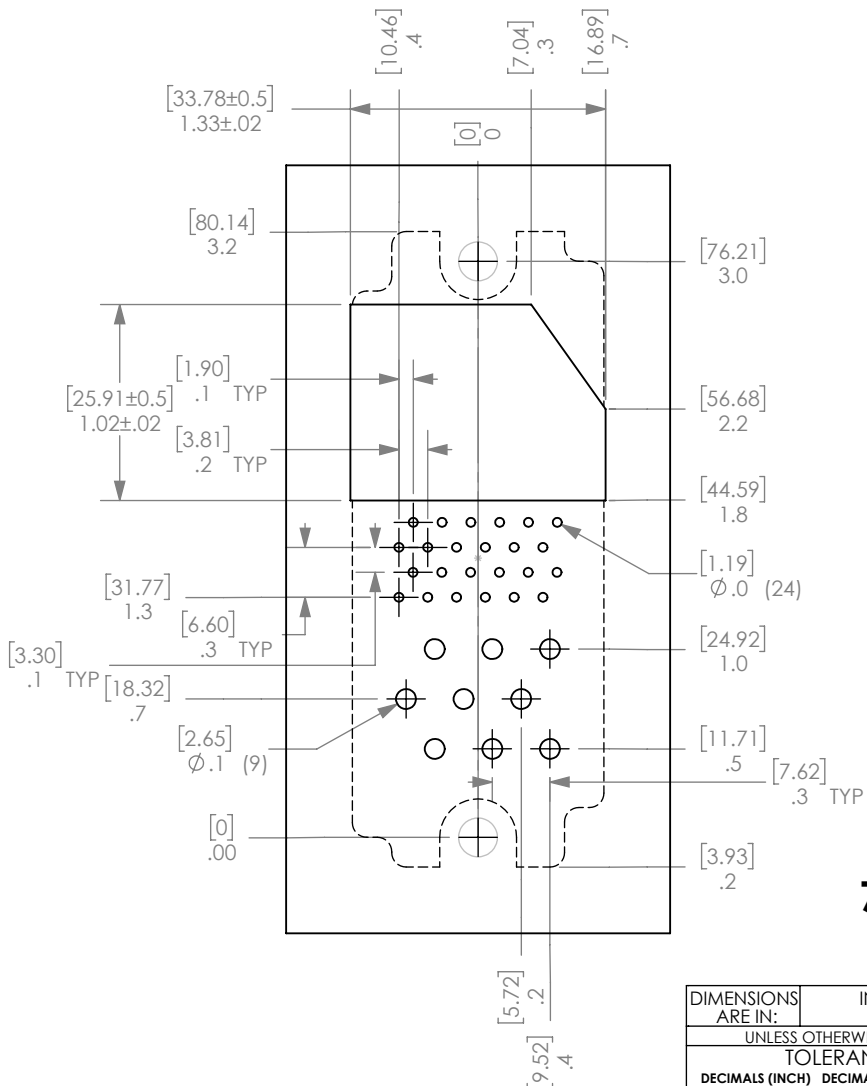
COPYRIGHT 2003 ANDERSON POWER PRODUCTS. ALL RIGHTS RESERVED. UNAUTHORIZED REPRODUCTION HEREBY PROHIBITED.

DIMENSIONS ARE IN INCHES DIMENSIONS IN PARENTHESES [] ARE IN MILLIMETERS		CAD GENERATED DRAWING, DO NOT MANUALLY UPDATE		ANDERSON POWER PRODUCTS	
TOLERANCES ARE: 2PL- ±.02 [±.5]		APPROVALS			
MATERIALS: PBT UL94 V-0		DRAWN		75 AMP POWER DRAWER SOCKET FLOAT MOUNT HOUSING	
FINISH AS MOLDED		CHECKED		SPECIFICATION:	
NEXT ASSY		RESP ENG		SIZE	
USED ON		MFG ENG		A	
APPLICATION		QUAL ENG		114457S2	
DO NOT SCALE DRAWING		JA		REV. 2	
		10/6/03		SCALE NONE	
				CADFILES/01876	
				SHEET 1 OF 2	

THE INFORMATION CONTAINED IN THIS DRAWING IS THE SOLE PROPERTY OF ANDERSON POWER PRODUCTS. ANY REPRODUCTION IN PART OR WHOLE WITHOUT THE WRITTEN PERMISSION OF ANDERSON POWER PRODUCTS IS PROHIBITED.

Copyright 2011

ANDERSON POWER PRODUCTS RESERVES THE RIGHT TO ALTER PRODUCT TYPES, THEIR TECHNICAL DATA, DIMENSION, STYLE AND ACCESSORIES WITHOUT PRIOR NOTIFICATION.



75 AMP SOCKET FLOAT MOUNT PCB LAYOUT

DIMENSIONS ARE IN:		IN[MM]		<i>APPROVALS</i>		ANDERSON POWER PRODUCTS	
UNLESS OTHERWISE STATED				DRAWN	CMS	9/19/2003	TITLE 75 AMP POWER DRAWER SOCKET FLOAT MOUNT HOUSING
TOLERANCES:				CHECKED	DJD	10/3/2003	
DECIMALS (INCH) DECIMALS (MM) ANGLES				MFG APPRV	DAM	10/6/2003	
.XX ± .015 X ± .38 ±.5°				QC APPRV	JA	10/6/2003	
.XXX ± .005 XX ± .13				ENG APPRV	MAW	10/6/2003	
SURFACE FINISH:				SIZE	A	DWG NO.	114457S2
MACHINED 128 [3.2] ✓				SCALE	0.85:1		REV.
MOLDED 64 [1.6] ✓				CADFILE	01876		SHEET
MATERIAL: PBT UL94 V-0				-CAD GENERATED DRAWING- DO NOT MANUALLY UPDATE DO NOT SCALE		2 OF 2	
FINISH: AS MOLDED							