

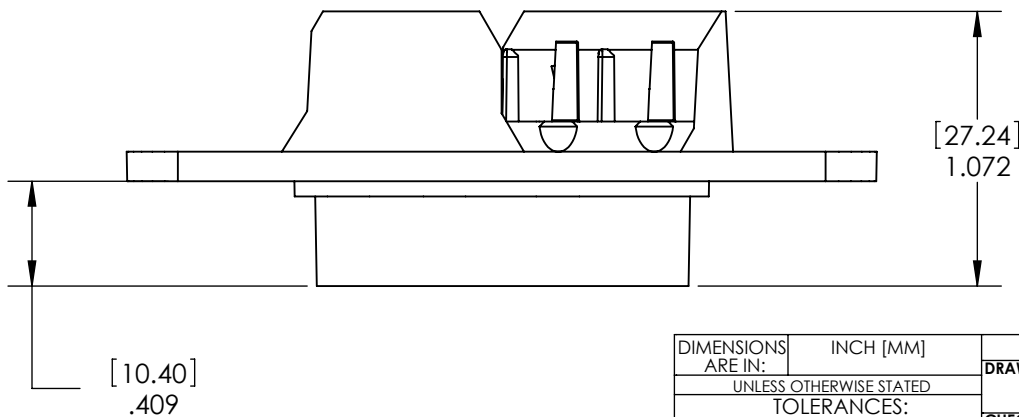
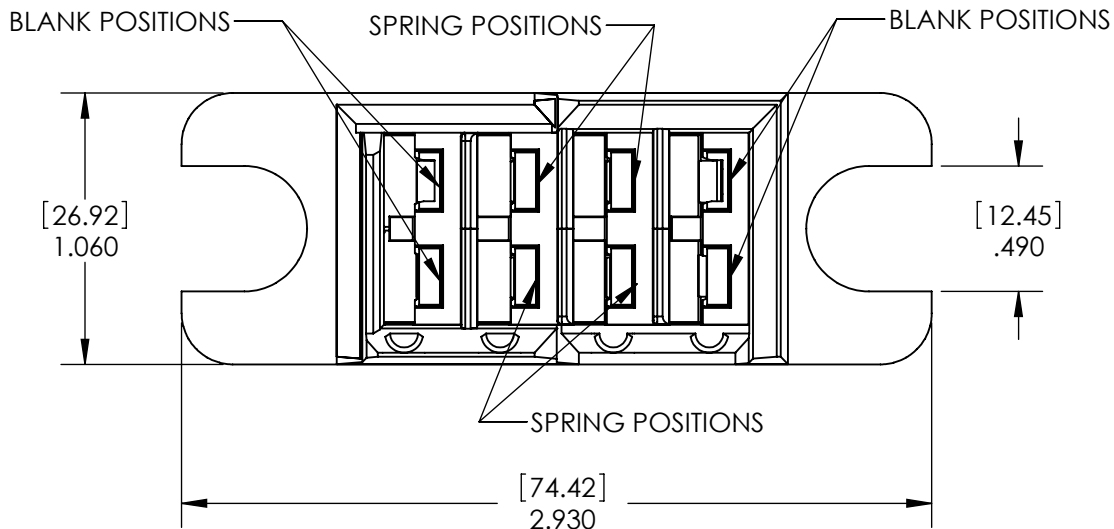
8 7 6 5 4 3 2 1

THE INFORMATION CONTAINED IN THIS DRAWING IS THE SOLE PROPERTY OF ANDERSON POWER PRODUCTS. ANY REPRODUCTION IN PART OR WHOLE WITHOUT THE WRITTEN PERMISSION OF ANDERSON POWER PRODUCTS IS PROHIBITED.

Copyright 2010

ANDERSON POWER PRODUCTS RESERVES THE RIGHT TO ALTER PRODUCT TYPES, THEIR TECHNICAL DATA, DIMENSION, STYLE AND ACCESSORIES WITHOUT PRIOR NOTIFICATION.

D
C
B
A



P/N 115034G1

DIMENSIONS ARE IN:		INCH [MM]		<i>APPROVALS</i>		ANDERSON POWER PRODUCTS	
UNLESS OTHERWISE STATED				DRAWN	TWE	10/27/2010	TITLE MARC 2X4 WELDED HOUSING ASSEMBLY CUSTOM FOUR SPRINGS
TOLERANCES:				CHECKED	CMS	10/27/2010	
DECIMALS (INCH)	DECIMALS (MM)	ANGLES		MFG APPRV	CHB	10/27/2010	
.XX ± .02	.X ± .5	±2°		QC APPRV	HN	10/27/2010	
SURFACE FINISH:				ENG APPRV	CHB_BD	10/27/2010	
MACHINED		128 [3.2]		SIZE	A	DWG NO.	115034S1
MOLDED		64 [1.6]		SCALE	NONE	CADFILE	03303
MATERIAL: SEE B/M				-CAD GENERATED DRAWING- DO NOT MANUALLY UPDATE DO NOT SCALE		REV.	0
FINISH: SEE B/M				3rd ANGLE PROJECTION		SHEET	
REVISIONS						1 OF 1	

REV.	DESCRIPTION	APPRV	DATE
REVISIONS			

8 7 6 5 4 3 2 1