

8

7

6

5

4

3

2

1

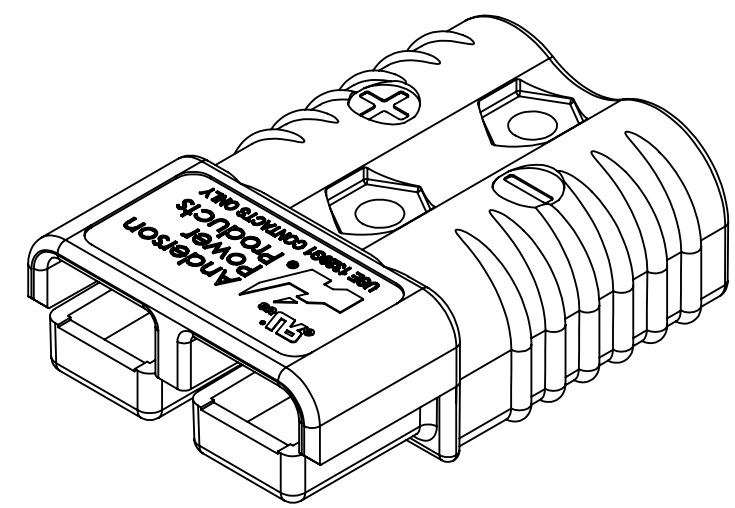
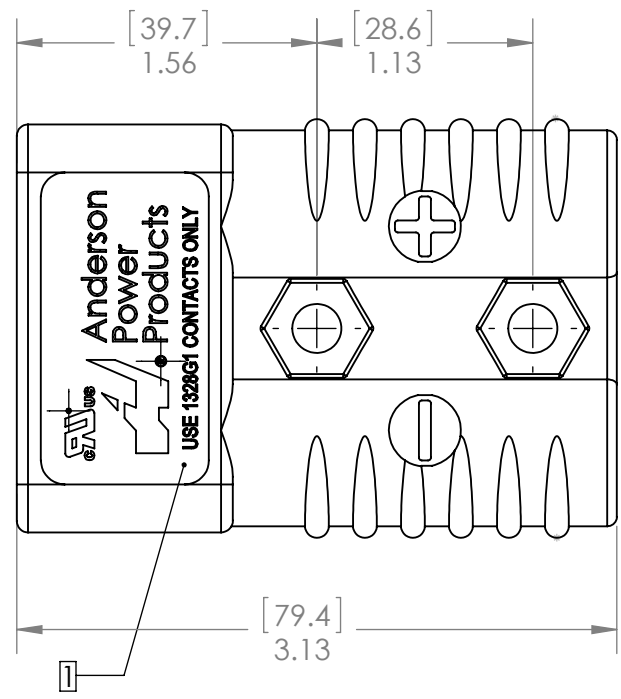
THE INFORMATION CONTAINED IN THIS DRAWING IS THE SOLE PROPERTY OF ANDERSON POWER PRODUCTS. ANY REPRODUCTION IN PART OR WHOLE WITHOUT THE WRITTEN PERMISSION OF ANDERSON POWER PRODUCTS IS PROHIBITED.

Copyright 2011

ANDERSON POWER PRODUCTS RESERVES THE RIGHT TO ALTER PRODUCT TYPES, THEIR TECHNICAL DATA, DIMENSION, STYLE AND ACCESSORIES WITHOUT PRIOR NOTIFICATION.

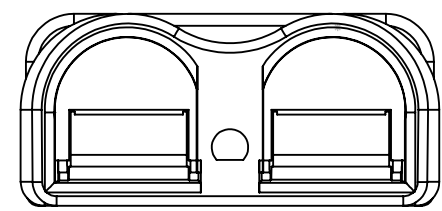
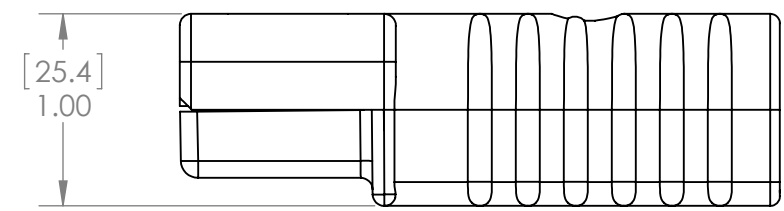
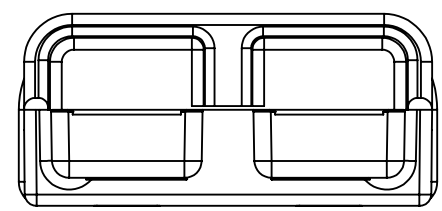
E

E



D

D



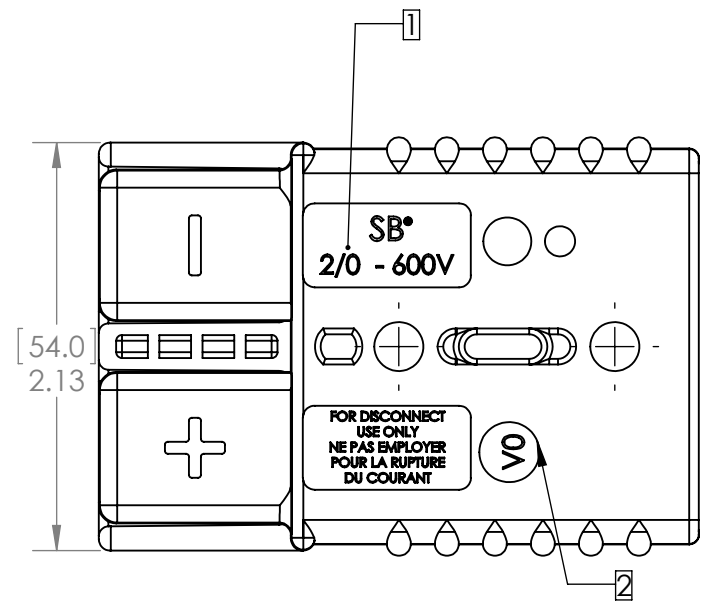
C

C

B

B

- NOTES:
1. SPRING/HOUSING ASSEMBLIES ARE UL RECOGNIZED PER FILE E26226, CSA CERTIFIED PER LR25154
 2. HOUSING ARE KEYED TO ONLY ALLOW MATING WITH THE SAME COLOR HOUSING.
 3. HOUSING ASSEMBLIES ACCOMODATE ANDERSON CONTACT 1328G1.
 4. MATERIAL:
HOUSING- POLYCARBONATE, UL94VO
SPRING - STAINLESS STEEL



PART NUMBER 115107G1

| | | | | | | | |
|-------------------------|---------------|-----------|--|------------------------|--|---|--|
| DIMENSIONS ARE IN: | | INCH [MM] | | APPROVALS | | ANDERSON POWER PRODUCTS | |
| UNLESS OTHERWISE STATED | | | | DRAWN LLD 8/31/2011 | | TITLE | |
| TOLERANCES: | | | | CHECKED CMS 9/2/2011 | | SB HOUSING FOR 2/0 - GRAY - SALES OUTLINE | |
| DECIMALS (INCH) | DECIMALS (MM) | ANGLES | | MFG APPRV CHB 9/2/2011 | | | |
| .XX ± .02 | .X ± .5 | ± 2° | | QC APPRV UFN 9/2/2011 | | | |
| SURFACE FINISH: | | | | ENG APPRV BD 9/2/2011 | | SIZE B | |
| MACHINED | 64 [1.6] | | | | | DWG NO. 115107S1 | |
| MOLDED | 32 [0.8] | | | | | REV. 2 | |
| MATERIAL: SEE NOTE | | | | | | SCALE NONE | |
| FINISH: | | | | | | CADFILE 03558 | |
| | | | | | | SHEET 1 OF 1 | |

| REV. | DESCRIPTION | APPRV | DATE |
|------|--|-------|------------|
| 2 | ECRN 15333 - REMOVE CSA LOGO REPLACE WITH VO | LLD | 2/7/2013 |
| 1 | ECRN 15261 - CHANGE LOGO (REMOVE 175) | LLD | 10/25/2012 |

REVISIONS

8

7

6

5

4

3

2

1