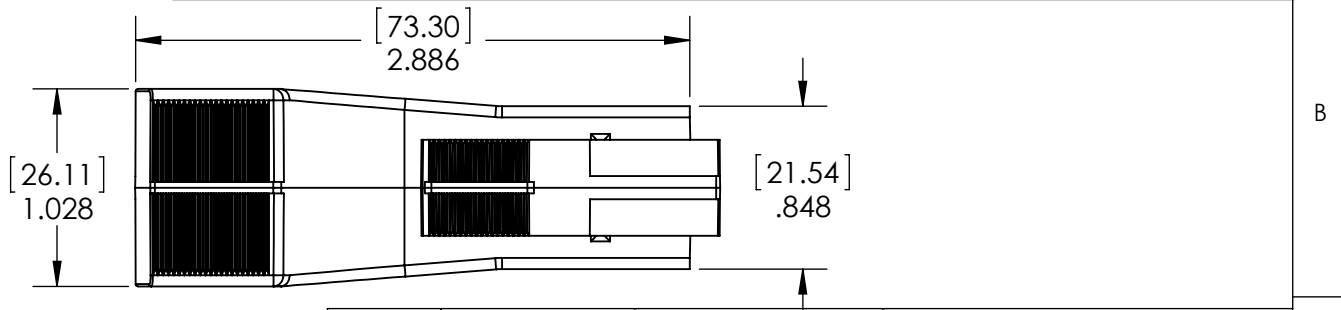
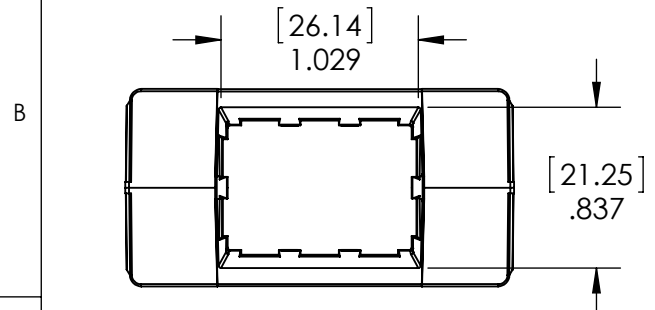
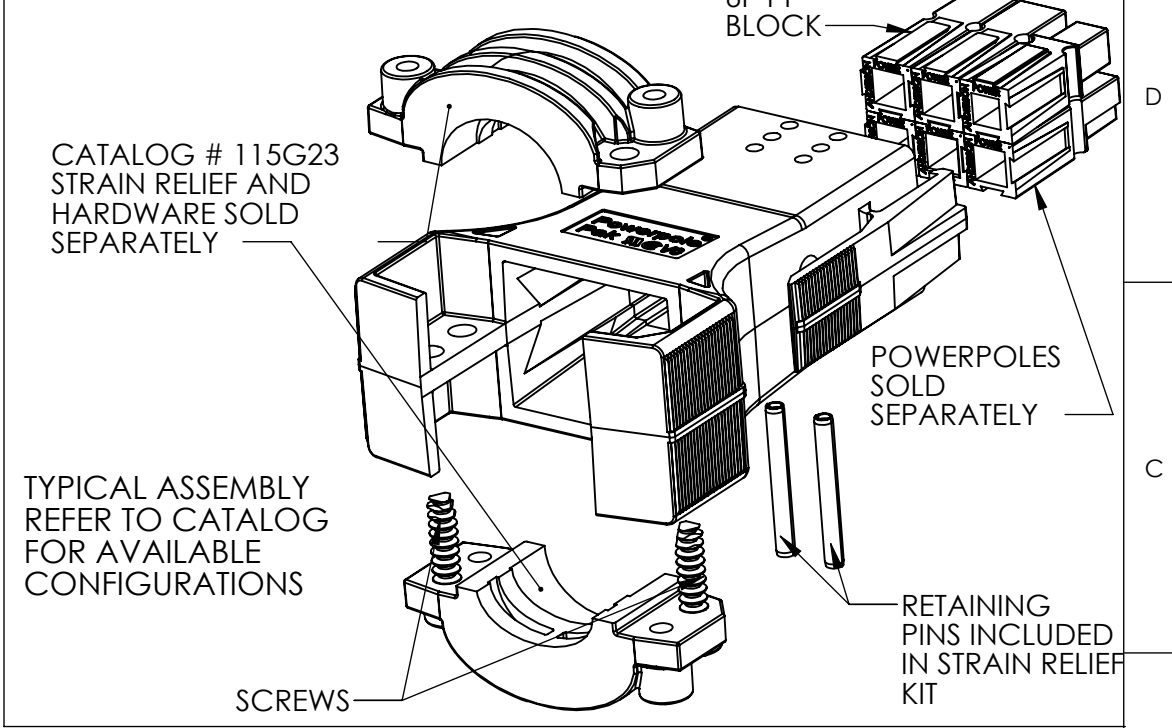
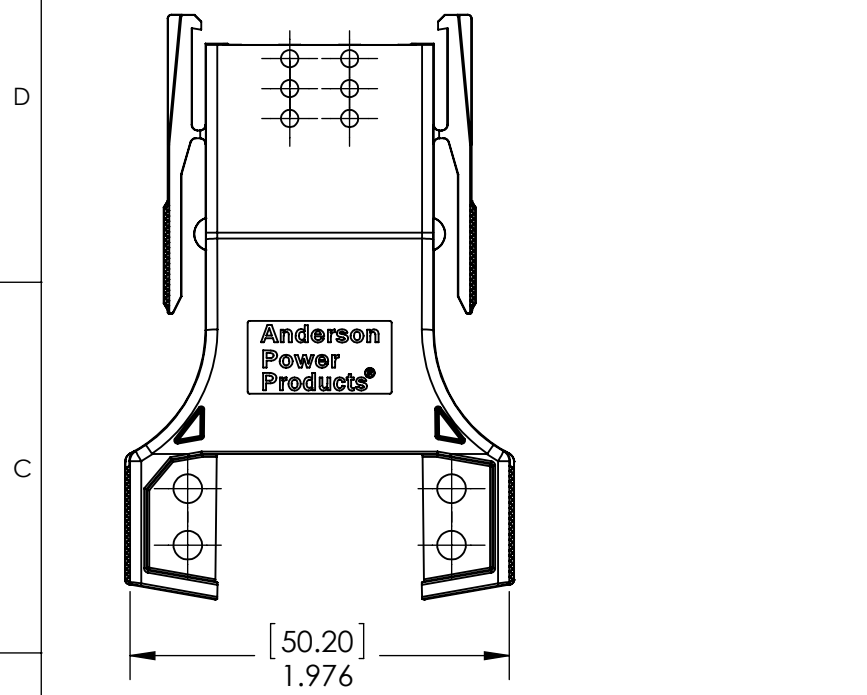


8 7 6 5 4 3 2 1

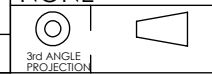
THE INFORMATION CONTAINED IN THIS DRAWING IS THE SOLE PROPERTY OF ANDERSON POWER PRODUCTS. ANY REPRODUCTION IN PART OR WHOLE WITHOUT THE WRITTEN PERMISSION OF ANDERSON POWER PRODUCTS IS PROHIBITED.

Copyright 2012

ANDERSON POWER PRODUCTS RESERVES THE RIGHT TO ALTER PRODUCT TYPES, THEIR TECHNICAL DATA, DIMENSION, STYLE AND ACCESSORIES WITHOUT PRIOR NOTIFICATION.



DIMENSIONS ARE IN:		INCH [MM]		APPROVALS		ANDERSON POWER PRODUCTS	
UNLESS OTHERWISE STATED				DRAWN	TWE	2/6/2012	TITLE CATALOG NUMBER 1460G23 2X3 POWERPOLE PAK PLUG WITH LATCH
TOLERANCES:				CHECKED	JHN	2/7/2012	
DECIMALS (INCH)	DECIMALS (MM)	ANGLES		MFG APPR	CHB	2/7/2012	
.XX ± .015	.X ± .38	±.5°		QC APPR	UFN	2/7/2012	
.XXX ± .005	.XX ± .13			ENG APPR	BD	2/7/2012	SIZE A
SURFACE FINISH:				MATERIAL:		DWG NO.	
MACHINED		128µin [3.2µ]		POLYCARBONATE		115141S1	
MOLDED		64µin [1.6µ]		FINISH:		REV.	
		NONE				0	
REV.				DESCRIPTION		SCALE	
APPRV				DATE		CADFILE	
REVISIONS						SHEET	
						1 OF 1	



-CAD GENERATED DRAWING-
DO NOT MANUALLY UPDATE
DO NOT SCALE

8 7 6 5 4 3 2 1