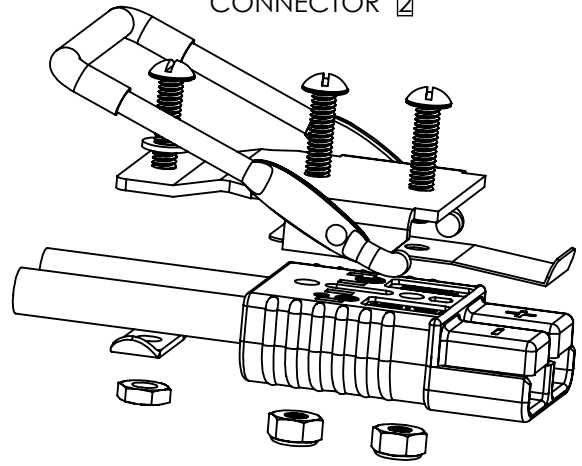


THE INFORMATION CONTAINED IN THIS DRAWING IS THE SOLE PROPERTY OF ANDERSON POWER PRODUCTS. ANY REPRODUCTION IN PART OR WHOLE WITHOUT THE WRITTEN PERMISSION OF ANDERSON POWER PRODUCTS IS PROHIBITED.

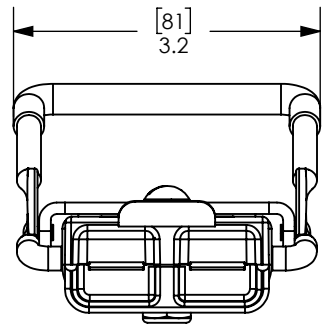
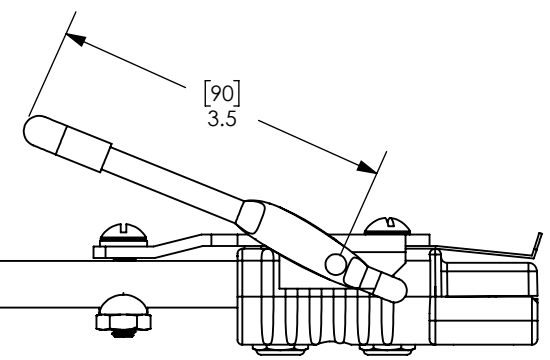
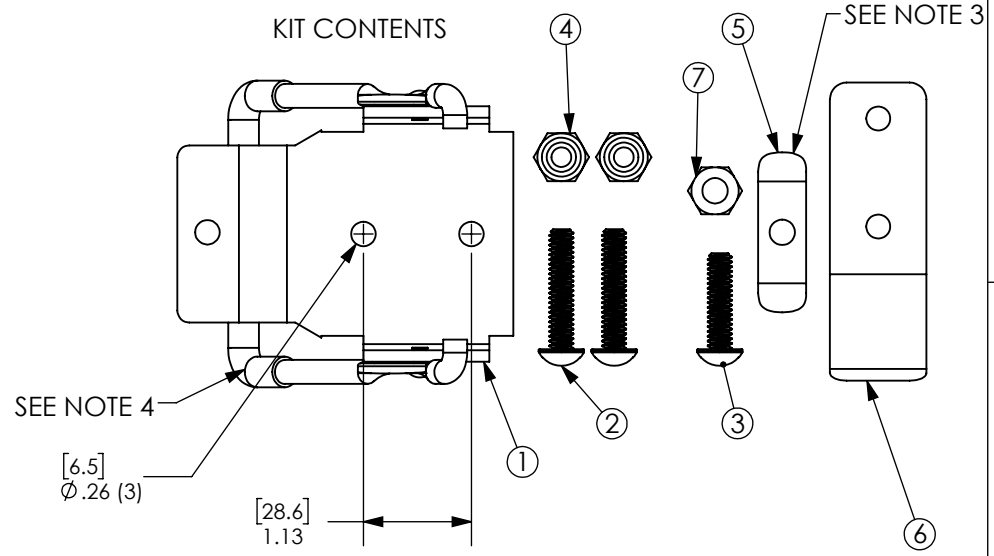
Copyright 2016

ANDERSON POWER PRODUCTS RESERVES THE RIGHT TO ALTER PRODUCT TYPES, THEIR TECHNICAL DATA, DIMENSION, STYLE AND ACCESSORIES WITHOUT PRIOR NOTIFICATION.

EXPLODED VIEW OF ASSEMBLY ON CONNECTOR



KIT CONTENTS



ITEM	QTY.	DESCRIPTION
1	1	SB175 LOCKING PLATE AND HANDLE ASSEMBLY
2	2	MACHINE SCREW- 1/4-20 X 1-1/4, SLOTTED
3	1	MACHINE SCREW- 1/4-20 X 1, SLOTTED
4	2	1/4-20 HEAVY NYLON INSERT LOCKNUT
5	1	CABLE CLAMP
6	1	TENSIONER SPRING
7	1	1/4-20 HEX NUT (THIN)

NOTES:

- MATERIAL: PLATED STEEL
- HARDWARE INCLUDED FOR ATTACHMENT AS SHOWN
- ITEM EPOXY DIPPED RED
- HANDLE VINYL DIPPED RED
- USE WITH 924 OR 924G1

DIMENSIONS ARE IN:	INCH [MM]	APPROVALS	
UNLESS OTHERWISE STATED		DRAWN	
TOLERANCES:		CMS	7/11/2016
DECIMALS (INCH)	DECIMALS (MM)	CHECKED	
.XX ± .02	.X ± .5	CPD	7/12/2014
ANGLES ±2°		PM APPR	
SURFACE FINISH:		STH	7/13/2016
MACHINED	128µin [3.2µ]	QC APPR	
MOLDED	64µin [1.6µ]	UFN	7/12/2016
MATERIAL: SEE NOTES		ENG APPR	
FINISH: SEE NOTES		CLY	7/13/2016

ANDERSON POWER PRODUCTS

TITLE

MANUAL RELEASE- LOCKING HALF FOR SB175 CATALOG NO. 923G1

SIZE A **DWG NO.** 115372S1 **REV.** 2

REV.	DESCRIPTION	APPRV	DATE
2	ECN 2020-0062- REVISE EXPLODED VIEW AND COMPONENTS	CMS	10/1/2020
1	ECN 2018-0212 - ADDED HOLE SIZE AND LOCATION	CPD	11/5/2018

REVISIONS

3rd ANGLE PROJECTION

-CAD GENERATED DRAWING- DO NOT MANUALLY UPDATE DO NOT SCALE