

8 7 6 5 4 3 2 1

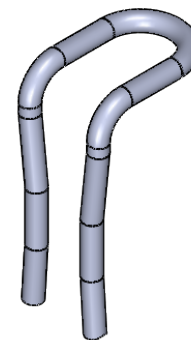
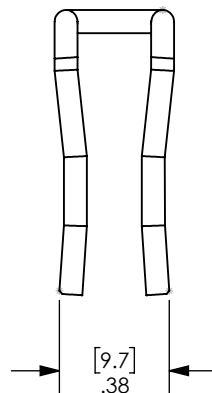
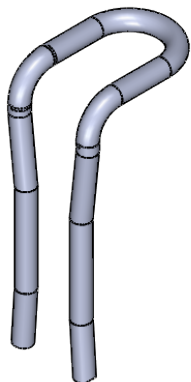
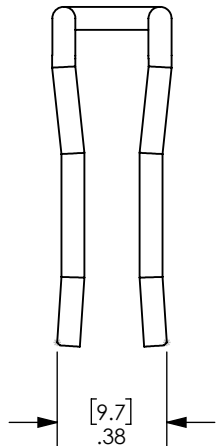
THE INFORMATION CONTAINED IN THIS DRAWING IS THE SOLE PROPERTY OF ANDERSON POWER PRODUCTS. ANY REPRODUCTION IN PART OR WHOLE WITHOUT THE WRITTEN PERMISSION OF ANDERSON POWER PRODUCTS IS PROHIBITED.

**Copyright 2020**

ANDERSON POWER PRODUCTS RESERVES THE RIGHT TO ALTER PRODUCT TYPES, THEIR TECHNICAL DATA, DIMENSION, STYLE AND ACCESSORIES WITHOUT PRIOR NOTIFICATION.

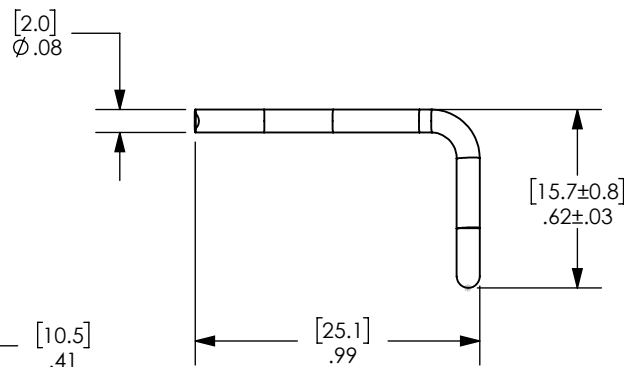
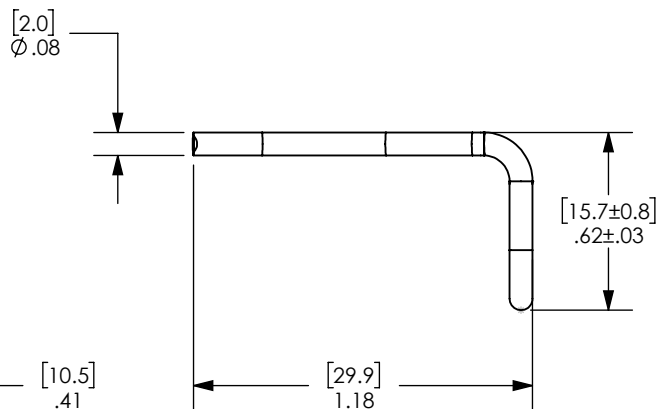
D

D



C

C



B

B

**2-8675P1**  
FOR USE WITH SBX350 SBE320


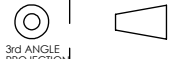
**2-8675P2**  
FOR USE WITH SBX175 SBE160 SBE80 SBO60

**NOTES:**

1. MATERIAL : Ø.080 [2mm] 302/304 STAINLESS STEEL

A

A

DIMENSIONS ARE IN: INCH [MM]		<b>APPROVALS</b>		 <b>ANDERSON POWER PRODUCTS</b> TITLE OUTLINE, 1X4 AUX. HOLDER CLIP		
UNLESS OTHERWISE STATED		DRAWN	11/12/2020			
TOLERANCES:		CHECKED	11/17/2020			
DECIMALS (INCH)	DECIMALS (MM)	PM APPRV	11/17/2020			
.XX ±.02	.X ±.5	QC APPRV	11/17/2020			
SURFACE FINISH:		ENG APPRV	11/17/2020	SIZE	DWG NO.	REV.
MACHINED	128µin [3.2µ]	SH		A	116026S	0
MOLDED	64µin [1.6µ]	FINISH:		SCALE	CADFILE	SHEET
MATERIAL: SEE NOTE 1		-CAD GENERATED DRAWING- DO NOT MANUALLY UPDATE DO NOT SCALE		NONE	05601	1 OF 1
 3rd ANGLE PROJECTION						

REV.	DESCRIPTION	APPRV	DATE
REVISIONS			

8 7 6 5 4 3 2 1