

8

7

6

5

4

3

2

1

THE INFORMATION CONTAINED IN THIS DRAWING IS THE SOLE PROPERTY OF ANDERSON POWER PRODUCTS. ANY REPRODUCTION IN PART OR WHOLE WITHOUT THE WRITTEN PERMISSION OF ANDERSON POWER PRODUCTS IS PROHIBITED.

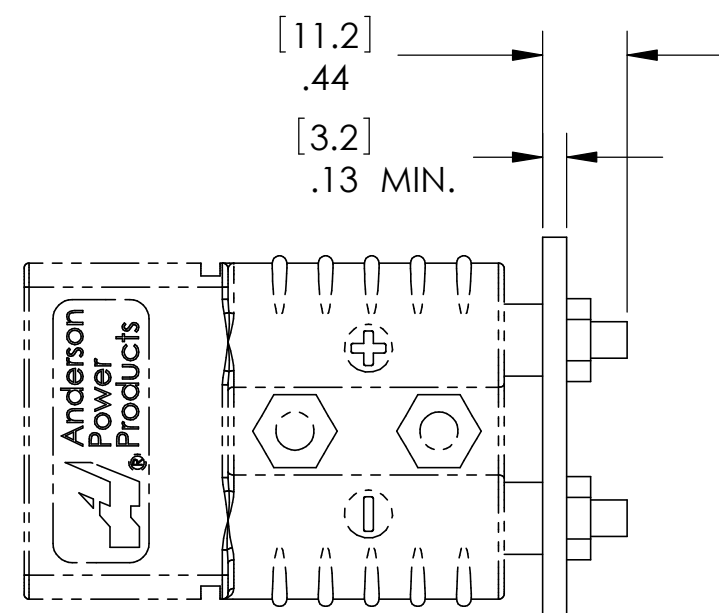
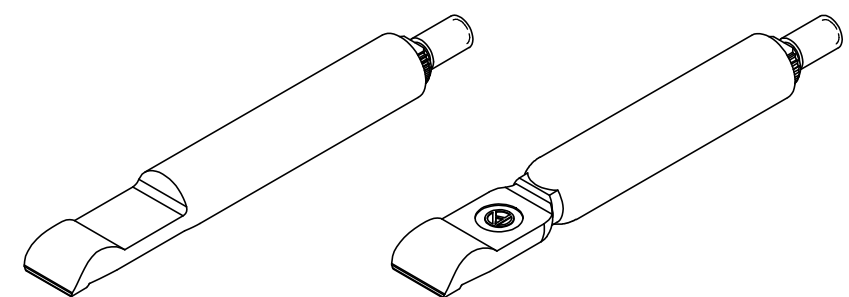
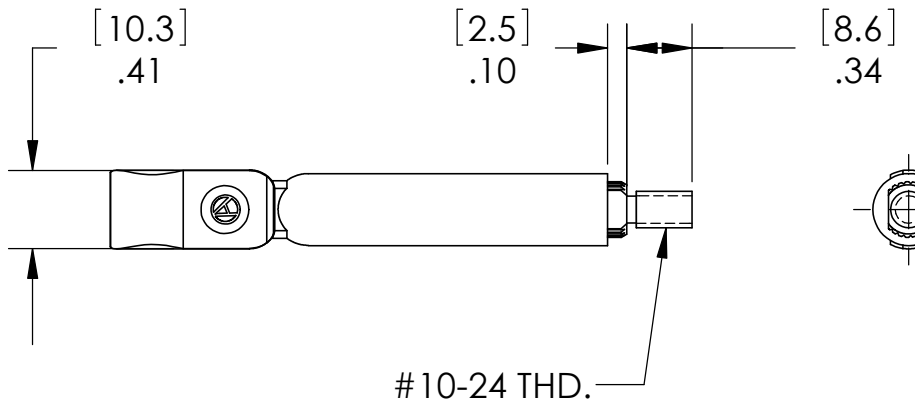
Copyright 2004

ANDERSON POWER PRODUCTS RESERVES THE RIGHT TO ALTER PRODUCT TYPES, THEIR TECHNICAL DATA, DIMENSION, STYLE AND ACCESSORIES WITHOUT PRIOR NOTIFICATION.

E

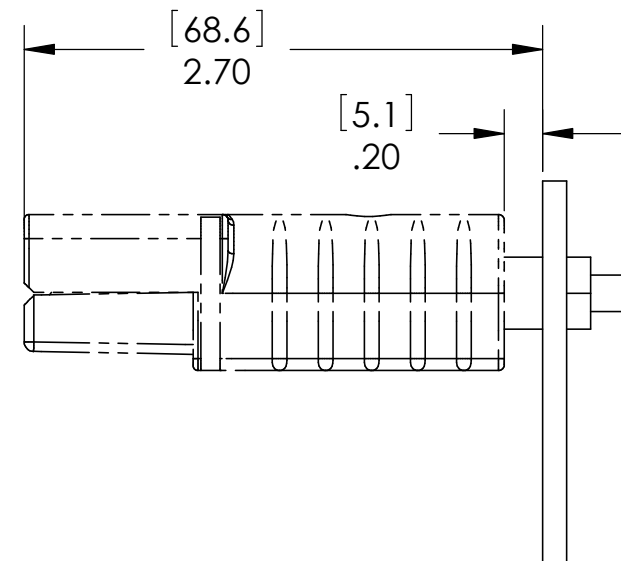
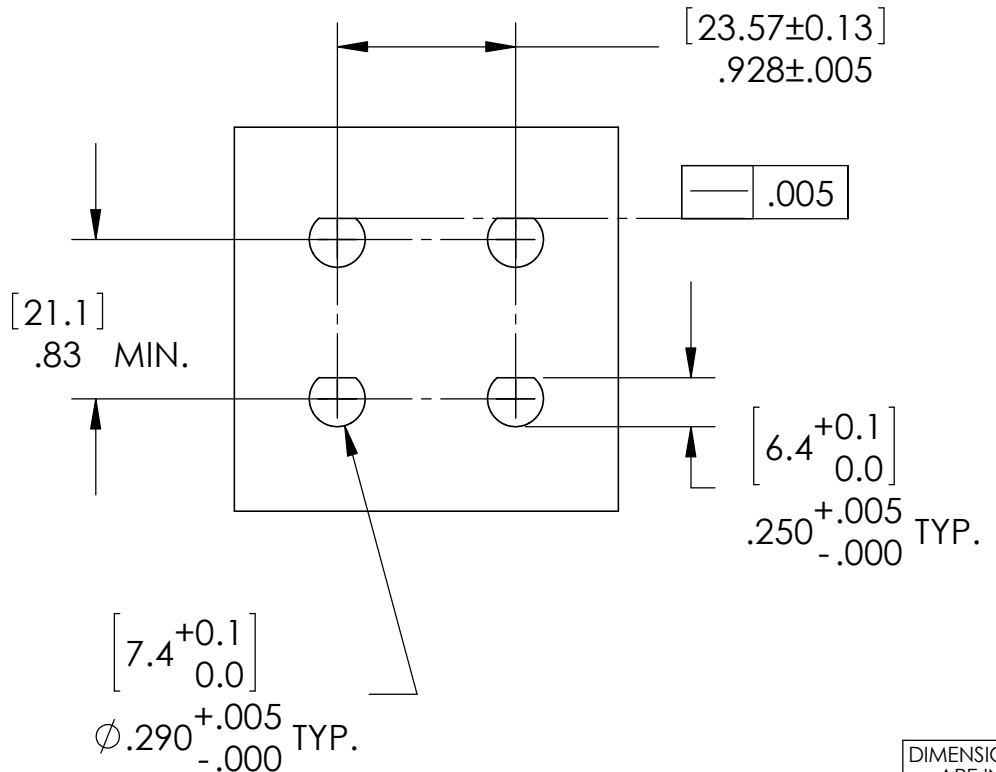
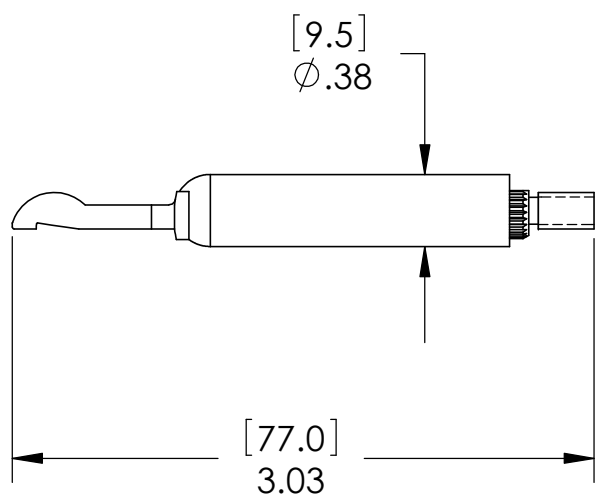
E

ALTERNATE ACCEPTABLE GEOMETRIES



D

D



C

C

B

B

A

A

- NOTES:
- TIGHTENING TORQUE = 12 IN-LBS
  - CONTACT MATERIAL = COPPER ALLOY  
FINISH = SILVER PLATE

4	ECRN 14489 - REMOVED KITS, CHANGED TITLE TO SB120	JRW	9/29/09
3	ECRN 14181 - UPDATE TO FORMED GEOMETRY	AMS	10/09/07
2	ECRN 13843 - MODIFY D-SHAPE TOLERANCES	AMP	6/6/05
1	ECRN 13789 - MODIFY TPRQUE SPECS.	AMP	6/3/05
REV.	DESCRIPTION OF CHANGES	APPROVED	DATE

DIMENSIONS ARE IN:	INCH[MM]	APPROVALS		<p>ANDERSON POWER PRODUCTS</p> <p>TITLE</p> <p>SB120 BUS BAR ASSEMBLY OUTLINE</p> <p>SIZE B/A3</p> <p>DWG NO. B01997S1</p> <p>SCALE NONE</p> <p>CADFILE 02142</p> <p>SHEET 1 OF 1</p>
UNLESS OTHERWISE STATED		DRAWN	AMP 9/18/04	
TOLERANCES:		CHECKED	DJD 9/30/04	
DECIMALS (INCH) .XX ± .02		MFG APP	DAM 9/30/04	
DECIMALS (MM) .X ± .5		QC APP	RPO 9/30/04	
ANGLES ± 2°		ENG APP	MAW 9/30/04	
SURFACE FINISH:		MATERIAL: SEE NOTE 2		
MACHINED 128 [3.2]		FINISH: SEE NOTE 2		
MOLDED 64 [1.6]		-CAD GENERATED DRAWING- DO NOT MANUALLY UPDATE DO NOT SCALE		

8

7

6

5

4

3

2

1