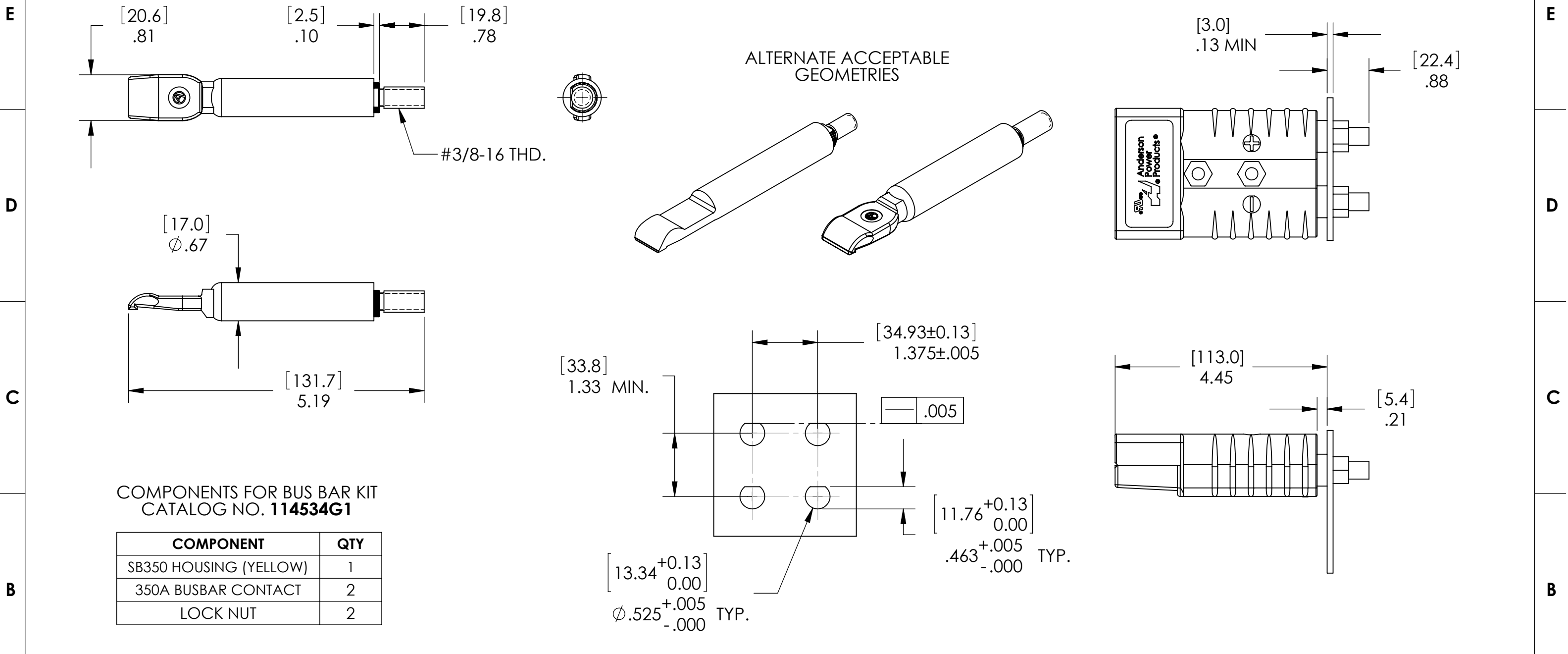


THE INFORMATION CONTAINED IN THIS DRAWING IS THE SOLE PROPERTY OF ANDERSON POWER PRODUCTS. ANY REPRODUCTION IN PART OR WHOLE WITHOUT THE WRITTEN PERMISSION OF ANDERSON POWER PRODUCTS IS PROHIBITED.

Copyright 2004

ANDERSON POWER PRODUCTS RESERVES THE RIGHT TO ALTER PRODUCT TYPES, THEIR TECHNICAL DATA, DIMENSION, STYLE AND ACCESSORIES WITHOUT PRIOR NOTIFICATION.



COMPONENTS FOR BUS BAR KIT  
CATALOG NO. 114534G1

COMPONENT	QTY
SB350 HOUSING (YELLOW)	1
350A BUSBAR CONTACT	2
LOCK NUT	2

COMPONENTS FOR BUS BAR KIT  
CATALOG NO. 114534G2

COMPONENT	QTY
SB350 HOUSING (GRAY)	1
350A BUSBAR CONTACT	2
LOCK NUT	2

- NOTES:  
 1. TIGHTENING TORQUE = 120 IN-LBS  
 2. CONTACT MATERIAL = COPPER ALLOY  
 FINISH = SILVER PLATE  
 HOUSING MATERIAL = POLYCARBONATE

REV.	DESCRIPTION	APPRV	DATE
3	ECRN 14181 UPDATE TO FORMED GEOMETRY	AMP	10/9/07
2	ECRN-13843 MODIFY D-SHAPE TOLERANCES	AMP	6/6/05
1	ECRN-13780 ADD GRA. HSG. KIT MODIFY TORQUE	AMP	2/205

DIMENSIONS ARE IN:	INCH [MM]	APPROVALS		 <b>ANDERSON POWER PRODUCTS</b>	
UNLESS OTHERWISE STATED		DRAWN	AMP		9/18/2004
TOLERANCES:		CHECKED	DJD		9/30/2004
DECIMALS (INCH)	DECIMALS (MM)	MFG APPRV	DAM		9/30/2004
.XX ± .02	.X ± .5	QC APPRV	RPO	9/30/2004	
ANGLES ±2°		ENG APPRV	MAW	9/30/2004	
SURFACE FINISH:		SIZE	B	DWG NO.	
MACHINED 128µin [3.2µ] ✓		SCALE	NONE	B01998S1	
MOLDED 64µin [1.6µ] ✓		CADFILE	02143	REV.	
MATERIAL: SEE NOTE 2		SHEET	1 OF 1	3	
FINISH: SEE NOTE 2		-CAD GENERATED DRAWING- DO NOT MANUALLY UPDATE DO NOT SCALE			