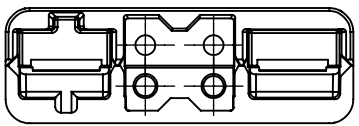


THE INFORMATION CONTAINED IN THIS DRAWING IS THE SOLE PROPERTY OF ANDERSON POWER PRODUCTS. ANY REPRODUCTION IN PART OR WHOLE WITHOUT THE WRITTEN PERMISSION OF ANDERSON POWER PRODUCTS IS PROHIBITED.

Copyright 2011

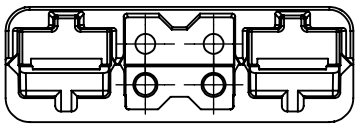
ANDERSON POWER PRODUCTS RESERVES THE RIGHT TO ALTER PRODUCT TYPES, THEIR TECHNICAL DATA, DIMENSION, STYLE AND ACCESSORIES WITHOUT PRIOR NOTIFICATION.

E



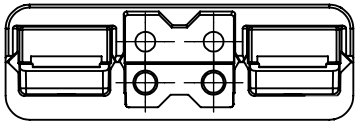
BROWN KEY

D



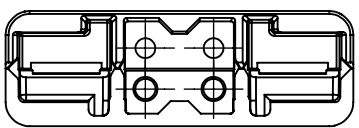
WHITE KEY

C



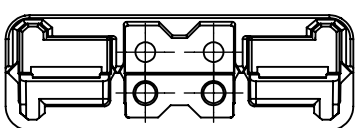
BLUE KEY

B



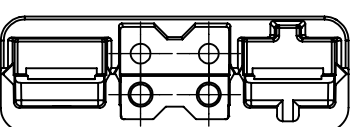
GRAY KEY

A

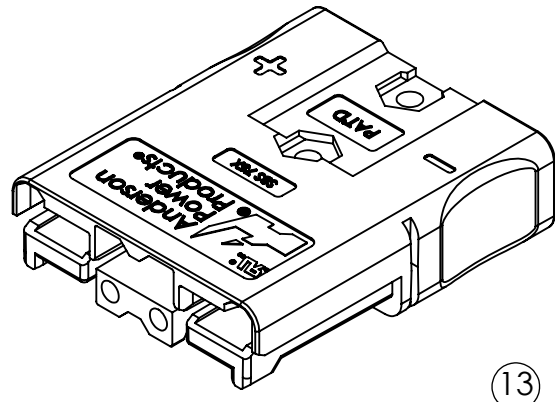
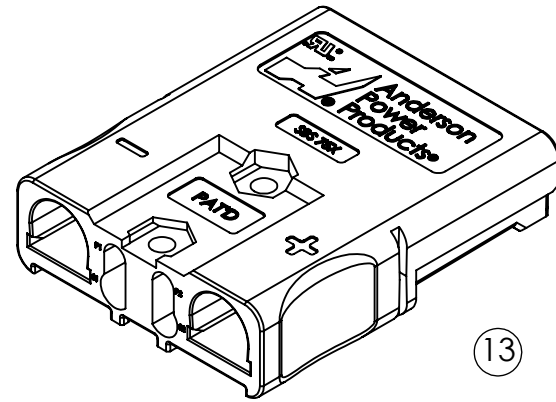
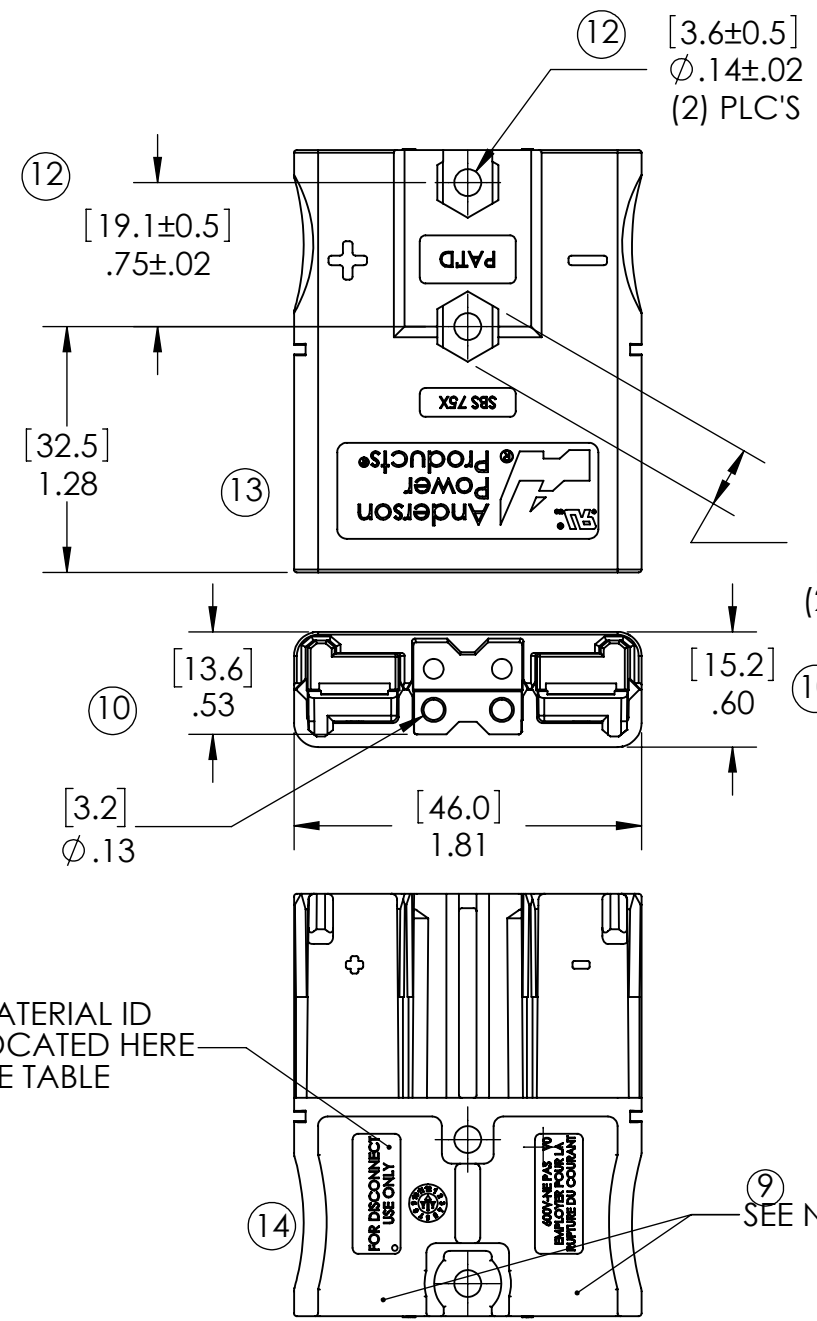


BLACK KEY

A



GREEN KEY



- NOTES:
- HOUSING MATERIAL: SEE TABLE
 - SPRING MATERIAL: STAINLESS STEEL
 - CONTACT FACTORY FOR ADDITIONAL COLORS & KEYS
 - MANUFACTURING AND AGENCY MARKINGS SHOWN ON THIS SURFACE.

COLOR	VOLTAGE	APP PART NO.	MATERIAL
GRAY	36	SBS75XGRA	POLYCARBONATE
		PSBS75XGRA	PBT + PC
BLUE	48	SBS75XBLU	POLYCARBONATE
		PSBS75XBLU	PBT + PC
GREEN	72	SBS75XGRN	POLYCARBONATE
		PSBS75XGRN	PBT + PC
BLACK	80	SBS75XBLK	POLYCARBONATE
		PSBS75XBLK	PBT + PC
BROWN	96	SBS75XBRN	POLYCARBONATE
		PSBS75XBRN	PBT + PC
WHITE	192	SBS75XWHT	POLYCARBONATE
		PSBS75XWHT	PBT + PC

REV.	DESCRIPTION	APPRV	DATE
14	ECN 2024-0044 - Add Date Wheel	JMB	3/28/2024
13	ECN 2022-0103 - UPDATED APP LOGOS PER 113826P SPEC.	CPD	9/29/2022
12	ECN 2022-0036 - .75±.02 WAS .750±.005, .14±.02 WAS .140±.005	CPD	4/6/2022
11	ECN 2021-0065 - ADDED COLOR CONFIGURATIONS	CPD	10/14/2021
10	ECN 2020-0061 - ADDED DIMENSIONS	CPD	8/27/2020
9	ECN 2016-0112 - ADDED NOTE 4 AND REM. MATERIAL I.D.	CPD	12/19/2016
8	ECN 2016-0088	CPD	9/29/2016
7	ECRN 14926	LLD	6/21/2011
6	ECRN 14911	LLD	5/20/2011
5	ECRN 14848	NTS	3/4/2011
4	ECRN 14589	NTS	3/25/10
3	ECRN 14257	AMS	5/13/08
REV.	DESCRIPTION	APPRV	DATE

DIMENSIONS ARE IN:	MM [INCH]	APPROVALS		<p>ANDERSON POWER PRODUCTS</p> <p>TITLE</p> <p>SBS 75X DUAL POLE HOUSING OUTLINE</p>
UNLESS OTHERWISE STATED		DRAWN	9/27/2007	
TOLERANCES:		CHECKED	10/2/2007	
DECIMALS (INCH) DECIMALS (MM) ANGLES		MFG APPRV	9/27/2007	
SURFACE FINISH:		QC APPRV	10/2/2007	
MACHINED 64 [1.6]		ENG APPRV	9/27/2007	
MOLDED 32 [0.8]				
MATERIAL:		SIZE	DWG NO.	REV.
FINISH:		B	B02044S2	14
-CAD GENERATED DRAWING- DO NOT MANUALLY UPDATE DO NOT SCALE		SCALE	CADFILE	SHEET
3rd ANGLE PROJECTION		1:1	02716	1 OF 1