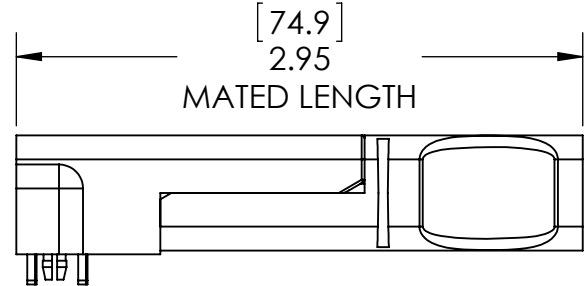
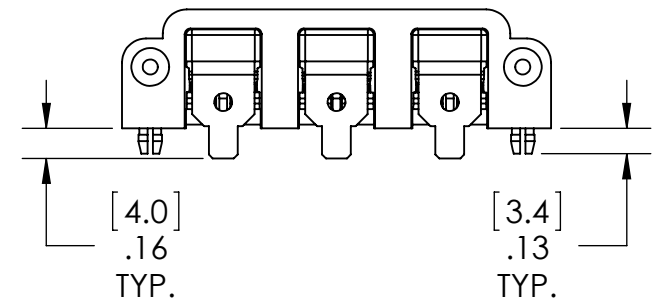
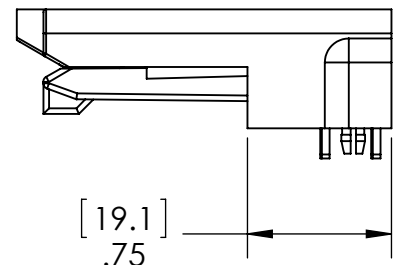
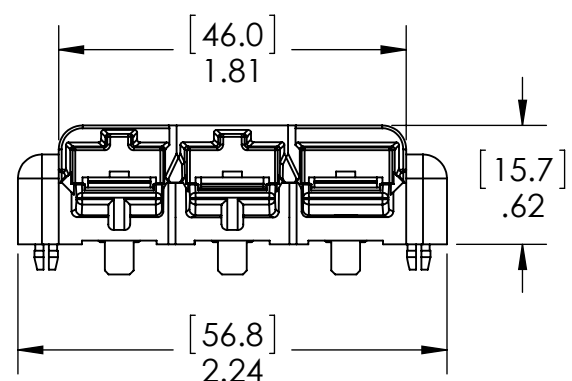
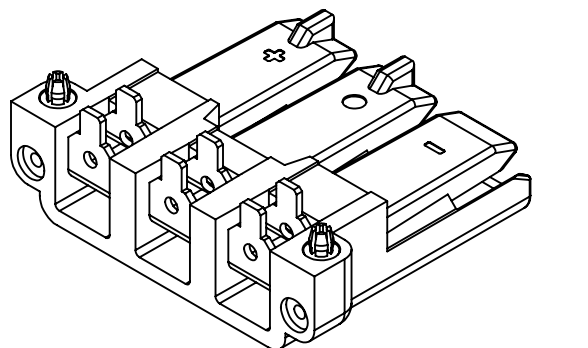
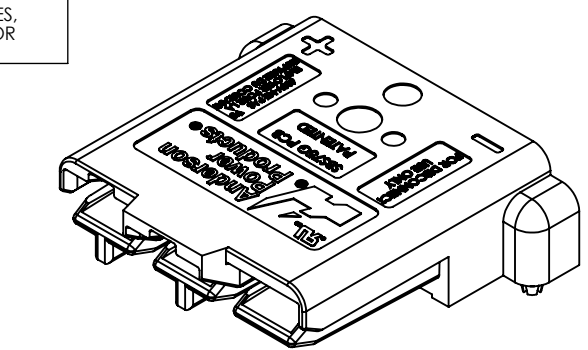
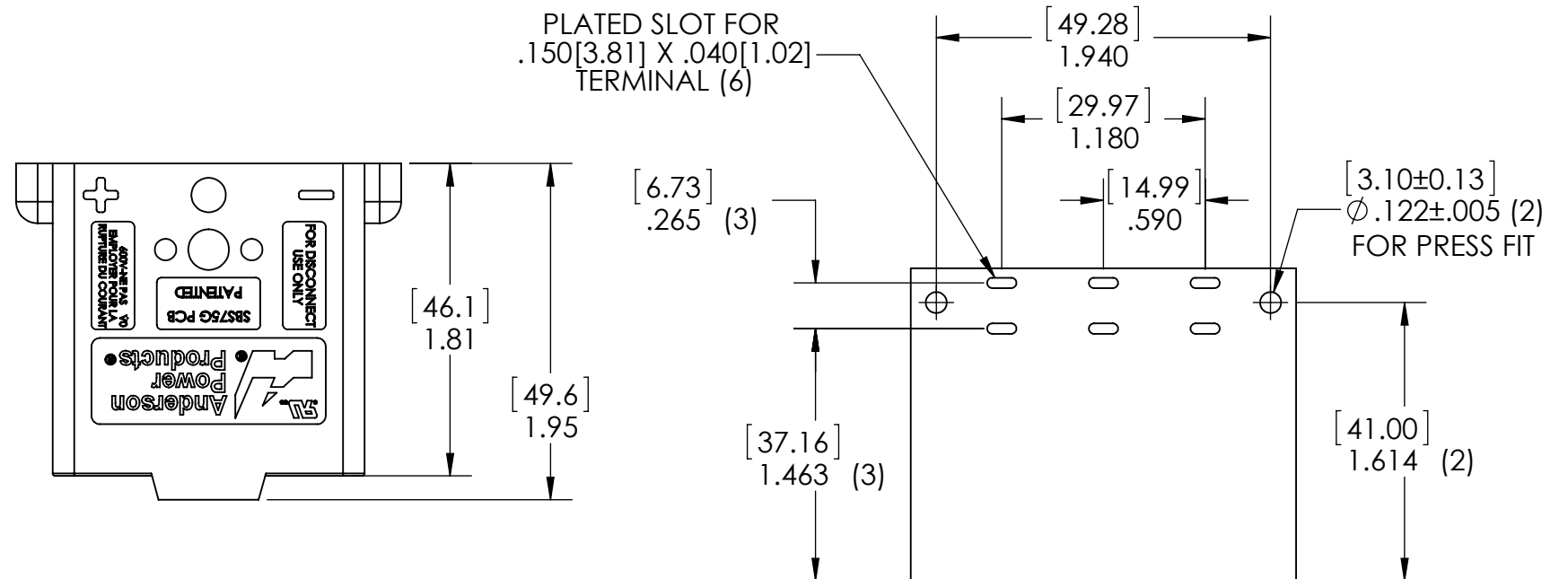
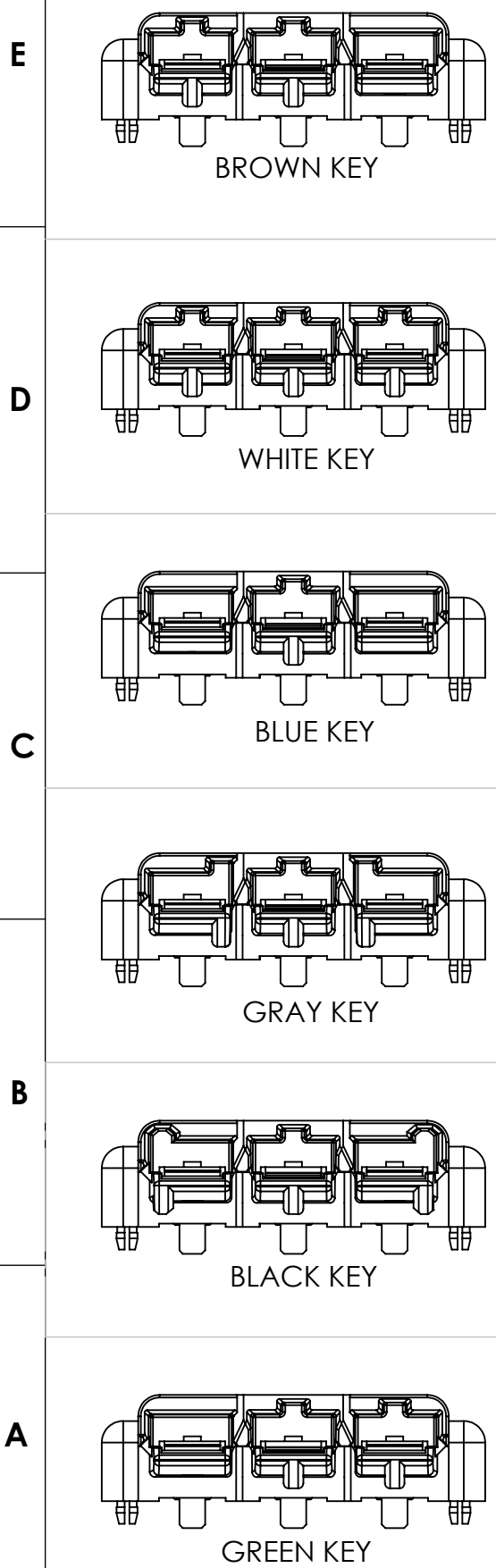


THE INFORMATION CONTAINED IN THIS DRAWING IS THE SOLE PROPERTY OF ANDERSON POWER PRODUCTS. ANY REPRODUCTION IN PART OR WHOLE WITHOUT THE WRITTEN PERMISSION OF ANDERSON POWER PRODUCTS IS PROHIBITED.

Copyright 2011

ANDERSON POWER PRODUCTS RESERVES THE RIGHT TO ALTER PRODUCT TYPES, THEIR TECHNICAL DATA, DIMENSION, STYLE AND ACCESSORIES WITHOUT PRIOR NOTIFICATION.



- NOTES:
- HOUSING MATERIAL: POLYCARBONATE
 - CONTACT MATERIAL: COPPER ALLOY WITH TIN PLATE
 - CONTACT FACTORY FOR ADDITIONAL COLORS & KEYS

COLOR	APP PART NUMBER
BROWN	NOT ASSIGNED
WHITE	NOT ASSIGNED
BLUE	NOT ASSIGNED
GRAY	NOT ASSIGNED
BLACK	SBS75GPRBLK
GREEN	NOT ASSIGNED

DIMENSIONS ARE IN:	INCH [MM]	APPROVALS	
UNLESS OTHERWISE STATED		DRAWN	
TOLERANCES:		NTS	6/15/2011
DECIMALS (INCH) DECIMALS (MM) ANGLES		CHECKED	
.XX ±.02 .X ±.5 ±2°		LLD	6/16/2011
SURFACE FINISH:		MFG APPRV	
MACHINED 64 [1.6]		BD	6/16/2011
MOLDED 32 [0.8]		QC APPRV	
MATERIAL: SEE NOTES		UFN	6/16/2011
FINISH:		ENG APPRV	
		BD	6/16/2011

ANDERSON POWER PRODUCTS		
TITLE APP KEYING OUTLINE FOR SBS75G PCB THREE POLE CONNECTOR		
SIZE	DWG NO.	REV.
B	B02108S3	0
SCALE	CADFILE	SHEET
NONE	03371	1 OF 1

REV.	DESCRIPTION	APPRV	DATE
REVISIONS			

3rd ANGLE PROJECTION

-CAD GENERATED DRAWING-
DO NOT MANUALLY UPDATE
DO NOT SCALE