

THE INFORMATION CONTAINED IN THIS DRAWING IS THE SOLE PROPERTY OF ANDERSON POWER PRODUCTS. ANY REPRODUCTION IN PART OR WHOLE WITHOUT THE WRITTEN PERMISSION OF ANDERSON POWER PRODUCTS IS PROHIBITED.

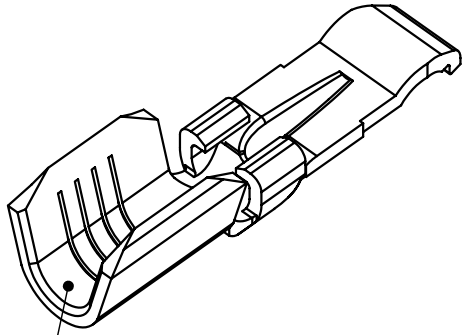
D

C

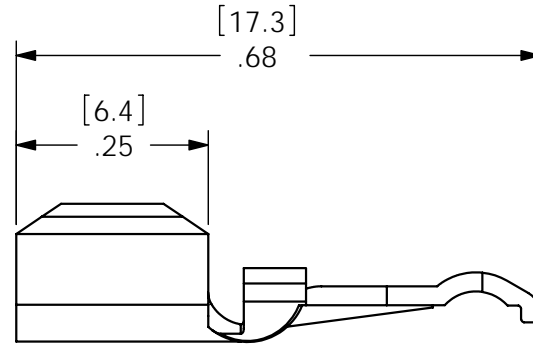
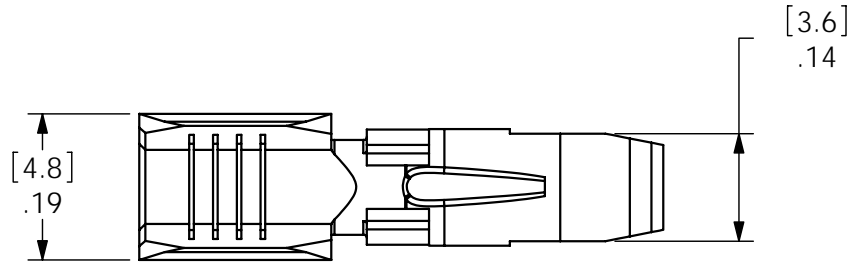
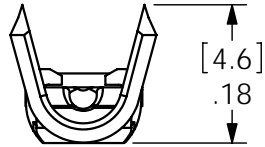
B

A

REV.	DESCRIPTION OF CHANGES	BY:	DATE
2	ECRN 13212: REDRAWN	CMS	6/15/99
3	ECRN 14110: REDRAWN	AMS	02/28/07



BARREL SIZED FOR #12-16 AWG WIRE



ITEM NO.	PART OR IDENTIFYING NO.	NOMENCLATURE OR DESCRIPTION	MATERIAL SPECIFICATION	QTY RECD
COPYRIGHT 1999 ANDERSON POWER PRODUCTS. ALL RIGHTS RESERVED. UNAUTHORIZED REPRODUCTION HEREBY PROHIBITED.				
DIMENSIONS ARE IN INCHES DIMENSIONS IN PARENTHESES [ ] ARE IN MILLIMETERS		CAD GENERATED DRAWING, DO NOT MANUALLY UPDATE	ANDERSON POWER PRODUCTS	
TOLERANCES ARE: 2PL- ±.02 [±.5]		APPROVALS	DATE	
MATERIALS: <i>COPPER</i>		DRAWN AC	10/1/93	
FINISH <i>HOT TIN DIP</i>		CHECKED DJD	10/1/93	
NEXT ASSY	USED ON	RESP ENG UFN	10/1/93	
APPLICATION		MFG ENG CHB	10/1/93	
DO NOT SCALE DRAWING		QUAL ENG HN	10/1/93	
SCALE NONE			CADFILES/01036	SHEET 1 OF 1
SPECIFICATION: 112718S3			REV. 3	

D

C

B

A