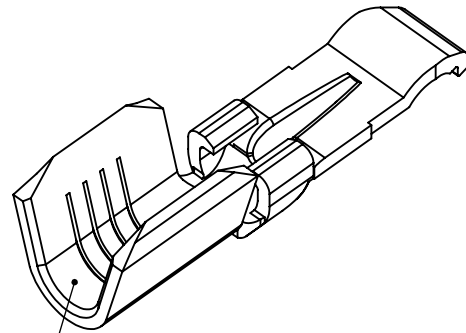


8 7 6 5 4 3 2 1

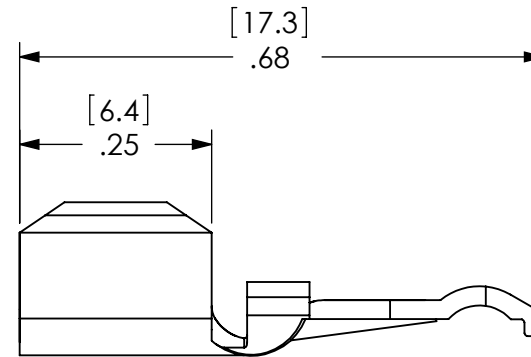
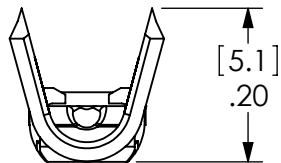
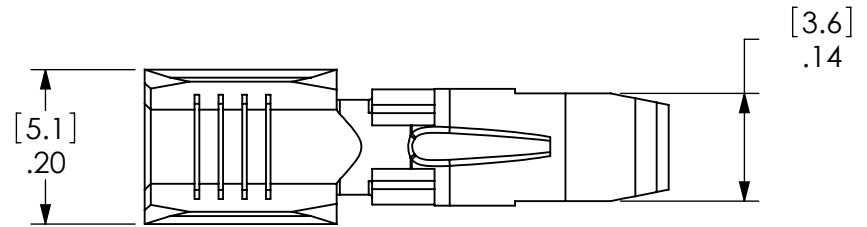
THE INFORMATION CONTAINED IN THIS DRAWING IS THE SOLE PROPERTY OF ANDERSON POWER PRODUCTS. ANY REPRODUCTION IN PART OR WHOLE WITHOUT THE WRITTEN PERMISSION OF ANDERSON POWER PRODUCTS IS PROHIBITED.

Copyright 2009

ANDERSON POWER PRODUCTS RESERVES THE RIGHT TO ALTER PRODUCT TYPES, THEIR TECHNICAL DATA, DIMENSION, STYLE AND ACCESSORIES WITHOUT PRIOR NOTIFICATION.



BARREL FOR
#10-14 AWG WIRE



DIMENSIONS ARE IN: INCH[MM]		APPROVALS		ANDERSON POWER PRODUCTS									
UNLESS OTHERWISE STATED		DRAWN	NTS	6/18/09	TITLE CATALOG #261G3 PP45 REEL CONTACT TYPE "F" CRIMP								
TOLERANCES:		CHECKED	DJD	6/18/09									
DECIMALS (INCH)	DECIMALS (MM)	ANGLES	MFG APP	CHB		6/18/09							
.XX ± .02	.X ± .5	±2°	QC APP	UFN		6/18/09							
SURFACE FINISH:		MACHINED		128 [3.2]	ENG APP	BD	6/18/09	SIZE	A/A4	DWG NO.	112718S7	REV.	0
MOLDED		64 [1.6]		MATERIAL:		COPPER		SCALE	NONE	CADFILE	02926	SHEET	1 OF 1
FINISH:		SILVER PLATE		-CAD GENERATED DRAWING-		DO NOT MANUALLY UPDATE		DO NOT SCALE					

*	*****	***	*****
REV.	DESCRIPTION OF CHANGES	APPROVED	DATE

8 7 6 5 4 3 2 1