

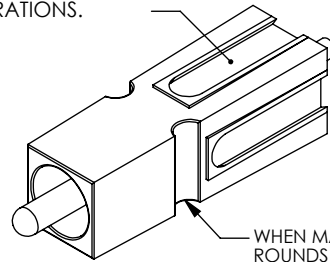
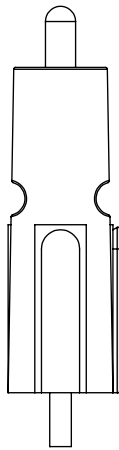
THE INFORMATION CONTAINED IN THIS DRAWING IS THE SOLE PROPERTY OF ANDERSON POWER PRODUCTS. ANY REPRODUCTION IN PART OR WHOLE WITHOUT THE WRITTEN PERMISSION OF ANDERSON POWER PRODUCTS IS PROHIBITED.

Copyright 2009

ANDERSON POWER PRODUCTS RESERVES THE RIGHT TO ALTER PRODUCT TYPES, THEIR TECHNICAL DATA, DIMENSION, STYLE AND ACCESSORIES WITHOUT PRIOR NOTIFICATION.

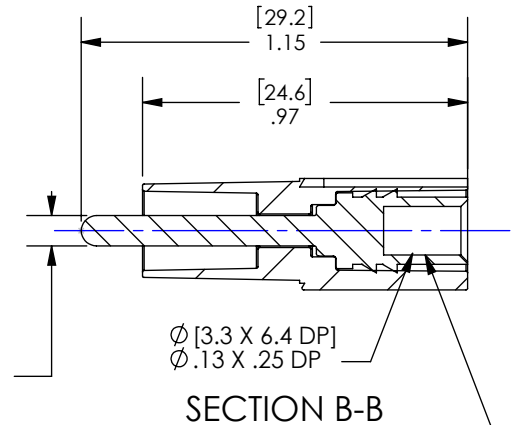
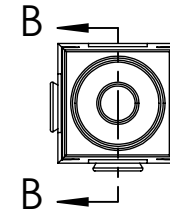
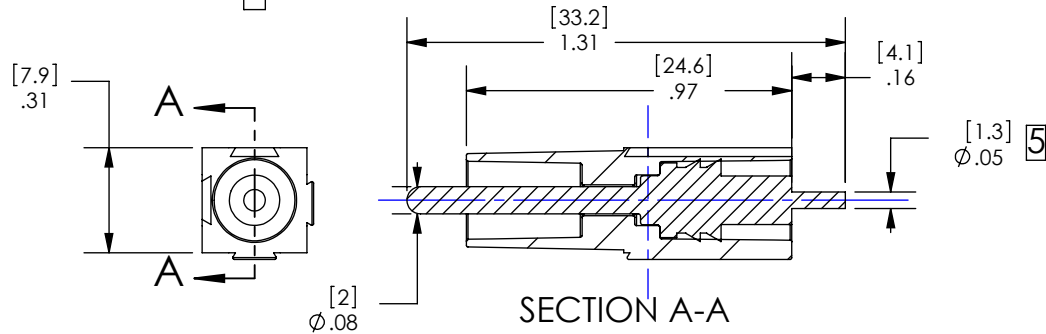
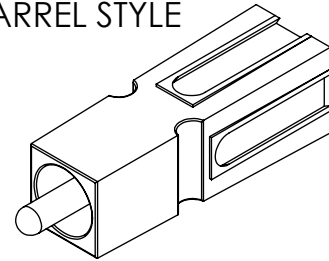
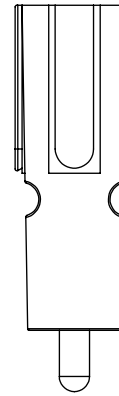
PCB TAIL STYLE

DOVETAILS ALLOW STACKING IN VERTICAL, HORIZONTAL, OR IN BLOCK CONFIGURATIONS.



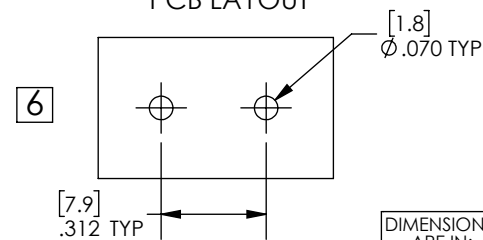
WHEN MATED SIDE TO SIDE, HALF-ROUNDS ALIGN TO FORM A SLOT FOR ROLL PIN INSERTION, WHICH PROTECTS AGAINST ACCIDENTAL DISLODGING OF MATED HOUSINGS.

CRIMP BARREL STYLE



NOTE: CONTACT MUST BE CRIMPED ONTO WIRE BEFORE CONTACT IS INSERTED INTO THE HOUSING ①

PCB LAYOUT



ORDERING INFO FOR CONTACT/HOUSING SETS		
CAT. NO.	TERM. STYLE	PLATING
PP30MF-P10T	CRIMP	TIN
PP30MF-P1CT	PCB	TIN

DIMENSIONS ARE IN:	INCH [MM]
UNLESS OTHERWISE STATED	
TOLERANCES:	
DECIMALS (INCH)	DECIMALS (MM) ANGLES
.XX ± .015	.X ± .38 ± .5°
.XXX ± .005	.XX ± .13
SURFACE FINISH:	
MACHINED	128µin [3.2µ]
MOLDED	64µin [1.6µ]
MATERIAL: SEE NOTES	
FINISH:	

APPROVALS	
DRAWN	CMS 1/25/1999
CHECKED	DJD 1/26/1999
MFG APPRV	CHB 10/21/2001
QC APPRV	RPO 10/10/2001
ENG APPRV	UFN 10/22/2001

TITLE		
POWERPOLE 30 AMP GROUND PIN MAKE FIRST, BREAK LAST		
SIZE	DWG NO.	REV.
A	113919S2	6
SCALE	CADFILE	SHEET
1.75:1	01126	1 OF 1

REV.	DESCRIPTION	APPRV	DATE
6	ECN 2021-0020 - ADDED PCB LAYOUT AND REM. SILVER PARTS	CPD	3/25/2021
5	ECRN-15521 CORRECTED PCB PIN OUTLINE	TWE	11/25/2013
4	ECRN-14617 NEW REF DIMENSION	TWE	3/7/11
3	ECRN-13484 ADD CAT. NO. TABLE	CMS	5/16/02
2	ECRN-13433	CMS	10/23/01
1	ECRN-13287 CRIMP NOTE	CMS	1/13/00
REVISIONS			



-CAD GENERATED DRAWING-
DO NOT MANUALLY UPDATE
DO NOT SCALE