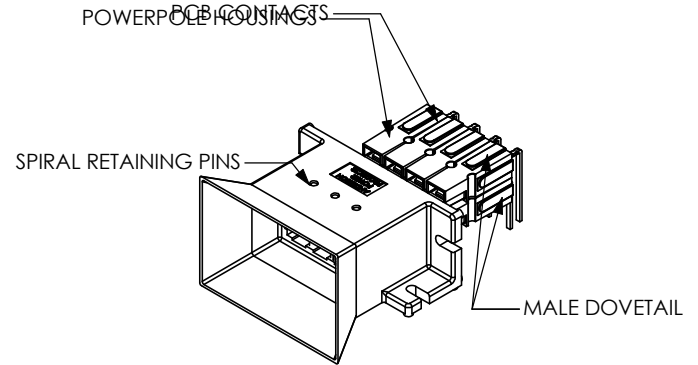
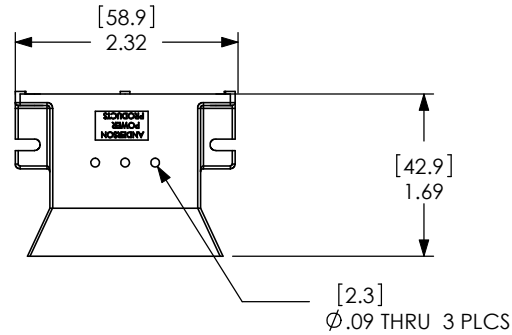
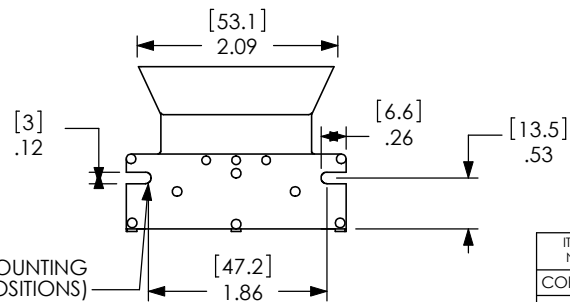
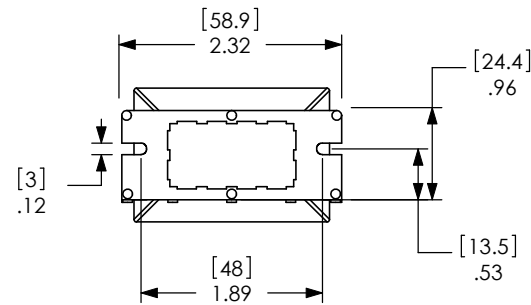
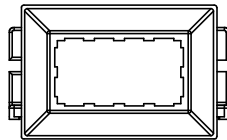
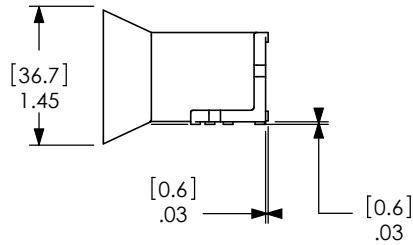


THE INFORMATION CONTAINED IN THIS DRAWING IS THE SOLE PROPERTY OF ANDERSON POWER PRODUCTS. ANY REPRODUCTION IN PART OR WHOLE WITHOUT THE WRITTEN PERMISSION OF ANDERSON POWER PRODUCTS IS PROHIBITED.



TYPICAL ASSEMBLY FOR PCB MOUNTING



#4-40 SCREW MOUNTING LOCATION (4 POSITIONS)

NOTES:  
REFER TO BLINDMATE ORDER FORM FOR POSSIBLE CONFIGURATIONS  
FOR ASSEMBLY INSTRUCTIONS REFER TO POWERPOLE PAK  
ASSEMBLY INSTRUCTIONS

| ITEM NO.  | PART OR IDENTIFYING NO. | NOMENCLATURE OR DESCRIPTION                      | MATERIAL SPECIFICATION | QTY REQD                       |
|---|-------------------------|--|------------------------|--------------------------------|
| COPYRIGHT 2001 ANDERSON POWER PRODUCTS. ALL RIGHTS RESERVED. UNAUTHORIZED REPRODUCTION HEREBY PROHIBITED. |                         |  |                        |                                |
| DIMENSIONS ARE IN INCHES<br>DIMENSIONS IN PARENTHESES<br>[ ] ARE IN MILLIMETERS                           |                         | CAD GENERATED DRAWING.<br>DO NOT MANUALLY UPDATE |                        | <b>ANDERSON POWER PRODUCTS</b> |
| TOLERANCES ARE:<br>2PL- ±.02 [±.5]  |                         | APPROVALS  | DATE                   |                                |
| MATERIALS:<br>UL94-V0   |                         | DRAWN  | CMS                    | 3/2/01                         |
| FINISH<br>AS MOLDED   |                         | CHECKED  | DJD                    | 3/12/01                        |
| NEXT ASSY   |                         | USED ON  | RESP ENG               | UFN                            |
| APPLICATION   |                         | DO NOT SCALE DRAWING                             | MFG ENG                | CHB                            |
|   |                         |  | QUAL ENG               | RPO                            |
|   |                         |  | DATE                   | 3/19/01                        |
|   |                         |  | SCALE                  | NONE                           |
|   |                         |  | CADFILES/01389         | SHEET 1 OF 1                   |
|   |                         |  | SPECIFICATION:         | 2-8349S1                       |
|   |                         |  | REV.                   | 0                              |