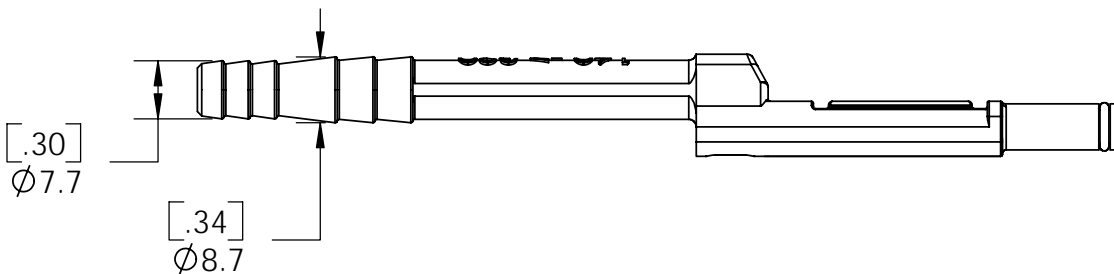
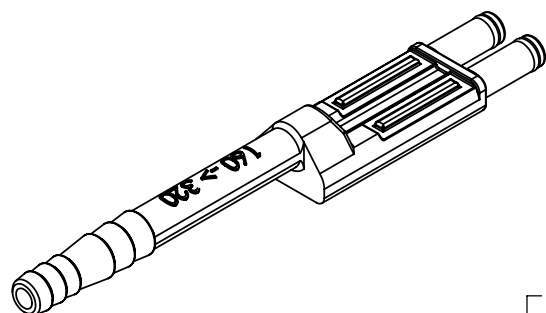
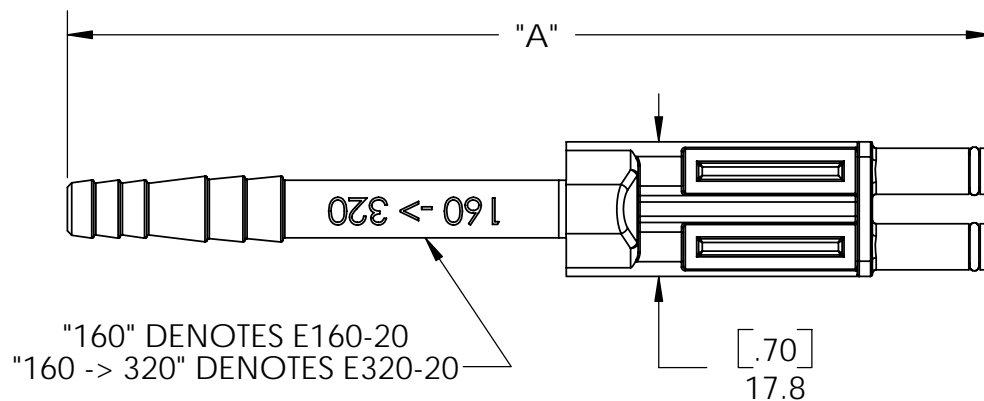
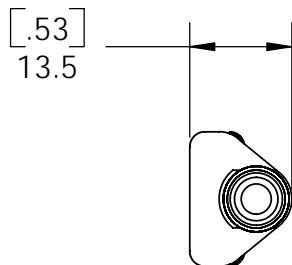


THE INFORMATION CONTAINED IN THIS DRAWING IS THE SOLE PROPERTY OF ANDERSON POWER PRODUCTS. ANY REPRODUCTION IN PART OR WHOLE WITHOUT THE WRITTEN PERMISSION OF ANDERSON POWER PRODUCTS IS PROHIBITED.

Copyright 2006

ANDERSON POWER PRODUCTS RESERVES THE RIGHT TO ALTER PRODUCT TYPES, THEIR TECHNICAL DATA, DIMENSION, STYLE AND ACCESSORIES WITHOUT PRIOR NOTIFICATION.



PART NO.	DESCRIPTION	"A"
E160-20	160A MALE AIR TUBE	106.7[4.20]
E320-20	320A MALE AIR TUBE	122.2[4.81]

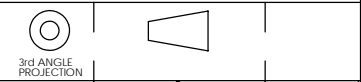
DIMENSIONS ARE IN:	MM[INCH]	APPROVALS	
UNLESS OTHERWISE STATED		AMS	01/06/06
TOLERANCES:		DJD	01/10/06
DECIMALS (INCH)	DECIMALS (MM)	CHB	01/09/06
XX ± .02	X ± .5	UFN	01/09/06
ANGLES ± 2°		DAM	01/06/06
SURFACE FINISH:		MFG APP	
MACHINED	128 [3.2] ✓	CHB	
MOLDED	64 [1.6] ✓	QC APP	
MATERIAL: SEE B/M		ENG APP	
FINISH: SEE B/M		DAM	

ANDERSON POWER PRODUCTS

TITLE

SALES OUTLINE
TWIN AIR TUBE (MALE)
160A & 320A DIN CONNECTORS

REV.	DESCRIPTION OF CHANGES	APPROVED	DATE
1	ECRN 13957 - CHANGES PER ISIR	AMS	2/9/06



-CAD GENERATED DRAWING-
DO NOT MANUALLY UPDATE
DO NOT SCALE

SIZE	DWG NO.	REV.
A/A4	E320-20S1	1
SCALE	CADFILE	SHEET
NONE	02489	1 OF 1