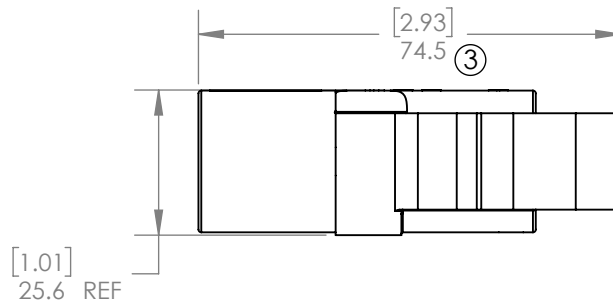
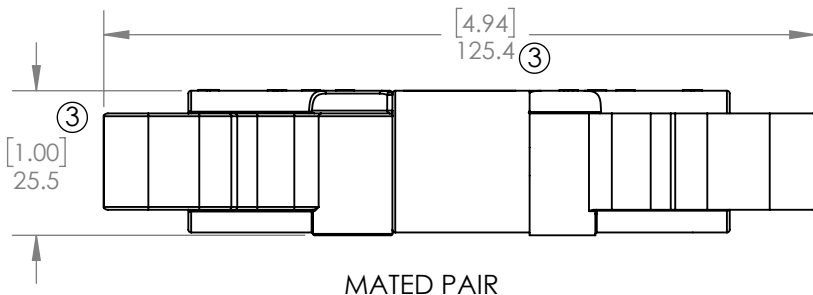
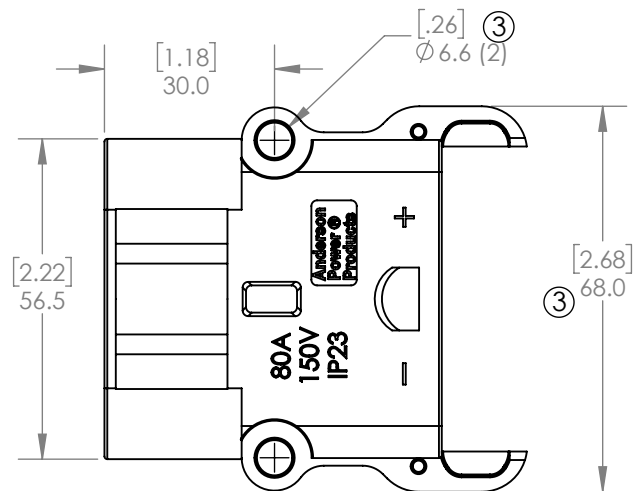
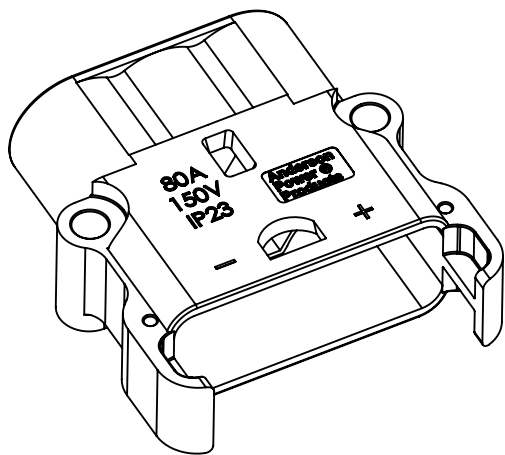


8 7 6 5 4 3 2 1

THE INFORMATION CONTAINED IN THIS DRAWING IS THE SOLE PROPERTY OF ANDERSON POWER PRODUCTS. ANY REPRODUCTION IN PART OR WHOLE WITHOUT THE WRITTEN PERMISSION OF ANDERSON POWER PRODUCTS IS PROHIBITED.

Copyright 2017

ANDERSON POWER PRODUCTS RESERVES THE RIGHT TO ALTER PRODUCT TYPES, THEIR TECHNICAL DATA, DIMENSION, STYLE AND ACCESSORIES WITHOUT PRIOR NOTIFICATION.



PART NO.	DESCRIPTION	MATERIAL	COLOR
80-1	ABC PIN HSG. (80A)	NYLON	BLACK
EP80-1	EBC PIN HSG. (80A)	PBT-PC BLEND	GRAY

REV.	DESCRIPTION	APPRV	DATE
3	ECN 2016-0096-	CMS	1/18/2017
2	ECRN 14292: REMOVE "E" & "EN" SERIES PART NUMBERS	AMS	7/24/08
1	ECRN 13946: ADD "EP" & "EN" SERIES PART NUMBERS	AMS	1/19/06

REVISIONS

DIMENSIONS ARE IN:		INCH [MM]		APPROVALS		ANDERSON POWER PRODUCTS	
UNLESS OTHERWISE STATED				DRAWN	AMP	6/7/2005	TITLE SALES OUTLINE 80A MALE PIN HOUSING
TOLERANCES:				CHECKED	DJD	6/9/2005	
DECIMALS (INCH)	DECIMALS (MM)	ANGLES		MFG APPRV	CHB	6/7/2005	
.XX ± .015	.X ± .38	± 5°		QC APPRV	JJA	6/9/2005	
.XXX ± .005	.XX ± .13			ENG APPRV	DAM	6/8/2005	SIZE A DWG NO. E80-1S1 REV. 3
SURFACE FINISH:				MATERIAL:		SCALE	
MACHINED 128µin [3.2µ]				SEE TABLE		0.75:1	
MOLDED 64µin [1.6µ]				FINISH:		CADFILE	
				-CAD GENERATED DRAWING- DO NOT MANUALLY UPDATE DO NOT SCALE		SHEET	
						02359	
						1 OF 1	

8 7 6 5 4 3 2 1