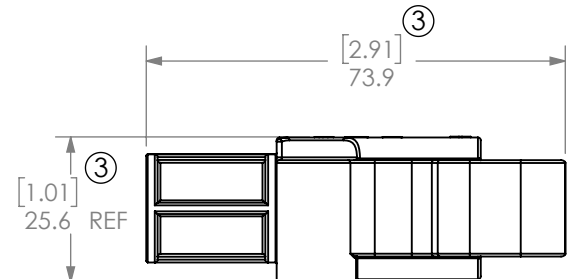
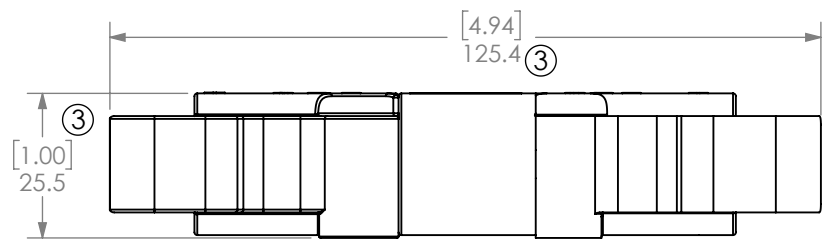
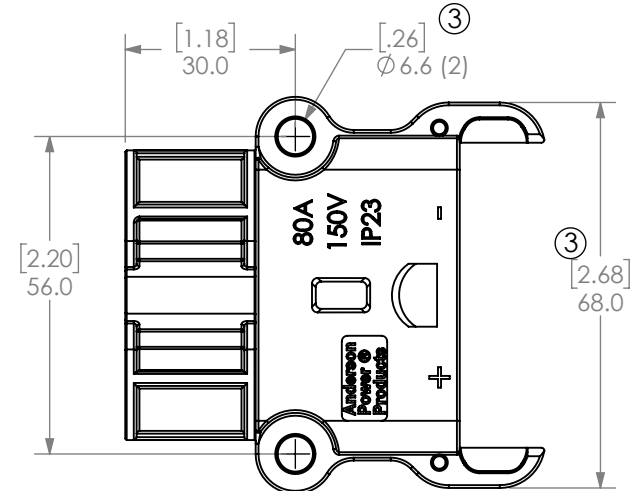
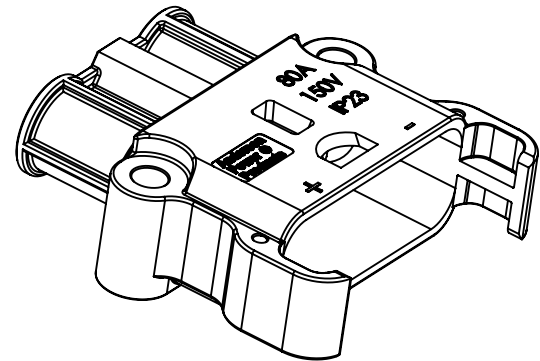


8 7 6 5 4 3 2 1

THE INFORMATION CONTAINED IN THIS DRAWING IS THE SOLE PROPERTY OF ANDERSON POWER PRODUCTS. ANY REPRODUCTION IN PART OR WHOLE WITHOUT THE WRITTEN PERMISSION OF ANDERSON POWER PRODUCTS IS PROHIBITED.

Copyright 2017

ANDERSON POWER PRODUCTS RESERVES THE RIGHT TO ALTER PRODUCT TYPES, THEIR TECHNICAL DATA, DIMENSION, STYLE AND ACCESSORIES WITHOUT PRIOR NOTIFICATION.



MATED PAIR

PART NO.	DESCRIPTION	MATERIAL	COLOR
80-2	ABC SOCKET HSG. (80A)	NYLON	BLACK
EP80-2	EBC SOCKET HSG. (80A)	PBT-PC BLEND	GRAY

DIMENSIONS ARE IN:	INCH [MM]
UNLESS OTHERWISE STATED	
TOLERANCES:	
DECIMALS (INCH)	DECIMALS (MM) ANGLES
.XX ± .015	.X ± .38 ± .5°
.XXX ± .005	.XX ± .13
SURFACE FINISH:	
MACHINED	128µin [3.2µ]
MOLDED	64µin [1.6µ]
MATERIAL: SEE TABLE	
FINISH:	
	3rd ANGLE PROJECTION

APPROVALS	
DRAWN	AMP 6/7/2005
CHECKED	DJD 6/9/2005
MFG APPRV	CHB 6/7/2005
QC APPRV	JJA 6/9/2005
ENG APPRV	DAM 6/8/2005

ANDERSON POWER PRODUCTS

TITLE: SALES OUTLINE 80A FEMALE SOCKET HOUSING

SIZE: A DWG NO. E80-2S1 REV. 3

SCALE: 0.75:1 CADFILE: 02360 SHEET: 1 OF 1

REV.	DESCRIPTION	APPRV	DATE
3	ECN 2016-0096-	CMS	1/18/2017
2	ECRN 14292- REMOVE "E" & "EN" SERIES PART NUMBERS	AMS	7/25/08
1	ECRN 13946- ADD "EP" & "EN" SERIES PART NUMBERS	AMS	01/19/06
REVISIONS			

8 7 6 5 4 3 2 1