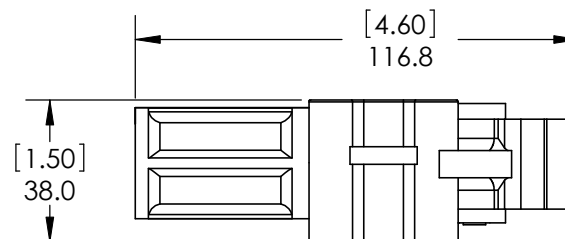
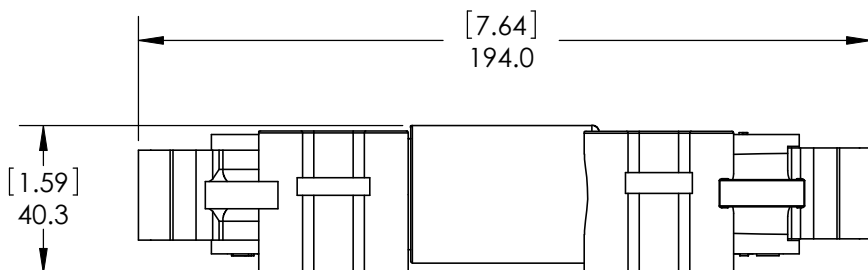
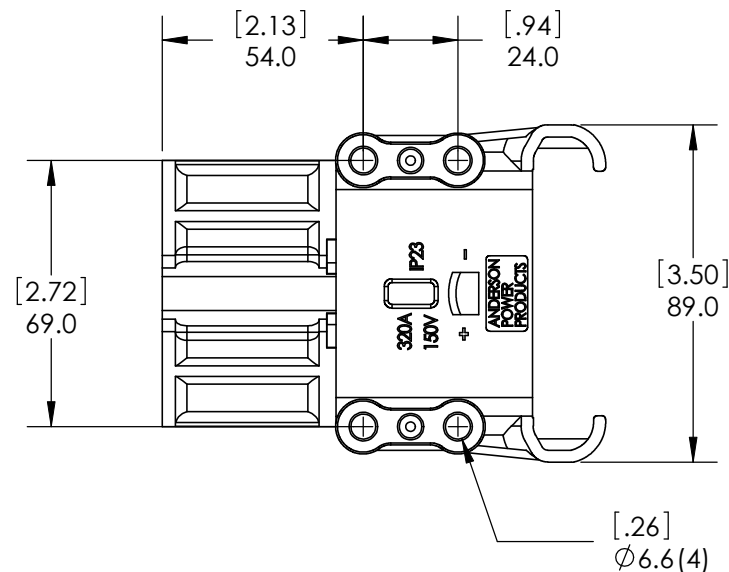
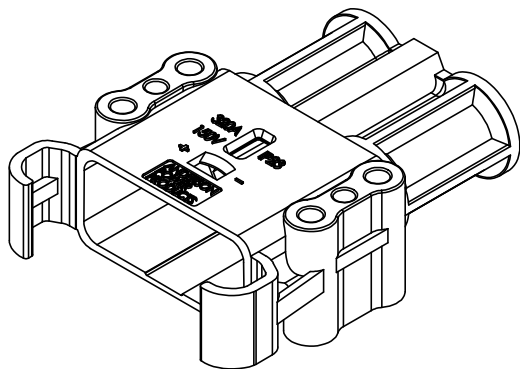


THE INFORMATION CONTAINED IN THIS DRAWING IS THE SOLE PROPERTY OF ANDERSON POWER PRODUCTS. ANY REPRODUCTION IN PART OR WHOLE WITHOUT THE WRITTEN PERMISSION OF ANDERSON POWER PRODUCTS IS PROHIBITED.

Copyright 2006

ANDERSON POWER PRODUCTS RESERVES THE RIGHT TO ALTER PRODUCT TYPES, THEIR TECHNICAL DATA, DIMENSION, STYLE AND ACCESSORIES WITHOUT PRIOR NOTIFICATION.



**MATED PAIR**

PART NO.	DESCRIPTION	MATERIAL	COLOR
320-2	ABC SOCKET HSG. (320A)	NYLON	BLACK
EP320-2	EBC SOCKET HSG. (320A)	PBT-PC BLEND	GRAY

DIMENSIONS ARE IN:	<input checked="" type="checkbox"/> INCH [MM]	<input type="checkbox"/> MM [INCH]
UNLESS OTHERWISE STATED		
TOLERANCES:		
DECIMALS (INCH)	DECIMALS (MM)	ANGLES
.XX ±.02	.X ±.5	±2°
SURFACE FINISH:		
MACHINED	128 [3.2]	<input checked="" type="checkbox"/>
MOLDED	64 [1.6]	<input checked="" type="checkbox"/>
MATERIAL: SEE DATA SHEET FOR MATERIAL SPECS		
FINISH: N/A		
3rd ANGLE PROJECTION		1st ANGLE PROJECTION

APPROVALS	
DRAWN	AMP 6/7/05
CHECKED	DJD 6/9/05
MFG APP	CHB 6/7/05
QC APP	JJA 6/9/05
ENG APP	DAM 6/8/05

ANDERSON POWER PRODUCTS		
TITLE		
SALES OUTLINE		
320A FEMALE SOCKET HOUSING		
SIZE	DWG NO.	REV.
A/A4	E320-2S1	3
SCALE	CADFILE	SHEET
NONE	02356	1 OF 1

REV.	DESCRIPTION OF CHANGES	APPROVED	DATE
3	ECRN 14292 - REMOVE "E" & "EN" SERIES PART NUMBERS	AMS	07/25/08
2	ECRN 14013 - CHANGES PER ISIR 06-004A	AMS	05/24/06
1	ECRN 13946 - ADD "EP" & "EN" SERIES PART NUMBERS	AMS	01/19/06

-CAD GENERATED DRAWING-  
DO NOT MANUALLY UPDATE  
DO NOT SCALE