

HOUSING DIMENSIONS

THE INFORMATION CONTAINED IN THIS DRAWING IS THE SOLE PROPERTY OF ANDERSON POWER PRODUCTS. ANY REPRODUCTION IN PART OR WHOLE WITHOUT THE WRITTEN PERMISSION OF ANDERSON POWER PRODUCTS IS PROHIBITED.

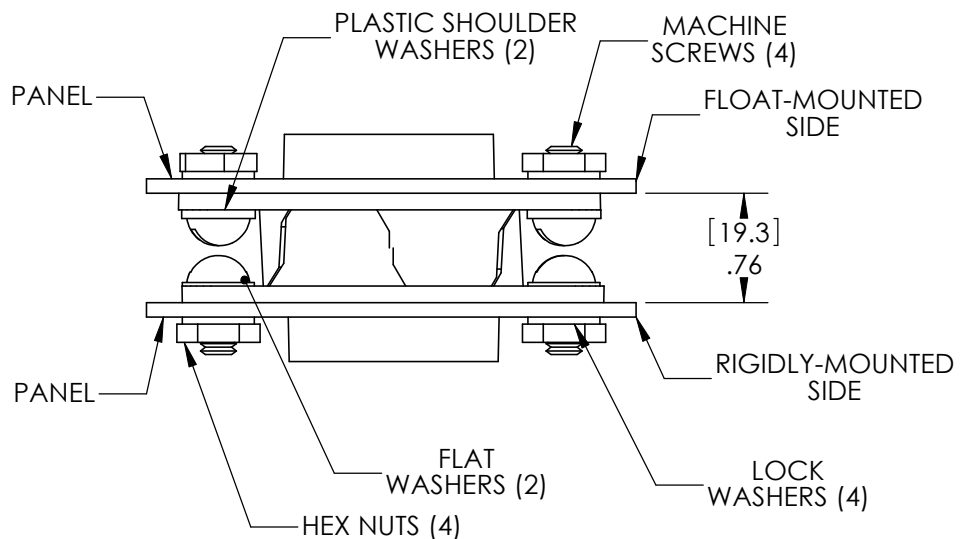
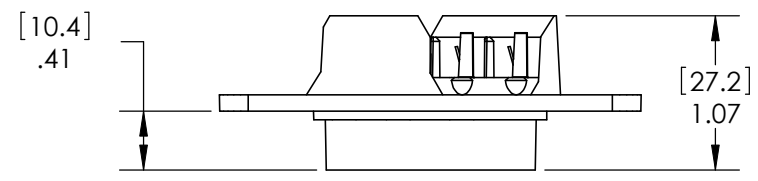
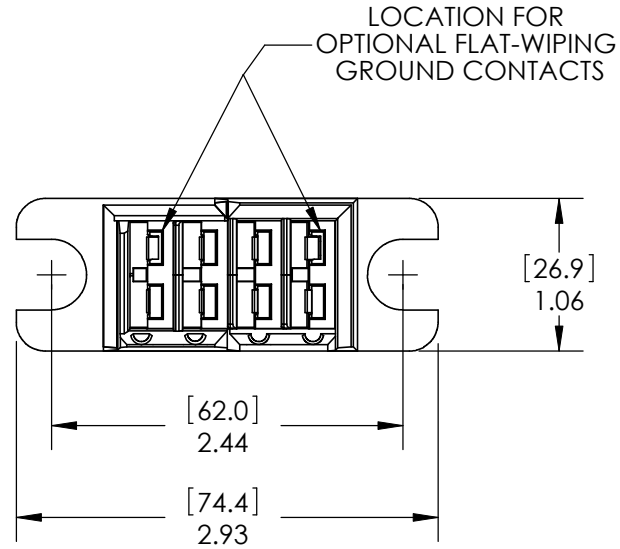
Copyright 2007

ANDERSON POWER PRODUCTS RESERVES THE RIGHT TO ALTER PRODUCT TYPES, THEIR TECHNICAL DATA, DIMENSION, STYLE AND ACCESSORIES WITHOUT PRIOR NOTIFICATION.

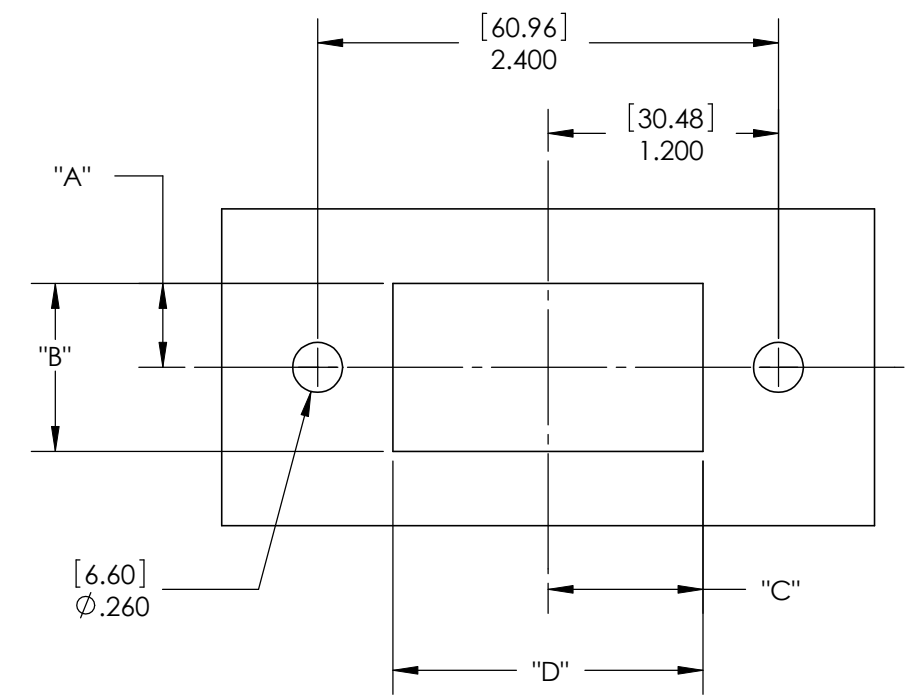
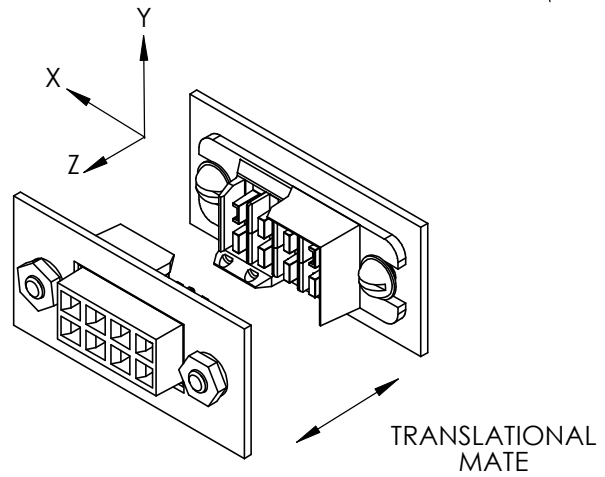
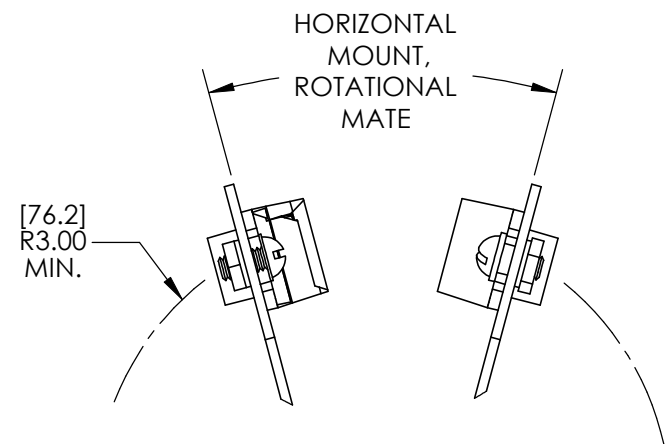
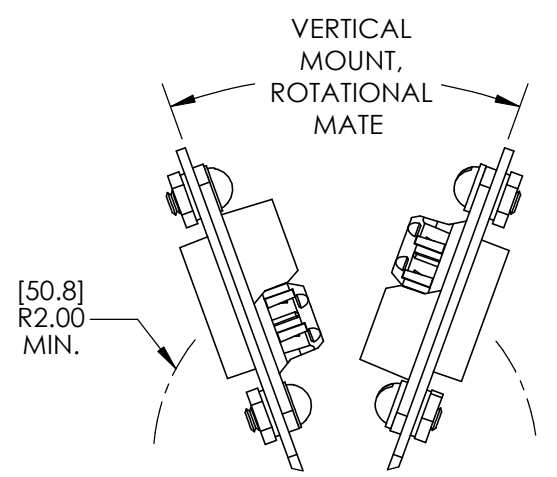
PANEL LAYOUT

E
D
C
B
A

E
D
C
B
A



CONNECTION METHODS



NOTES:

- ALL MATING & MOUNTING TOLERANCES ASSUME ONE CONNECTOR HALF IS FLOAT-MOUNTED.
- PRE-MATE GROUND CONTACTS MUST BE POSITIONED ON THE SIDE OF THE HOUSING LOCATED CLOSEST TO THE PIVOT POINT FOR HORIZONTAL MOUNT, ROTATIONAL MATING.
- MOUNTING TOLERANCES: MATING TOLERANCES:

X-AXIS ± .05[1.3]	Z-AXIS + 0 / -.015[0.38]
Y-AXIS ± .05[1.3]	ANGULAR + 0 / -0.25° @ R3.00 [76.2]
	+ 0 / -0.38° @ R2.00 [50.8]

MOUNTING	"A"	"B"	"C"	"D"	MOUNTING HDW. KIT
FLOAT	.508[12.89]	1.015[25.78]	.878[22.29]	1.755[44.58]	110G69
FIXED	.438[11.11]	.875[22.23]	.808[20.51]	1.615[41.02]	103G40

DIMENSIONS ARE IN: INCH[MM]	APPROVALS			ANDERSON POWER PRODUCTS	
UNLESS OTHERWISE STATED	DRAWN	AMS 02/08/07		SALES OUTLINE MARC 2X4 HOUSING ASSEMBLY (CAT. NO. 602G00)	
TOLERANCES:	CHECKED	DJD 02/09/07			
DECIMALS (INCH) .XX ± .02	MFG APP	CHB 02/08/07			
DECIMALS (MM) .X ± .5	QC APP	UFN 02/09/07			
ANGLES ± 2°	ENG APP	DAM 02/08/07	SIZE	DWG NO.	REV.
SURFACE FINISH:	SEE B/M		B/A3	114720S1	2
MACHINED 128 [3.2] ✓	SEE B/M		SCALE	CADFILE	SHEET
MOLDED 64 [1.6] ✓	SEE B/M		NONE	02632	1 OF 1
MATERIAL:	SEE B/M		-CAD GENERATED DRAWING- DO NOT MANUALLY UPDATE DO NOT SCALE		
FINISH:	SEE B/M				

REV.	DESCRIPTION OF CHANGES	APPROVED	DATE
2	ECRN 14541 - ADD MOUNTING METHODS SECTION	AMS	12/16/09
1	ECRN 14134 - CHANGE PRINT SIZE, ADD MNTG HDW	AMS	04/12/07

8 7 6 5 4 3 2 1