

THE INFORMATION CONTAINED IN THIS DRAWING IS THE SOLE PROPERTY OF ANDERSON POWER PRODUCTS. ANY REPRODUCTION IN PART OR WHOLE WITHOUT THE WRITTEN PERMISSION OF ANDERSON POWER PRODUCTS IS PROHIBITED.

Copyright 2008

ANDERSON POWER PRODUCTS RESERVES THE RIGHT TO ALTER PRODUCT TYPES, THEIR TECHNICAL DATA, DIMENSION, STYLE AND ACCESSORIES WITHOUT PRIOR NOTIFICATION.

D

D

C

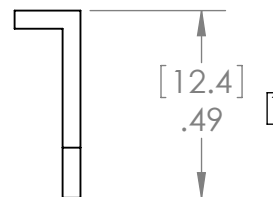
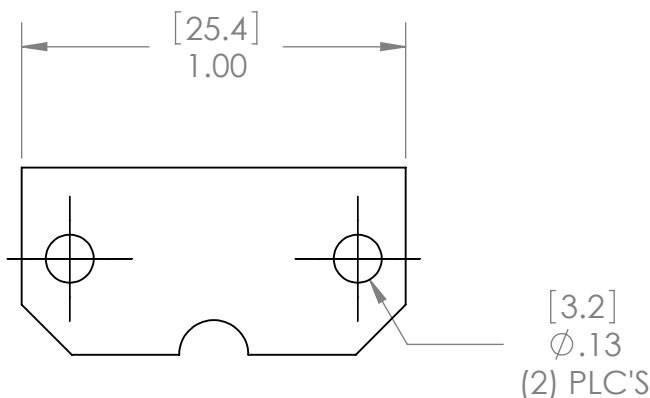
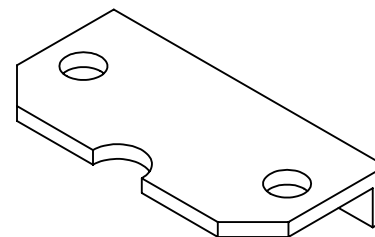
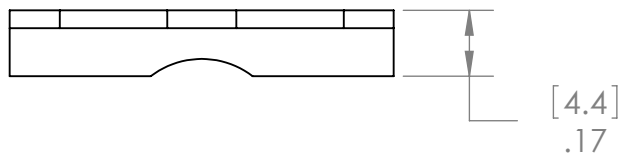
C

B

B

A

A



DIMENSIONS ARE IN:		INCH [MM]		APPROVALS			ANDERSON POWER PRODUCTS					
UNLESS OTHERWISE STATED		TOLERANCES:		DRAWN	1/14/2008		TITLE	CONDUIT CLAMP FOR 2X2 POWER SHELL (INCLUDED IN HARDWARE KIT 110G10)				
DECIMALS (INCH) DECIMALS (MM) ANGLES		.XX ± .02 .X ± .5 ±2°		CHECKED	1/15/2008							
SURFACE FINISH:		MACHINED 128µin [3.2µ]		MFG APPRV	1/14/2008							
MATERIA: STEEL FINISH:		MOLDED 64µin [1.6µ]		QC APPRV	1/14/2008							
1		ECRN-15704 CORRECT OVERALL DIM.		TWE		8/19/2014		ENG APPRV	1/14/2008	SIZE	DWG NO.	REV.
REV.	DESCRIPTION			APPRV	DATE	A	112272S3	1	SCALE	CADFILE	SHEET	
REVISIONS				3rd ANGLE PROJECTION		-CAD GENERATED DRAWING- DO NOT MANUALLY UPDATE DO NOT SCALE		NONE	02744	1 OF 1		