

THE INFORMATION CONTAINED IN THIS DRAWING IS THE SOLE PROPERTY OF ANDERSON POWER PRODUCTS. ANY REPRODUCTION IN PART OR WHOLE WITHOUT THE WRITTEN PERMISSION OF ANDERSON POWER PRODUCTS IS PROHIBITED.

Copyright 1999

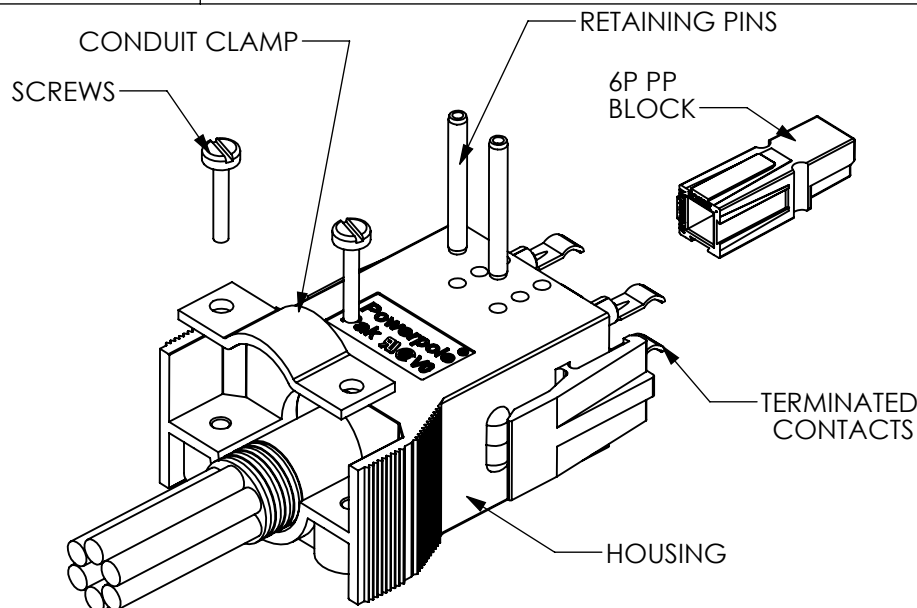
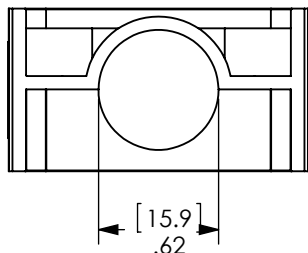
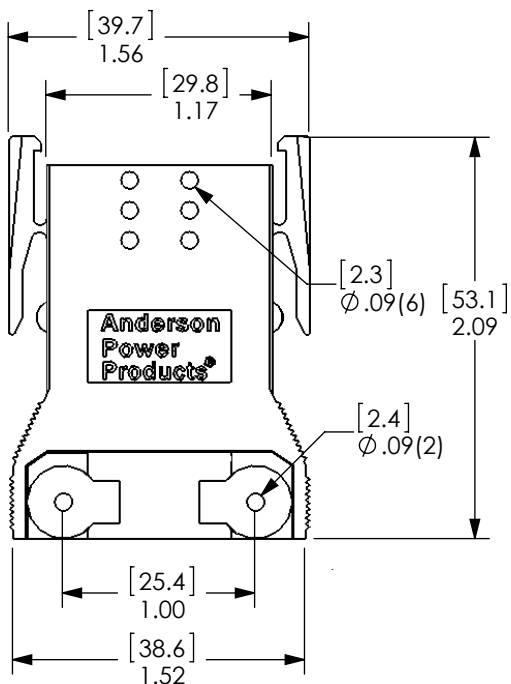
ANDERSON POWER PRODUCTS RESERVES THE RIGHT TO ALTER PRODUCT TYPES, THEIR TECHNICAL DATA, DIMENSION, STYLE AND ACCESSORIES WITHOUT PRIOR NOTIFICATION.

D

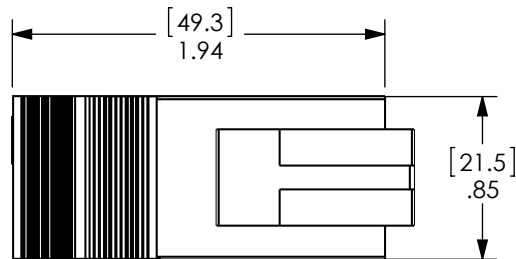
C

B

A



TYPICAL ASSEMBLY-REFER TO CATALOG FOR AVAILABLE CONFIGURATIONS



3	ECRN-15865	TWE	9/1/2015
2	ECRN-13769	DJD	12/16/04
1	ECRN-13433	CMS	10/23/01
REV.	DESCRIPTION	APPRV	DATE

REVISIONS

DIMENSIONS ARE IN:	INCH [MM]	APPROVALS		 ANDERSON POWER PRODUCTS
UNLESS OTHERWISE STATED		DRAWN	7/27/1999	
TOLERANCES:		CHECKED	10/9/2001	
DECIMALS (INCH)	DECIMALS (MM)	ANGLES		
.XX ± .02	.X ± .5	±2°		TITLE
SURFACE FINISH:		MFG APPR	10/21/2001	CATALOG NUMBER 1460G2 2X3 POWERPOLE PAK HOUSING PLUG WITH LATCH
MACHINED	128µin [3.2µ]	CHB		
MOLDED	64µin [1.6µ]	RPO	9/16/1999	
MATERIAL:		ENG APPR	10/22/2001	SIZE
POLYCARBONATE		UFN		A
FINISH:		-CAD GENERATED DRAWING- DO NOT MANUALLY UPDATE DO NOT SCALE		DWG NO.
NONE				114165S2
 3rd ANGLE PROJECTION				REV.
				3
		SCALE	CADFILE	SHEET
		NONE	01089	1 OF 1