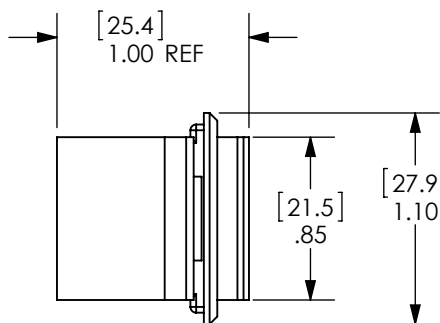
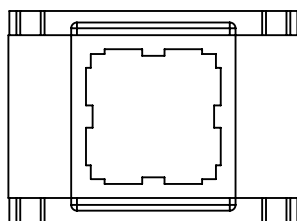
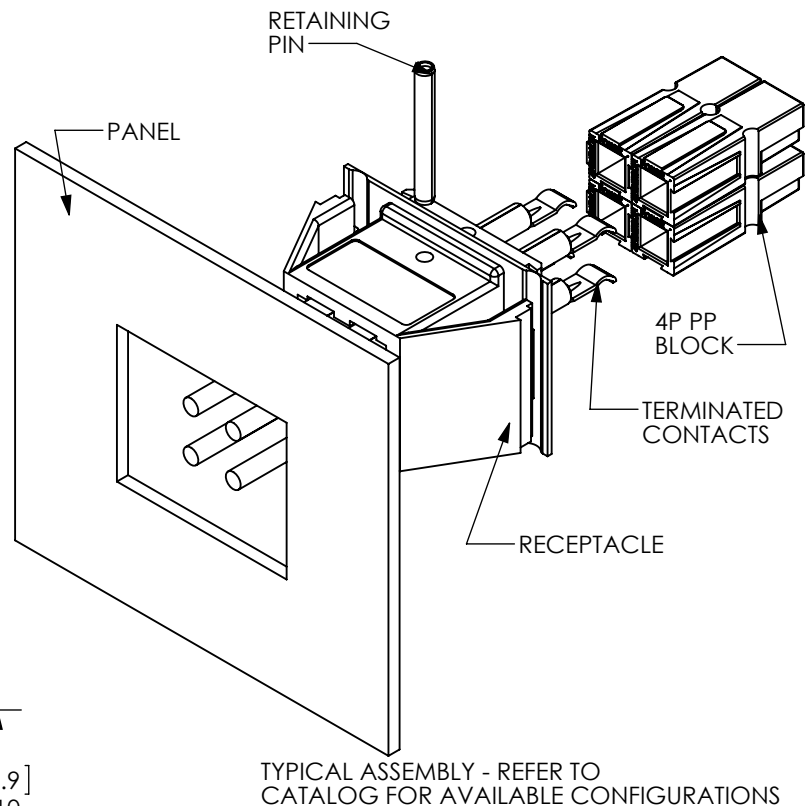
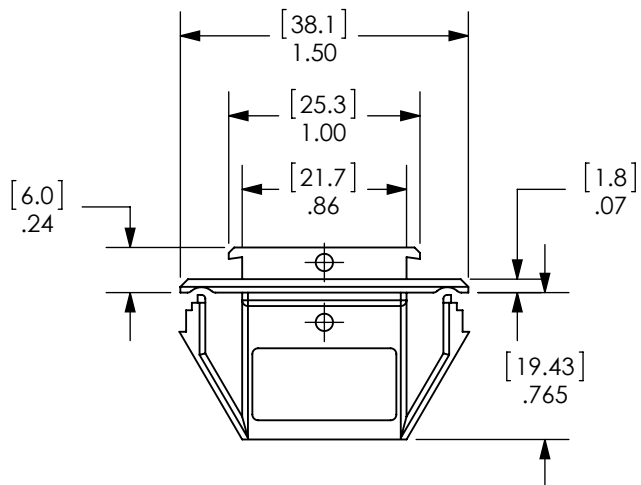


THE INFORMATION CONTAINED IN THIS DRAWING IS THE SOLE PROPERTY OF ANDERSON POWER PRODUCTS. ANY REPRODUCTION IN PART OR WHOLE WITHOUT THE WRITTEN PERMISSION OF ANDERSON POWER PRODUCTS IS PROHIBITED.

Copyright 2013

ANDERSON POWER PRODUCTS RESERVES THE RIGHT TO ALTER PRODUCT TYPES, THEIR TECHNICAL DATA, DIMENSION, STYLE AND ACCESSORIES WITHOUT PRIOR NOTIFICATION.



NOTES:

- DESIGNED FOR PANELS .030-.134" (.76 - 3.4mm) THICK
- KNOCKOUT SIZE 1.00 X 1.25 (25.4 X 31.7)

DIMENSIONS ARE IN:		INCH [MM]		<i>APPROVALS</i>		ANDERSON POWER PRODUCTS	
UNLESS OTHERWISE STATED				DRAWN	CMS	8/6/1999	TITLE CATALOG NUMBER 1470G1 2X2 POWERPOLE PAK SNAP-IN RECEPTACLE
TOLERANCES:				CHECKED	DJD	8/9/1999	
DECIMALS (INCH)	DECIMALS (MM)	ANGLES		MFG APPRV	CHB	8/23/1999	
.XX ± .02	.X ± .5	±2°		QC APPRV	RO	8/23/1999	
SURFACE FINISH:				ENG APPRV	UFN	8/24/1999	
MACHINED 128µin [3.2µ]				MATERIAL:		SIZE	DWG NO.
MOLDED 64µin [1.6µ]				POLYCARBONATE		A	114167S1
FINISH:				-CAD GENERATED DRAWING- DO NOT MANUALLY UPDATE DO NOT SCALE		SCALE	CADFILE
						NONE	01094
						SHEET	1 OF 1

1	ECRN-15494 ELIMINATE DIM. BETWEEN OUTSIDE CLIP POINTS	TWE	10/28/2013
REV.	DESCRIPTION	APPRV	DATE
REVISIONS			