

8 7 6 5 4 3 2 1

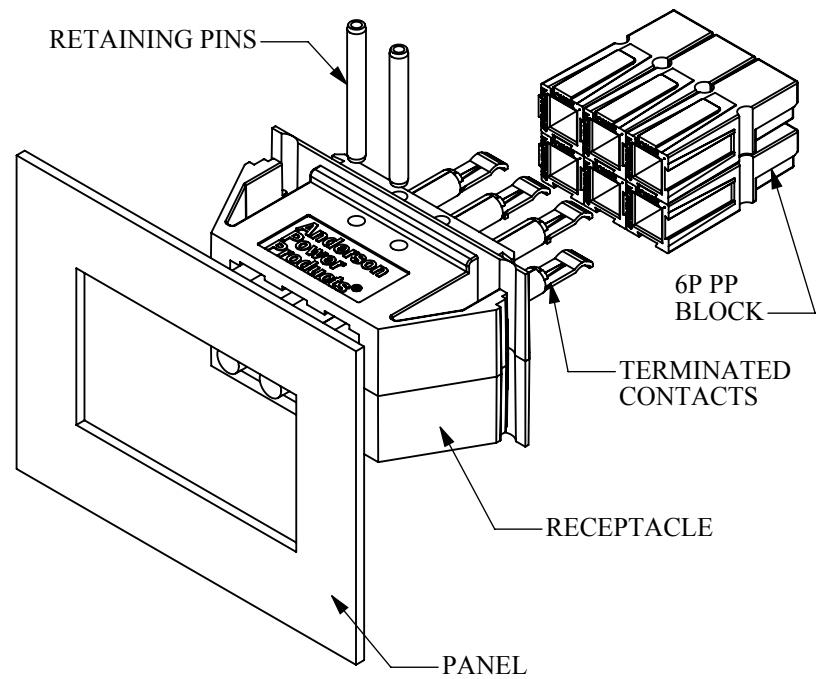
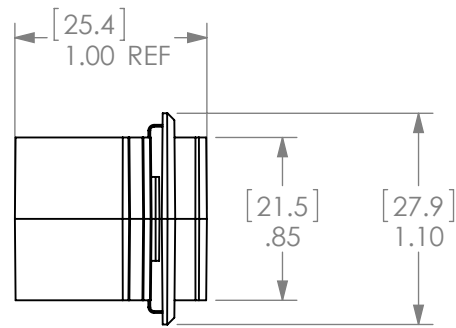
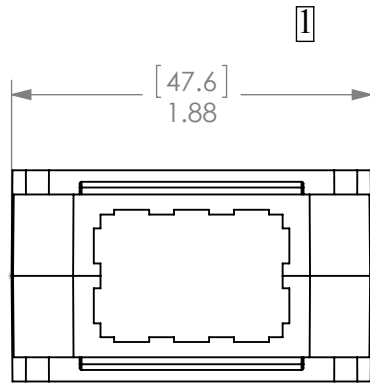
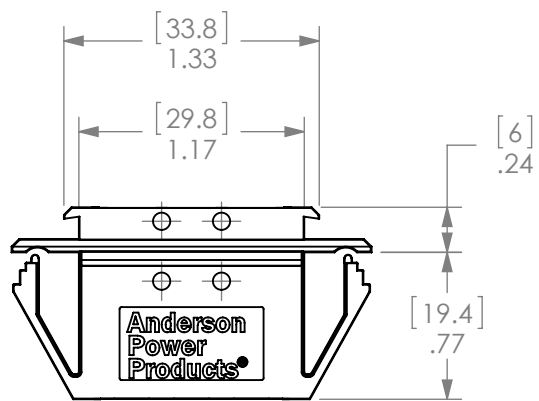
THE INFORMATION CONTAINED IN THIS DRAWING IS THE SOLE PROPERTY OF ANDERSON POWER PRODUCTS. ANY REPRODUCTION IN PART OR WHOLE WITHOUT THE WRITTEN PERMISSION OF ANDERSON POWER PRODUCTS IS PROHIBITED.

Copyright 1999

ANDERSON POWER PRODUCTS RESERVES THE RIGHT TO ALTER PRODUCT TYPES, THEIR TECHNICAL DATA, DIMENSION, STYLE AND ACCESSORIES WITHOUT PRIOR NOTIFICATION.

D
C
B
A

D
C
B
A



TYPICAL ASSEMBLY- REFER TO CATALOG FOR AVAILABLE CONFIGURATIONS

NOTES:

1. DESIGNED FOR PANELS .030-.134" (.76-3.4mm) THICK
2. KNOCKOUT SIZE 1.00 X 1.62 (25.4 X 41.1)

DIMENSIONS ARE IN:		INCH [MM]		<i>APPROVALS</i>		ANDERSON POWER PRODUCTS	
UNLESS OTHERWISE STATED				DRAWN	CMS	8/6/1999	TITLE CATALOG NUMBER 1470G2 2X3 POWERPOLE PAK SNAP-IN RECEPTACLE
TOLERANCES:				CHECKED	DJD	8/9/1999	
DECIMALS (INCH)		DECIMALS (MM)		MFG APPRV			
.XX ± .02		.X ± .5		CHB		8/23/1999	
		ANGLES ±2°		QC APPRV			
SURFACE FINISH:				RO		8/24/1999	
MACHINED		128µin [3.2µ]		ENG APPRV			SIZE
MOLDED		64µin [1.6µ]		UFN		8/24/1999	DWG NO.
MATERIAL: POLYCARBONATE							REV.
FINISH: NONE							1
				-CAD GENERATED DRAWING- DO NOT MANUALLY UPDATE DO NOT SCALE		SCALE	CADFILE
						NONE	01095
						SHEET	1 OF 1

1	ECRN-15527	TWE	12/5/2013
REV.	DESCRIPTION	APPRV	DATE
REVISIONS			

8 7 6 5 4 3 2 1