

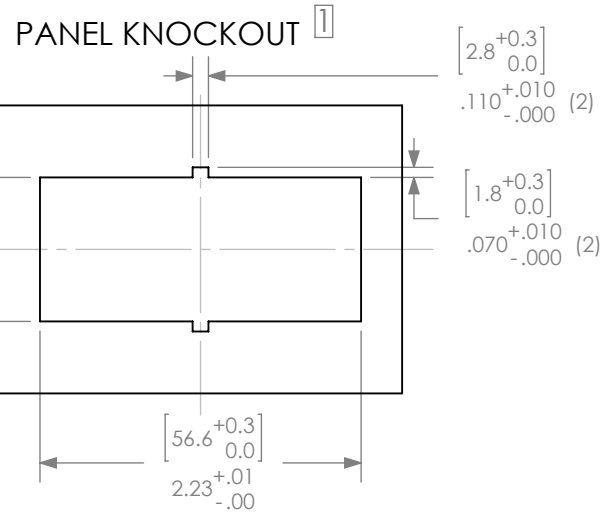
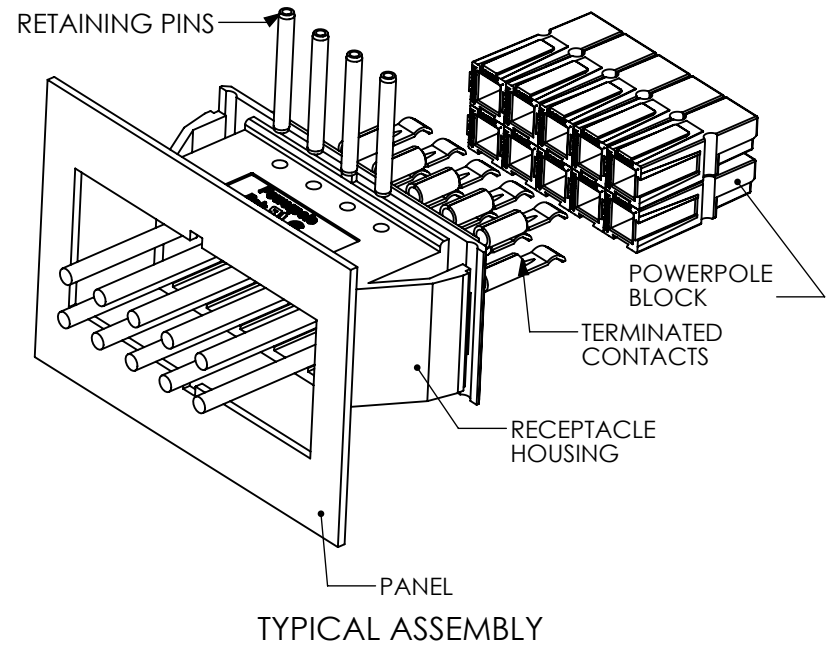
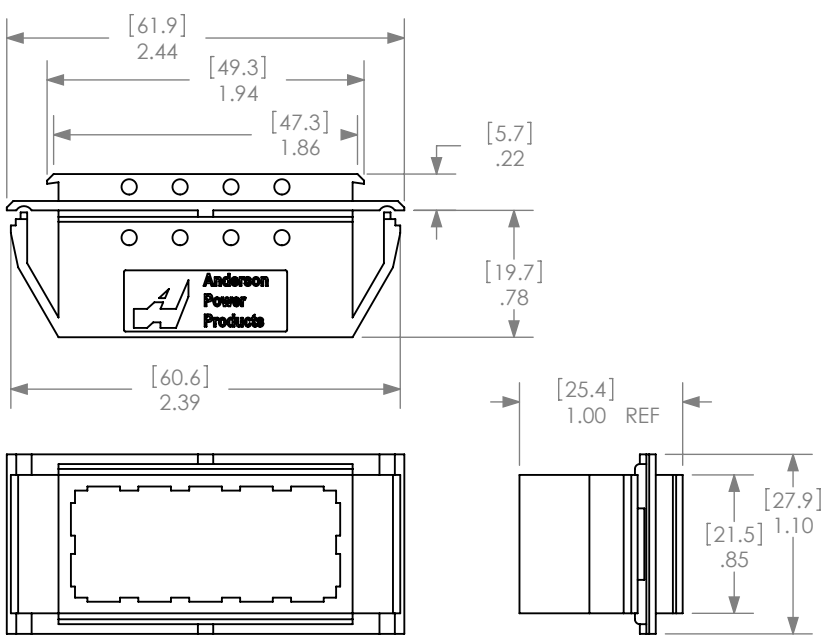
8 7 6 5 4 3 2 1

THE INFORMATION CONTAINED IN THIS DRAWING IS THE SOLE PROPERTY OF ANDERSON POWER PRODUCTS. ANY REPRODUCTION IN PART OR WHOLE WITHOUT THE WRITTEN PERMISSION OF ANDERSON POWER PRODUCTS IS PROHIBITED.

Copyright 2005

ANDERSON POWER PRODUCTS RESERVES THE RIGHT TO ALTER PRODUCT TYPES, THEIR TECHNICAL DATA, DIMENSION, STYLE AND ACCESSORIES WITHOUT PRIOR NOTIFICATION.

D
C
B
A



- NOTES:
- CATALOG NUMBER 1470G4 CONSISTS OF RECEPTACLE HOUSING ONLY. ASSEMBLY COMPONENTS (POWERPOLES, RETAINING PINS, ETC) ARE ORDERED SEPARATELY.
 - DESIGNED FOR PANELS: .030-.090[.76-2.29mm] THICK
 - KNOCKOUT SIZE: SEE LAYOUT ¹

2	ECRN-15527	TWE	12/5/2013
1	ECRN-13944 ADD K.O. UPDATE NOTES	CMS	1/11/06
REV.	DESCRIPTION	APPRV	DATE
REVISIONS			

DIMENSIONS ARE IN:	INCH [MM]	APPROVALS		ANDERSON POWER PRODUCTS TITLE CATALOG NUMBER 1470G4 2X5 POWERPOLE PAK RECEPTACLE HOUSING
UNLESS OTHERWISE STATED		DRAWN	11/3/2005	
TOLERANCES:		CHECKED	11/4/2005	
DECIMALS (INCH) DECIMALS (MM) ANGLES .XX ± .015 .X ± .38 ± .5° .XXX ± .005 .XX ± .13		MFG APPRV	11/7/2005	
SURFACE FINISH:		QC APPRV	11/4/2005	SIZE A DWG NO. 114167S4 REV. 2 SCALE 0.85:1 CADFILE 02430 SHEET 1 OF 1
MACHINED 128µin [3.2µ] MOLDED 64µin [1.6µ]		ENG APPRV	11/7/2005	
MATERIAL: POLYCARBONATE		-CAD GENERATED DRAWING- DO NOT MANUALLY UPDATE DO NOT SCALE		
FINISH: NONE		3rd ANGLE PROJECTION		

8 7 6 5 4 3 2 1