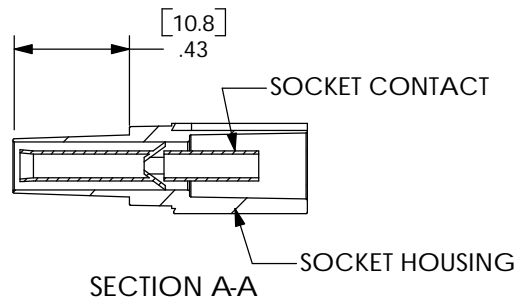
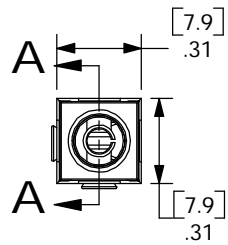
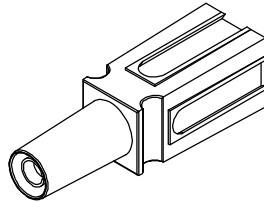
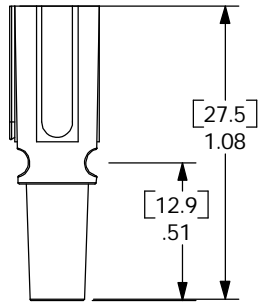
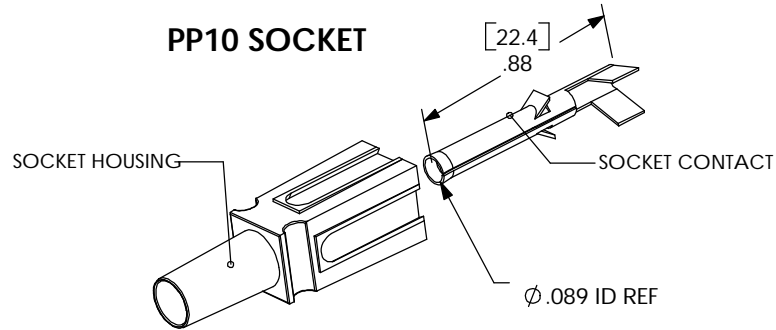


THE INFORMATION CONTAINED IN THIS DRAWING IS THE SOLE PROPERTY OF ANDERSON POWER PRODUCTS. ANY REPRODUCTION IN PART OR WHOLE WITHOUT THE WRITTEN PERMISSION OF ANDERSON POWER PRODUCTS IS PROHIBITED.

ANDERSON POWER PRODUCTS RESERVES THE RIGHT TO ALTER PRODUCT TYPES, THEIR TECHNICAL DATA, DIMENSION, STYLE AND ACCESSORIES WITHOUT PRIOR NOTIFICATION.

### PP10 SOCKET



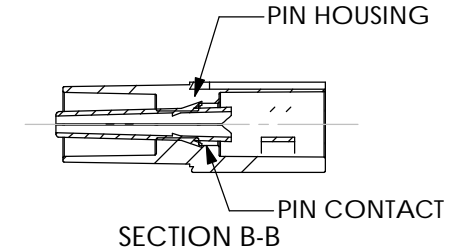
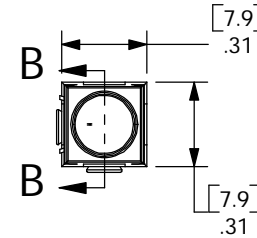
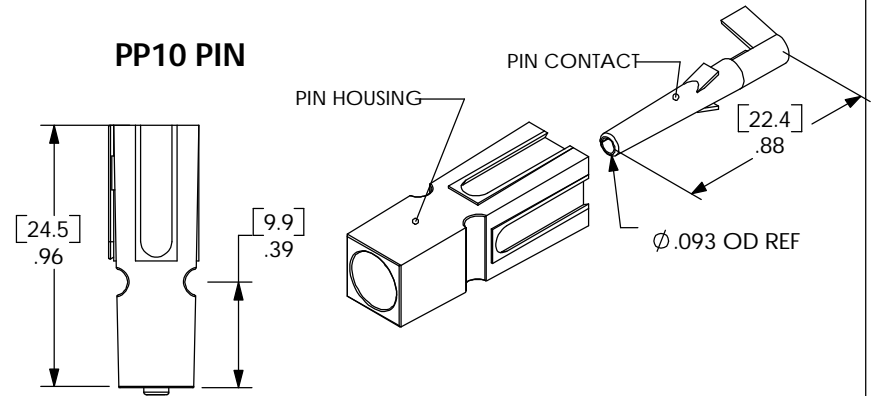
NOTES:  
1. HOUSING AND CONTACT ASSEMBLIES ARE UL RECOGNIZED PER E2226 AND CSA CERTIFIED PER LR251 54.

2. MATERIAL:  
CONTACTS- BRASS- TIN PLATED  
HOUSINGS- POLYCARBONATE, UL94V0

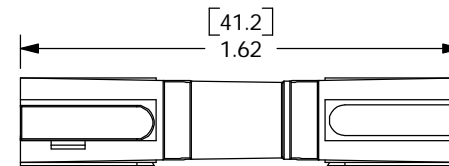
3. CONTACTS ACCOMMODATE 14/16 AWG WIRE

1	ECRN 13433	10/23/01	CMS
REV	DESCRIPTION	DATE	APP.

### PP10 PIN



### MATED CONNECTORS



ITEM NO.	PART OR IDENTIFYING NO.	NOMENCLATURE OR DESCRIPTION	MATERIAL SPECIFICATION	QTY RECD
PARTS LIST				
UNLESS OTHERWISE SPECIFIED:		CAD GENERATED DRAWING, DO NOT MANUALLY UPDATE		<b>ANDERSON POWER PRODUCTS</b>
DIMENSIONS ARE IN INCHES WITH MM'S IN [ ], TOLERANCES ARE: 1 PL ±.4 2 PL ±.02		APPROVALS	DATE	<b>POWERPOLE 10 PIN AND SOCKET</b>
MATERIAL SEE NOTES		DRAWN CMS	1/25/99	
FINISH --		CHECKED DJD	1/26/99	
		RESP ENG UFN	10/22/01	
		MFG ENG CHB	10/21/01	SIZE A
		OC RPO	10/10/01	DWG. NO. 114199S1
				SCALE NONE
				CAD FILE: 01128
				REV 1
				SHEET 1 OF 1