

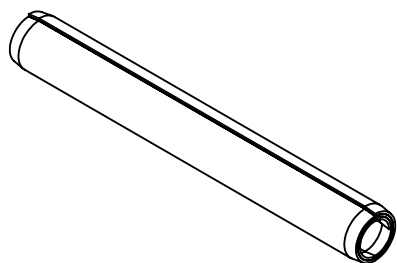
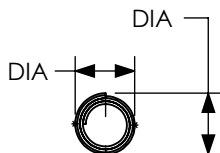
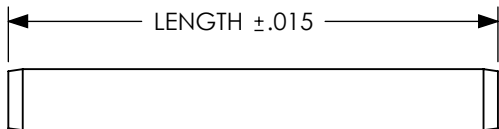
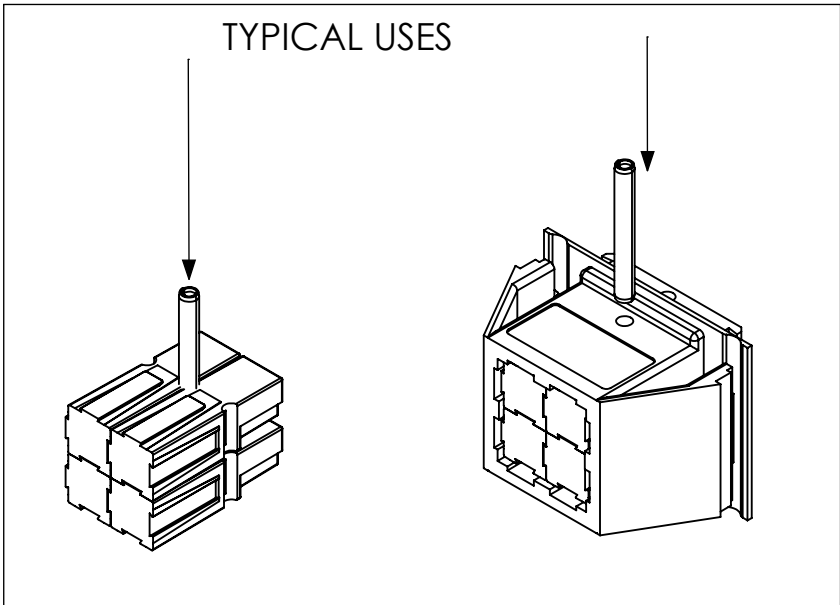
8 7 6 5 4 3 2 1

THE INFORMATION CONTAINED IN THIS DRAWING IS THE SOLE PROPERTY OF ANDERSON POWER PRODUCTS. ANY REPRODUCTION IN PART OR WHOLE WITHOUT THE WRITTEN PERMISSION OF ANDERSON POWER PRODUCTS IS PROHIBITED.

**Copyright 2017**

ANDERSON POWER PRODUCTS RESERVES THE RIGHT TO ALTER PRODUCT TYPES, THEIR TECHNICAL DATA, DIMENSION, STYLE AND ACCESSORIES WITHOUT PRIOR NOTIFICATION.

**TYPICAL USES**



CAT. NO.	CONNECTOR	DESCRIPTION	DIAMETER <sup>15</sup>		LENGTH		MAT.
			IN	MM	IN ±.015	MM ±.38	
110G9	PP PAK PLUG/REC	2-HIGH BLOCK	.093/.099	2.36/2.51	0.85	21.59	NICKEL SS
110G16	PP15/45	1-HIGH BLOCK	.093/.103	2.36/2.62	0.25	6.35	HIGH CARBON STEEL
110G17	PP15/45	2-HIGH BLOCK	.093/.103	2.36/2.62	0.44	11.18	NICKEL SS
110G18	PP75	2-HIGH BLOCK	.196/.207	4.98/5.26	1.00	25.40	NICKEL SS
110G18	PP180	1-HIGH BLOCK	.196/.207	4.98/5.26	1.00	25.40	NICKEL SS
110G19	PP75, PP120	1-HIGH BLOCK	.196/.207	4.98/5.26	0.56	14.22	NICKEL SS <sup>14</sup>
110G20	PP120, PP180	2-HIGH BLOCK	.196/.207	4.98/5.26	1.50	38.10	NICKEL SS
110G59	SBE/X AUX KIT	1-HIGH BLOCK	.093/.103	2.36/2.62	1.00	25.40	NICKEL SS <sup>15</sup>

D

D

C

C

B

B

A

A

REV.	DESCRIPTION	APPRV	DATE	DIMENSIONS ARE IN:		APPROVALS		ANDERSON POWER PRODUCTS			
17	ECN 2017-0071 - CORRECTED MODEL IN VIEW	CPD	7/14/2017	INCH	[MM]	DRAWN		 <b>TITLE</b> SPIROL® RETAINING PINS FOR POWERPOLES			
16	ECN 2016-0068 CORRECTED DIMENSION ON TABLE	CPD	8/9/2016	UNLESS OTHERWISE STATED		LVR	8/31/1988				
15	ECRN-15383 CORRECTED PP15/45 SPIROL PIN DIM'S	NTS	4/24/2013	TOLERANCES:		CHECKED	HHR				8/31/1988
14	ECRN 15109: CHANGED MATERIAL OF 110G19, SOME INCORRECT DIMENSIONS, AND SPELLING ERRORS	JHN	4/24/2012	DECIMALS (INCH)	DECIMALS (MM)	ANGLES	MFG APPRV				CHB
13	ECRN-15028: UPDATED DRAWING TABLE, TITLE BLOCK, AND VIEWS	JHN	12/13/2011	.XX ± .015	.X ± .38	±.5°	QC APPRV	RPO	10/23/2001		
12	ECRN-14925 TABLE REVISION	TWE	6/20/2011	.XXX ± .005	.XX ± .13		ENG APPRV	HHR	8/31/1988		
REVISIONS				SURFACE FINISH:		MATERIAL:		SIZE	DWG NO.	REV.	
				MACHINED 128µin [3.2µ]		SEE TABLE		A	111812S1	17	
				MOLDED 64µin [1.6µ]		FINISH:		SCALE	CADFILE	SHEET	
				-		-		4:1	01132	1 OF 1	
				3rd ANGLE PROJECTION		-CAD GENERATED DRAWING- DO NOT MANUALLY UPDATE DO NOT SCALE					

8 7 6 5 4 3 2 1