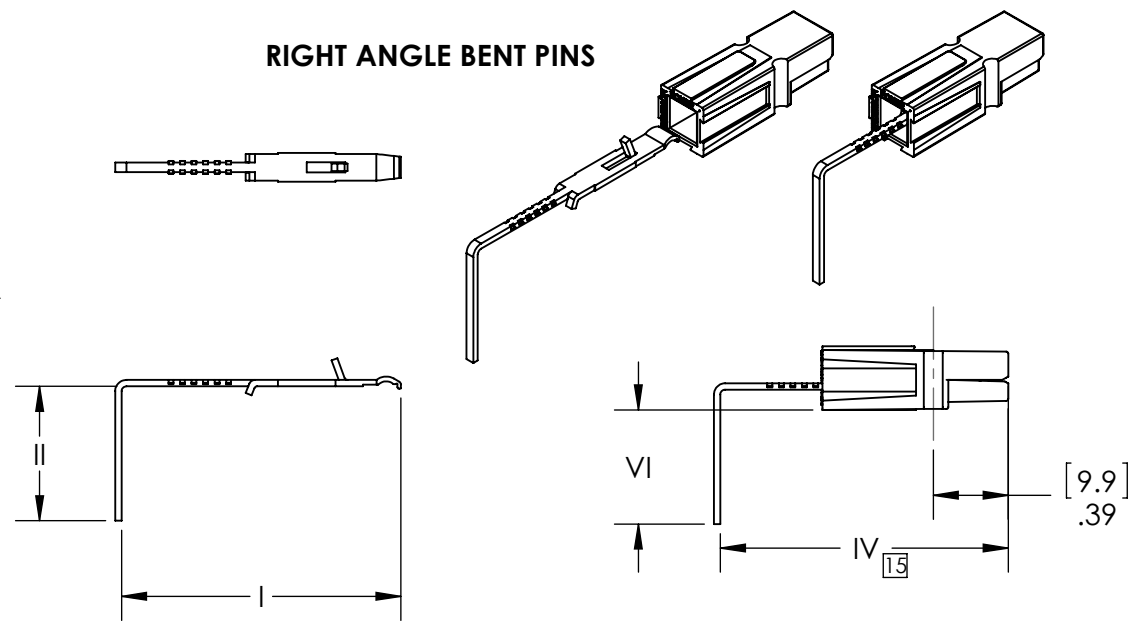


THE INFORMATION CONTAINED IN THIS DRAWING IS THE SOLE PROPERTY OF ANDERSON POWER PRODUCTS. ANY REPRODUCTION IN PART OR WHOLE WITHOUT THE WRITTEN PERMISSION OF ANDERSON POWER PRODUCTS IS PROHIBITED.

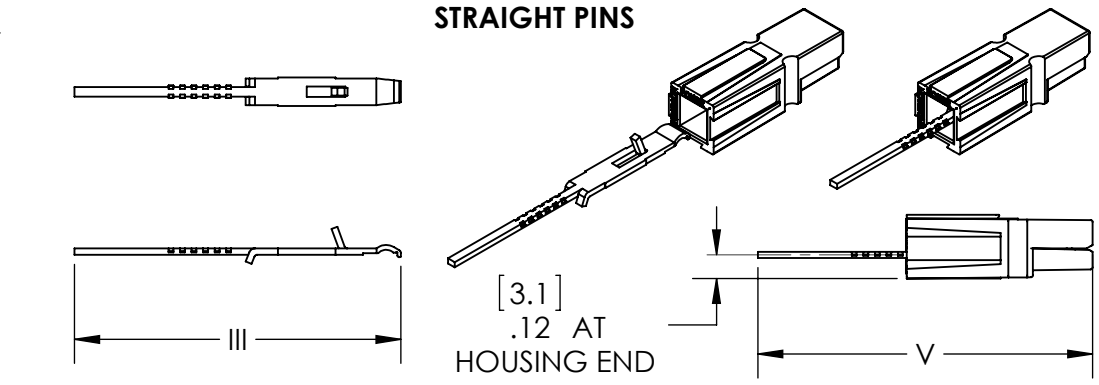
Copyright 2012

ANDERSON POWER PRODUCTS RESERVES THE RIGHT TO ALTER PRODUCT TYPES, THEIR TECHNICAL DATA, DIMENSION, STYLE AND ACCESSORIES WITHOUT PRIOR NOTIFICATION.

RIGHT ANGLE BENT PINS



STRAIGHT PINS



RIGHT ANGLE PINS

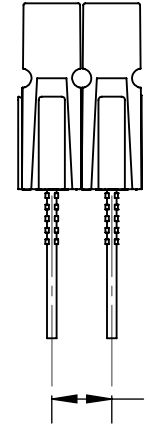
P/N (NOTE 1)	I		II		IV		VI	
	IN	[mm]	IN	[mm]	IN	[mm]	IN	[mm]
G1	1.46	[37.1]	0.70	[17.8]	1.52	[38.6]	0.59	[15.1]
G2	1.30	[33.0]	0.40	[10.2]	1.36	[34.5]	0.29	[7.5]
G11	1.14	[29.0]	0.70	[17.8]	1.21	[30.7]	0.59	[15.1]
G12	0.95	[24.1]	0.40	[10.2]	1.01	[25.7]	0.29	[7.5]
G14	1.30	[33.0]	0.18	[4.6]	1.36	[34.5]	0.08	[2.0]
G15	1.14	[29.0]	1.02	[25.9]	1.21	[30.7]	0.91	[23.2]
G16	0.95	[24.1]	0.72	[18.3]	1.00	[25.4]	0.61	[15.6]
G17	1.14	[29.0]	0.88	[22.4]	1.21	[30.7]	0.77	[19.7]
G18	1.00	[25.4]	0.58	[14.7]	1.07	[27.2]	0.47	[12.0]
G19	1.14	[29.0]	0.63	[16.0]	1.21	[30.7]	0.52	[15.3]
G20	0.95	[24.1]	0.32	[8.1]	1.01	[25.7]	0.21	[5.3]

STRAIGHT PINS

P/N (NOTE 1)	III		V					
	IN	[mm]	IN	[mm]				
G3	2.16	54.9	2.22	56.4				
G4	1.70	43.2	1.76	44.7				
G13	1.11	28.2	1.17	29.7				

NOTES:

- P/N PREFIXES
1377GX DENOTES LOW DETENT
1317GX DENOTES HIGH DETENT
 - HOLE SIZE FOR PCB IS .070[1.8].
 - PCB HOLE SPACING FOR STRAIGHT AND RIGHT ANGLE
 - CONNECTOR HOUSINGS SOLD SEPARATELY
- [7.9] .31 SEE NOTE 3



REV.	DESCRIPTION	APPRV	DATE
15	ECN 2016-0018	CMS	4/7/2016
14	ECRN 15208	NTS	7/20/2012
13	ECRN-15096	NTS	3/30/2012
12	ECRN 13791	CMS	2/4/05
11	ECRN 13661	CMS	2/25/04
10	ECRN 13644	CMS	12/1/03
9	ECRN 13433	CMS	10/23/01
8	ECRN 13400	CMS	6/4/01
7	ECRN 13382	CMS	3/26/01
6	ECRN 13312	CMS	4/13/00
REVISIONS			

DIMENSIONS ARE IN:	INCH [MM]	APPROVALS		<p>ANDERSON POWER PRODUCTS</p> <p>TITLE</p> <p>CATALOG NUMBERS 1377 & 1317 25 AMP PCB CONTACTS STRAIGHT AND RIGHT ANGLE</p>			
UNLESS OTHERWISE STATED		DRAWN	RLE		3/9/1993		
TOLERANCES:		CHECKED	DJD		10/9/2001		
DECIMALS (INCH) DECIMALS (MM) ANGLES		MFG APPRV	UFN		3/9/1993		
SURFACE FINISH:		QC APPRV	CHB	3/9/1993			
MACHINED 128µin [3.2µ]		ENG APPRV	HN	3/9/1993	SIZE	DWG NO.	REV.
MOLDED 64µin [1.6µ]					A	113881S1	15
MATERIAL: COPPER		-CAD GENERATED DRAWING- DO NOT MANUALLY UPDATE DO NOT SCALE		SCALE	CADFILE	SHEET	
FINISH: TIN PLATE		NONE		01064		1 OF 1	