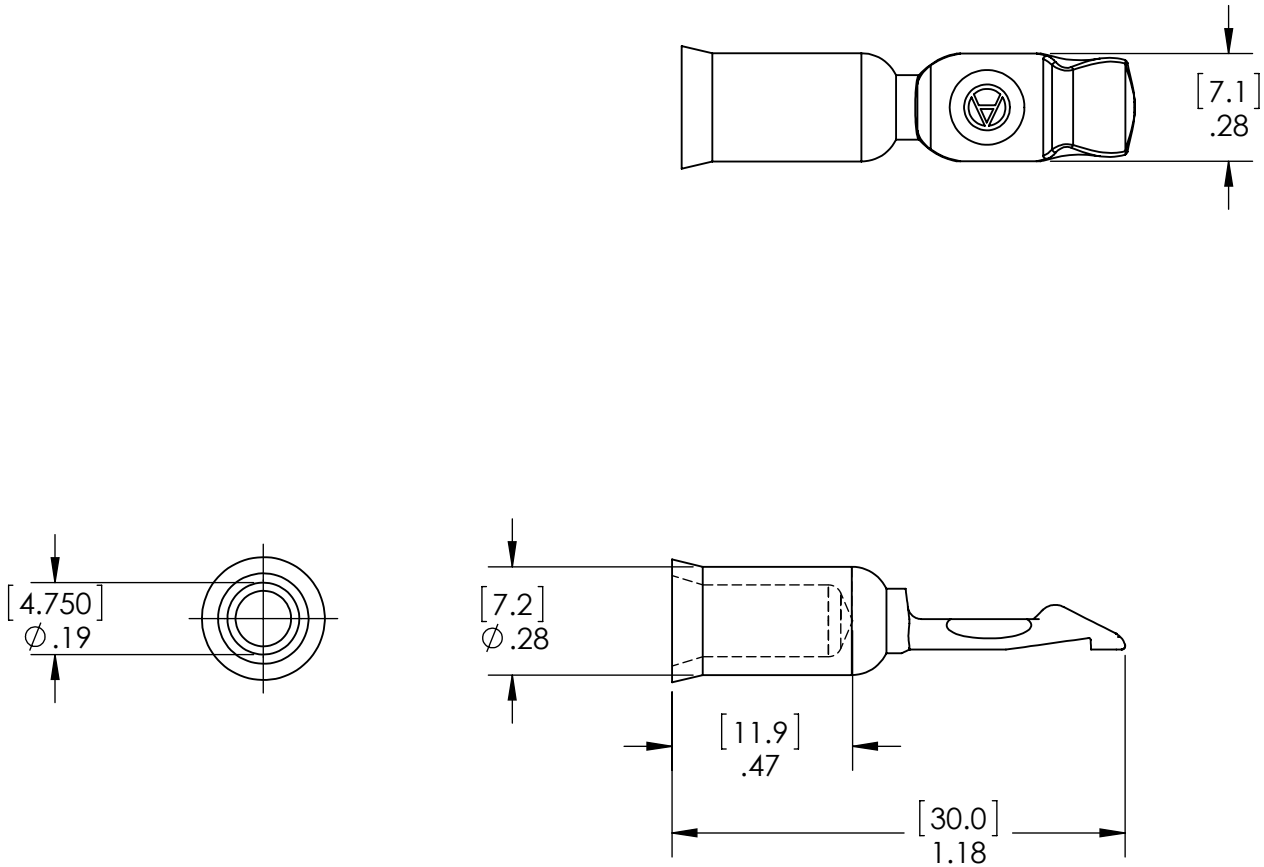


CAT. P/N: 5952



5	ECRN-15243	TWE	9/25/2012
4	ECRN-14452	CHB	6/17/09
3	ECRN-13652	CHB	12/03
2	ECRN-13635	CHB	11/11/03
REV.	DESCRIPTION	APPRV	DATE

REVISIONS

DIMENSIONS ARE IN:		INCH [MM]		APPROVALS		DATE		 <b>ANDERSON POWER PRODUCTS</b>	
UNLESS OTHERWISE STATED:				DRAWN	DMM		9/11/2003		
TOLERANCES:				CHECKED		DJD		11/1/2003	
DECIMALS (INCH)		DECIMALS (MM)		MFG APPRV		DSM		11/1/2003	
.XX ± .02		.X ± .5		QC APPRV		RPO		11/1/2003	
ANGLES		±2°		ENG APPRV		UFN		11/1/2003	
SURFACE FINISH:				MACHINED		128µin [3.2µ]		✓	
				MOLDED		64µin [1.6µ]		✓	
MATERIAL:				COPPER ALLOY					
FINISH:				SILVER PLATE					
3RD ANGLE PROJECTION				-CAD GENERATED DRAWING- DO NOT MANUALLY UPDATE DO NOT SCALE				SCALE	
				NONE				CAD FILE:	
				03813				SHEET	
				1 OF 1				REV.	
				A				DWG. NO.	
				114155S1				5	

TITLE  
 OUTLINE  
 PP75/SB50 CONTACT  
 FOR 10MM<sup>2</sup> AND #8 WIRE  
 HIGH DETENT