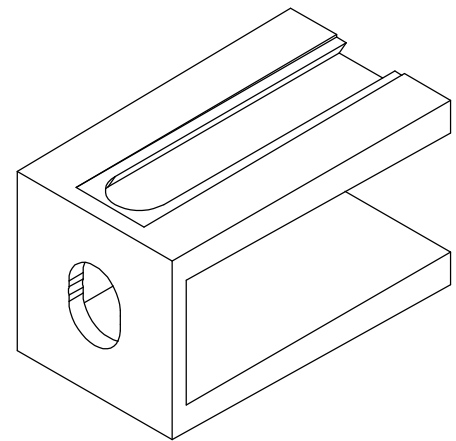
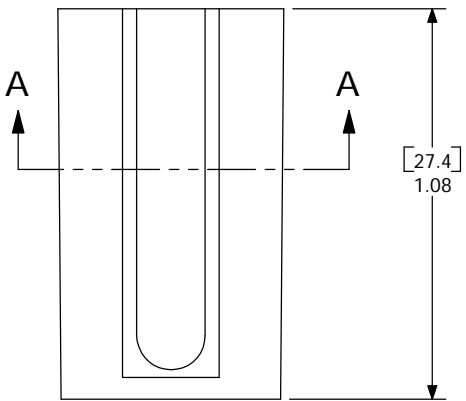


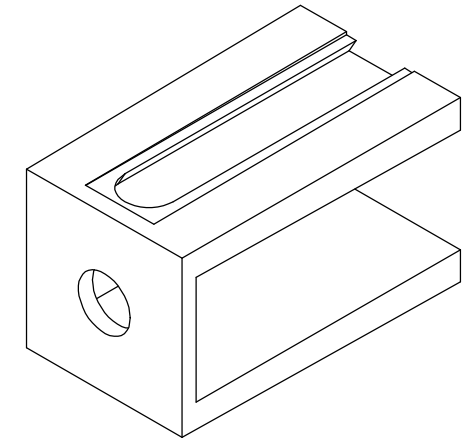
8 7 6 5 4 3 2 1

THE INFORMATION CONTAINED IN THIS DRAWING IS THE SOLE PROPERTY OF ANDERSON POWER PRODUCTS. ANY REPRODUCTION IN PART OR WHOLE WITHOUT THE WRITTEN PERMISSION OF ANDERSON POWER PRODUCTS IS PROHIBITED.

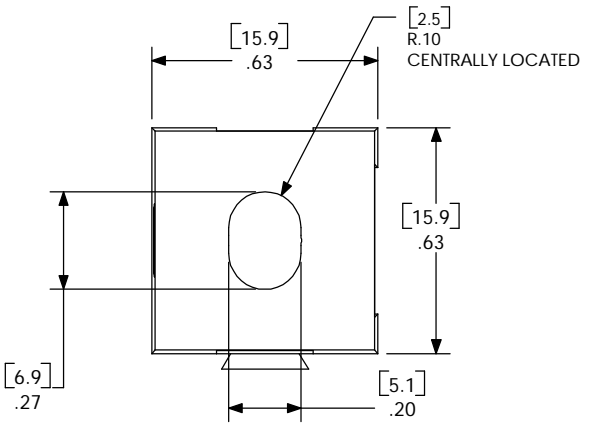
D	DATE
	BY:
	DESCRIPTION OF CHANGES
C	REV.



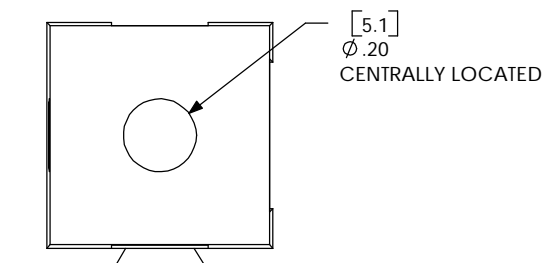
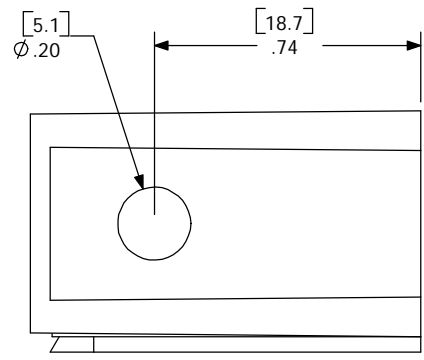
1399G7



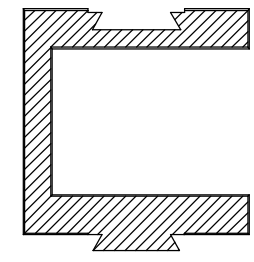
1399G20



TOP VIEW 1399G7



TOP VIEW 1399G20



SECTION A-A

ITEM NO.	PART OR IDENTIFYING NO.	NOMENCLATURE OR DESCRIPTION	MATERIAL SPECIFICATION	QTY RECD
COPYRIGHT 1999 ANDERSON POWER PRODUCTS. ALL RIGHTS RESERVED. UNAUTHORIZED REPRODUCTION HEREBY PROHIBITED.				
DIMENSIONS ARE IN INCHES DIMENSIONS IN PARENTHESES [] ARE IN MILLIMETERS		CAD GENERATED DRAWING. DO NOT MANUALLY UPDATE	ANDERSON POWER PRODUCTS	
TOLERANCES ARE: 2PL- ±.02 [±.5]		APPROVALS	DATE	
MATERIALS: <i>PC-VO-BLUE</i>		DRAWN	CMS	9/21/99
FINISH		CHECKED	DJD	9/21/99
NEXT ASSY USED ON		RESP ENG	UFN	9/21/99
APPLICATION		MFG ENG	CHB	9/22/99
DO NOT SCALE DRAWING		QUAL ENG	RPO	9/27/99
SPECIFICATION:			SIZE A	REV. 0
SCALE 2:1			CADFILES/01114	SHEET 1 OF 1

8 7 6 5 4 3 2 1