

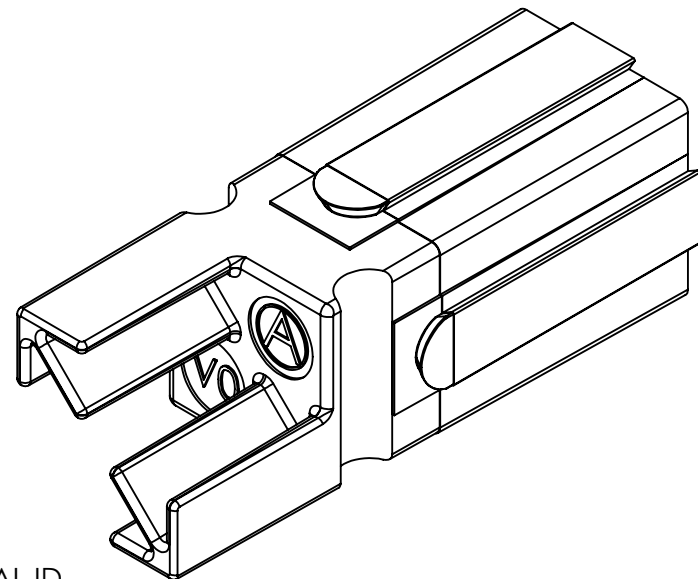
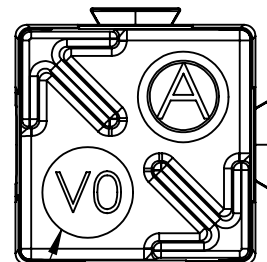
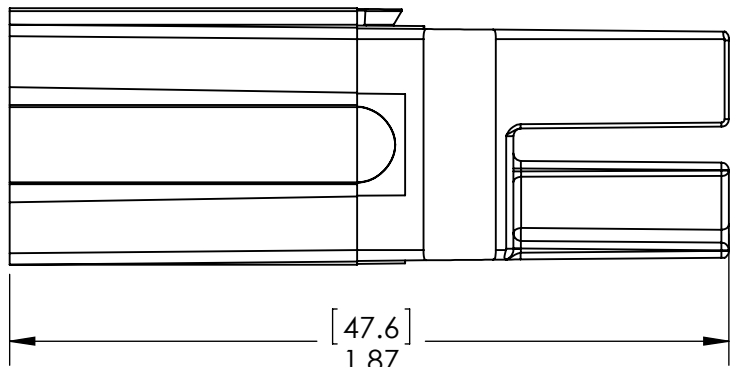
THE INFORMATION CONTAINED IN THIS DRAWING IS THE SOLE PROPERTY OF ANDERSON POWER PRODUCTS. ANY REPRODUCTION IN PART OR WHOLE WITHOUT THE WRITTEN PERMISSION OF ANDERSON POWER PRODUCTS IS PROHIBITED.

**Copyright 2012**

ANDERSON POWER PRODUCTS RESERVES THE RIGHT TO ALTER PRODUCT TYPES, THEIR TECHNICAL DATA, DIMENSION, STYLE AND ACCESSORIES WITHOUT PRIOR NOTIFICATION.

D

D



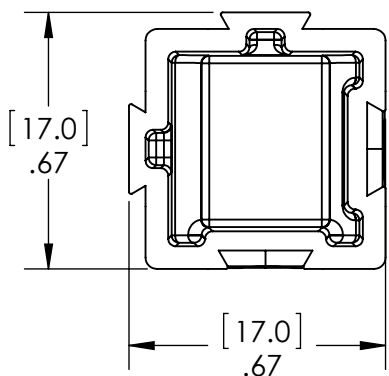
SEE TABLE FOR MATERIAL ID

C

C

B

B



POWERPOLE 75 SPACER			
COLOR	MATERIAL	MATERIAL ID	CATALOG NUMBER
RED	POLYCARBONATE	V0	1399G21-BK
RED	PBT+PC	P	1399G22-BK

- NOTES:
1. THESE SPACERS ARE INTENDED TO PROVIDE A KEYING FEATURE TO POWERPOLE ARRAYS.
  2. 1399G21 SHOWN UNLESS NOTED OTHERWISE

DIMENSIONS ARE IN:	INCH [MM]	<b>APPROVALS</b>		<b>ANDERSON POWER PRODUCTS</b> TITLE SALES OUTLINE FOR PP75 LONG SPACER	
UNLESS OTHERWISE STATED		DRAWN	10/5/2012		
TOLERANCES:		MC			
DECIMALS (INCH)	DECIMALS (MM)	CHECKED	11/7/2012		
.XX ± .02	.X ± .5	NTS			
SURFACE FINISH:		MFG APPRV			
MACHINED	128µin [3.2µ]	CHB	11/7/2012		
MOLDED	64µin [1.6µ]	QC APPRV			
MATERIAL:		UFN	11/7/2012		
FINISH:		ENG APPRV			
		BC	11/7/2012		
SIZE	A	DWG NO.	1152051	REV.	0

REV.	DESCRIPTION	APPRV	DATE
REVISIONS			



-CAD GENERATED DRAWING-  
DO NOT MANUALLY UPDATE  
DO NOT SCALE

SCALE	NONE	CADFILE	03828	SHEET	1 OF 1
-------	------	---------	-------	-------	--------