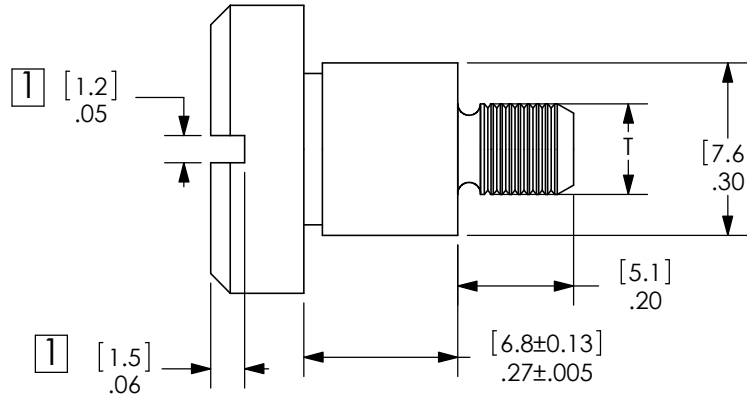
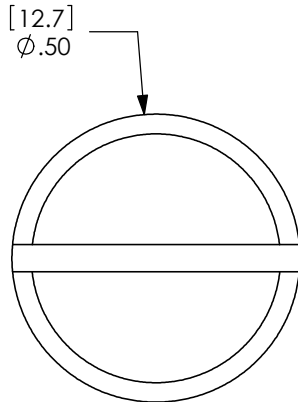
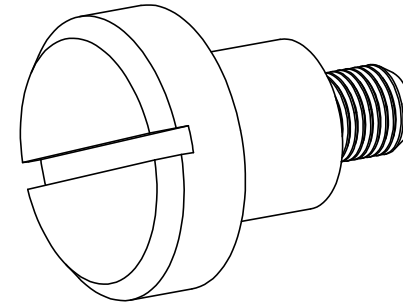
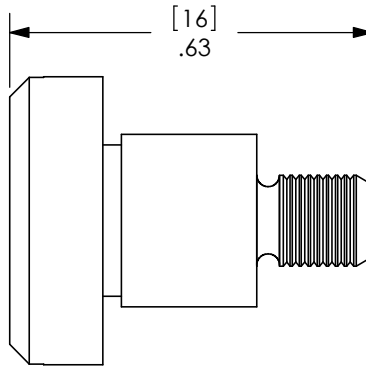


THE INFORMATION CONTAINED IN THIS DRAWING IS THE SOLE PROPERTY OF ANDERSON POWER PRODUCTS. ANY REPRODUCTION IN PART OR WHOLE WITHOUT THE WRITTEN PERMISSION OF ANDERSON POWER PRODUCTS IS PROHIBITED.

ANDERSON POWER PRODUCTS RESERVES THE RIGHT TO ALTER PRODUCT TYPES, THEIR TECHNICAL DATA, DIMENSION, STYLE AND ACCESSORIES WITHOUT PRIOR NOTIFICATION.

DATE	4/26/2016
BY:	CPD
DESCRIPTION OF CHANGES	ECN 2016-0035
REV.	1



PART NUMBER	T
FMS6-32	#6-32 UNC 2A
FMS8-32	#8-32 UNC 2A
FMSM4-07	M4 X .7

COPYRIGHT 2003 ANDERSON POWER PRODUCTS. ALL RIGHTS RESERVED. UNAUTHORIZED REPRODUCTION HEREBY PROHIBITED.

DIMENSIONS ARE IN INCHES
DIMENSIONS IN PARENTHESES
[] ARE IN MILLIMETERS

TOLERANCES ARE:
2PL- ±.02 [±.5]

MATERIALS:
STAINLESS STEEL
FINISH *****

NEXT ASSY	USED ON
APPLICATION	DO NOT SCALE DRAWING

CAD GENERATED DRAWING.
DO NOT MANUALLY UPDATE

APPROVALS	DATE
DRAWN CMS	6/12/03
CHECKED RPO	6/13/03
RESP ENG MAW	6/13/03
MFG ENG DAM	6/16/03
QUAL ENG RPO	6/13/03

ANDERSON POWER PRODUCTS

FMS SERIES SHOULDER
SCREWS FOR DRAWER
SERIES CONNECTORS

SIZE A	SPECIFICATION: 114443S1	REV. 1
SCALE NONE	CADFILES/01766	SHEET 1 OF 1