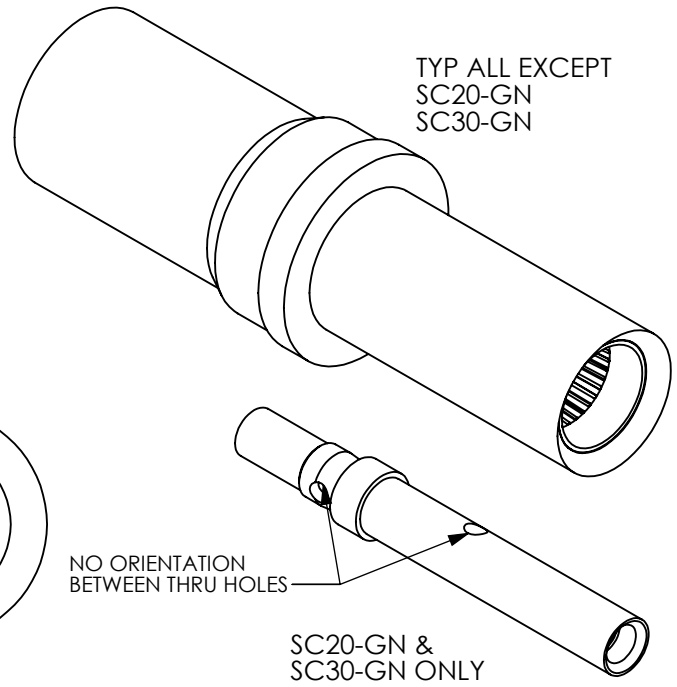
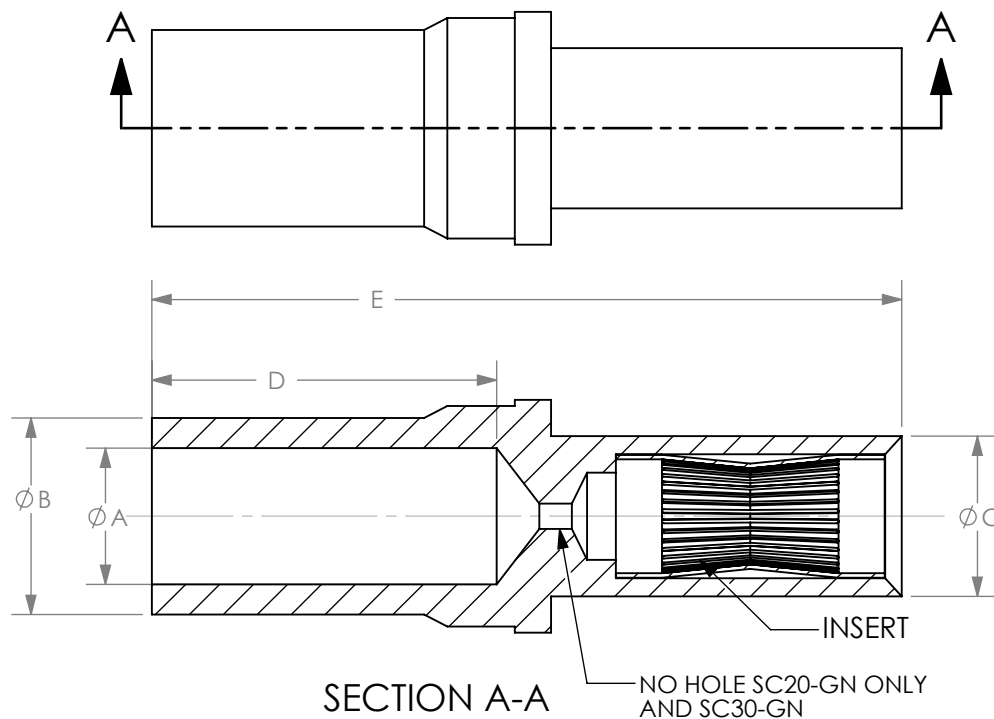


8 7 6 5 4 3 2 1

THE INFORMATION CONTAINED IN THIS DRAWING IS THE SOLE PROPERTY OF ANDERSON POWER PRODUCTS. ANY REPRODUCTION IN PART OR WHOLE WITHOUT THE WRITTEN PERMISSION OF ANDERSON POWER PRODUCTS IS PROHIBITED.

Copyright 2011

ANDERSON POWER PRODUCTS RESERVES THE RIGHT TO ALTER PRODUCT TYPES, THEIR TECHNICAL DATA, DIMENSION, STYLE AND ACCESSORIES WITHOUT PRIOR NOTIFICATION.



- NOTES:**
1. SC08-SN FOR USE IN 75 AMP POWER DRAWER ONLY
 2. SC16-SN FOR USE IN 35 AMP POWER DRAWER ONLY
 3. CRIMP CONTACTS ONTO WIRE PRIOR TO INSERTION INTO HOUSING
 4. MATERIALS:
 SOCKET BODY-
 SC08-SN, SC12-SN, SC16-SN, SC12-GH- COPPER
 SC30-GN, SC20-GN- BRASS
 SOCKET INSERT- BECU
 5. PLATING:
 SOCKET BODY-
 SC08-SN, SC16-SN, AND SC12-SN: SILVER OVER NICKEL
 SC20-GN, SC30-GN BODY: GOLD OVER NICKEL
 SOCKET INSERT- GOLD OVER NICKEL
 5. LUBE PER SPEC 1S1136

DIM	A	B	C	D	E	
PART NO.	IN[MM]	IN[MM]	IN[MM]	IN[MM]	IN[MM]	DESCRIPTION
SC08-SN	.18[4.5]	.26[6.5]	.21[5.3]	.45[11.4]	.98[24.8]	#8 AWG
SC12-SN	.10[2.6]	.15[3.8]	.16[4.1]	.26[6.5]	.75[19.0]	#12 AWG
SC16-SN	.07[1.7]	.10[2.6]	.12[3.0]	.28[7.0]	.75[19.2]	#16 AWG
SC20-GN	.05[1.2]	.08[2.0]	.08[2.1]	.20[5.2]	.69[17.4]	#20 AWG
SC30-GN	.03[0.7]	.08[2.0]	.08[2.1]	.20[5.2]	.69[17.4]	#30 AWG
SC12-GH	.10[2.6]	.16[4.0]	.16[4.1]	.26[6.5]	.75[19.1]	#12 AWG HOT PLUG SOCKET

REV	DESCRIPTION OF CHANGES	APPROVED	DATE
7	ECRN-14975	TWE	9/21/11
6	ECRN-14963	CMS	8/6/11
5	ECRN-14415	CHB	5/4/06
4	ECRN-14006	CMS	5/4/06
3	ECRN-13896	DD	8/25/05

DIMENSIONS ARE IN:	MM [INCH]	APPROVALS		<p>ANDERSON POWER PRODUCTS</p> <p>TITLE</p> <p>SOCKET CRIMP CONTACTS FOR POWER DRAWER SERIES CONNECTORS</p>		
UNLESS OTHERWISE STATED TOLERANCES:		DRAWN	6/13/2003			
DECIMALS (INCH) DECIMALS (MM) ANGLES		CHECKED	6/13/2003			
2PL±.02[±.5]		MFG APPRV	6/18/2003			
MATERIAL: SEE NOTE 4		QC APPRV	6/18/2003			
FINISH: SEE NOTE 5		ENG APPRV	6/18/2003			
		MFG APPRV	6/18/2003	SIZE	DWG NO.	REV.
		-CAD GENERATED DRAWING- DO NOT MANUALLY UPDATE DO NOT SCALE		A	114444S1	7
		SCALE	CADFILE	SHEET		
		4:1	01768	1 OF 1		

8 7 6 5 4 3 2 1