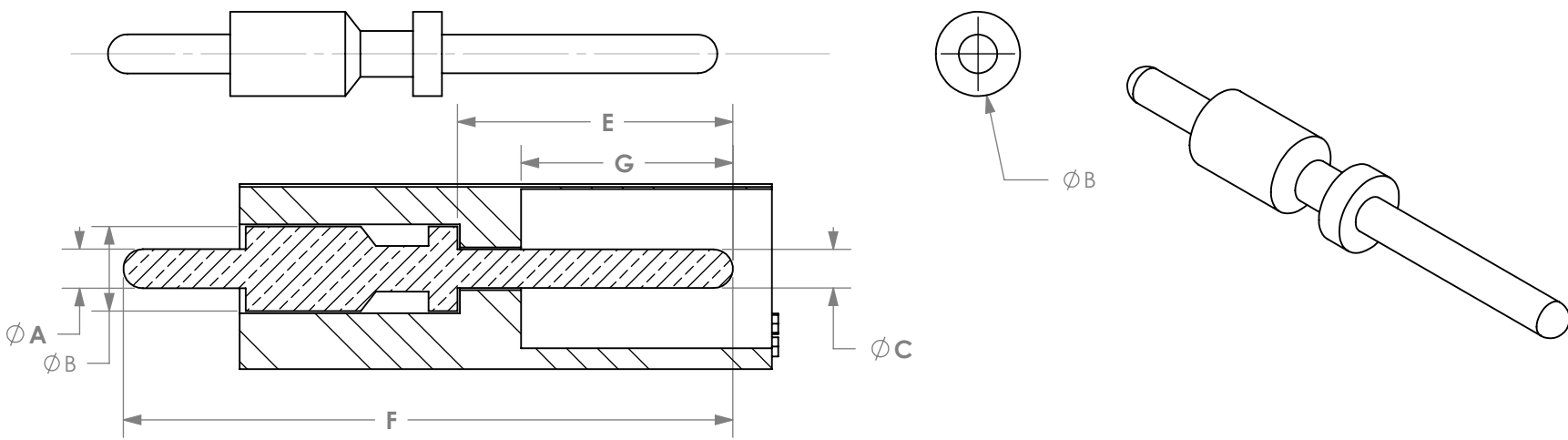


THE INFORMATION CONTAINED IN THIS DRAWING IS THE SOLE PROPERTY OF ANDERSON POWER PRODUCTS. ANY REPRODUCTION IN PART OR WHOLE WITHOUT THE WRITTEN PERMISSION OF ANDERSON POWER PRODUCTS IS PROHIBITED.

Copyright 2003

ANDERSON POWER PRODUCTS RESERVES THE RIGHT TO ALTER PRODUCT TYPES, THEIR TECHNICAL DATA, DIMENSION, STYLE AND ACCESSORIES WITHOUT PRIOR NOTIFICATION.



DIM	A		B		C		E		F		G		DESCRIPTION
PART NO.	IN	MM	IN	MM	IN	MM	IN	MM	IN	MM	IN	MM	
PP08SSN	.14	3.6	.30	7.6	.14	3.6	.56	14.3	1.21	30.8	.40	10.2	#8 AWG-STD. LENGTH
PP08FSN	.14	3.6	.30	7.6	.14	3.6	.61	15.5	1.26	32.0	.45	11.4	#8 AWG-PRE-MATE LENGTH
PP12SSN	.09	2.4	.19	4.8	.09	2.4	.56	14.3	1.15	29.1	.43	10.9	#12 AWG-STD. LENGTH
PP12FSN	.09	2.4	.19	4.8	.09	2.4	.59	15.0	1.17	29.8	.46	11.7	#12 AWG-PRE-MATE LENGTH
PP12LSN	.09	2.4	.19	4.8	.09	2.4	.52	13.2	1.10	28.0	.39	9.9	#12 AWG POST-MATE
PP12SGH	.09	2.4	.19	4.8	.09	2.4	.56	14.3	1.15	29.1	.43	10.9	#12 AWG-STD. LENGTH-HOT PLUG
PP12FGH	.09	2.4	.19	4.8	.09	2.4	.59	15.0	1.17	29.8	.46	11.7	#12 AWG-PRE-MATE LENGTH-HOT PLUG
PP12LGH	.09	2.4	.19	4.8	.09	2.4	.52	13.2	1.10	28.0	.39	9.9	#12 AWG POST-MATE-HOT PLUG
③ PP16SSN	.06	1.6	.13	3.3	.06	1.6	.45	11.5	1.00	25.3	.34	8.6	#16 AWG-STD. LENGTH
③ PP16FSN	.06	1.6	.13	3.3	.06	1.6	.60	15.3	1.15	29.1	.49	12.4	#16 AWG-PRE-MATE LENGTH
③ PP16LSN	.06	1.6	.13	3.3	.06	1.6	.41	10.5	.96	24.3	.30	7.6	#16 AWG-POST-MATE LENGTH
PP20SGN	.04	1.0	.10	2.5	.04	1.0	.45	11.5	.99	25.1	.32	8.1	#20 AWG-STD. LENGTH
PP20FGN	.04	1.0	.10	2.5	.04	1.0	.60	15.3	1.14	28.9	.47	11.9	#20 AWG-PRE-MATE LENGTH
PP20LGN	.04	1.0	.10	2.5	.04	1.0	.40	10.2	.94	23.8	.27	6.9	#20 AWG POST-MATE

- NOTES:
 1. PP08 CONTACTS FOR USE IN 75 AMP POWER DRAWER ONLY
 2. PC16 CONTACTS FOR USE IN 35 AMP POWER DRAWER ONLY
 3. MATERIALS: PIN BODY- COPPER ALLOY
 4. PLATING: PLATING IS SPECIFIED BY THE LAST TWO DIGITS OF THE PART NUMBER.
 I.E. "SN" DENOTES SILVER OVER NICKEL
 "GN" DENOTES GOLD OVER NICKEL
 5. SEE ASSEMBLY INSTRUCTIONS FOR PCB LAYOUT

REV.	DESCRIPTION	APPRV	DATE
3	ECRN-15277	TWE	11/30/2012
2	ECRN-14146	CMS	5/10/07
1	ECRN-13930	CMS	11/17/05
REVISIONS			

DIMENSIONS ARE IN: MM [INCH]		APPROVALS		ANDERSON POWER PRODUCTS	
UNLESS OTHERWISE STATED		DRAWN	CMS	6/16/2003	TITLE PIN PCB CONTACTS FOR POWER DRAWER SERIES CONNECTORS
TOLERANCES:		CHECKED	DJD	11/17/2003	
DECIMALS (INCH) DECIMALS (MM) ANGLES		MFG APPRV	DAM	12/1/2003	
.XX ± .02 .X ± .5 ± 2°		QC APPRV	RPO	11/19/2003	
SURFACE FINISH:		ENG APPRV	MAW	11/24/2003	SIZE A
MACHINED 3.2µ [128µin] ✓		MATERIAL: SEE NOTES		DWG NO.	114447S1
MOLDED 1.6µ [64µin] ✓		FINISH: SEE NOTES		REV.	3
3rd ANGLE PROJECTION		-CAD GENERATED DRAWING- DO NOT MANUALLY UPDATE DO NOT SCALE		SCALE	NONE
				CADFILE	01774
				SHEET	1 OF 1