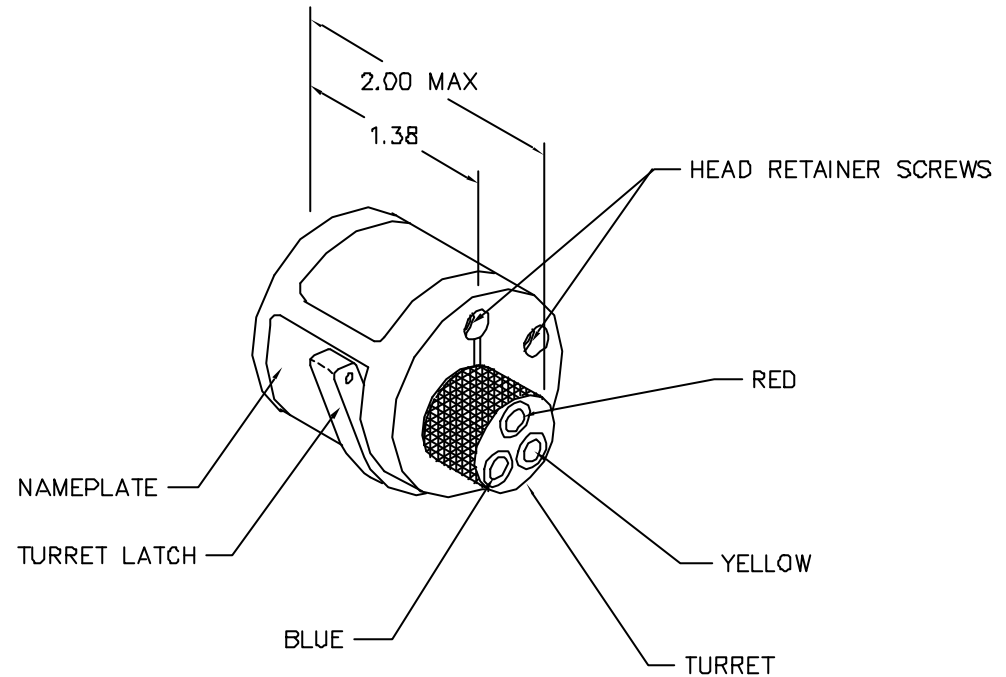
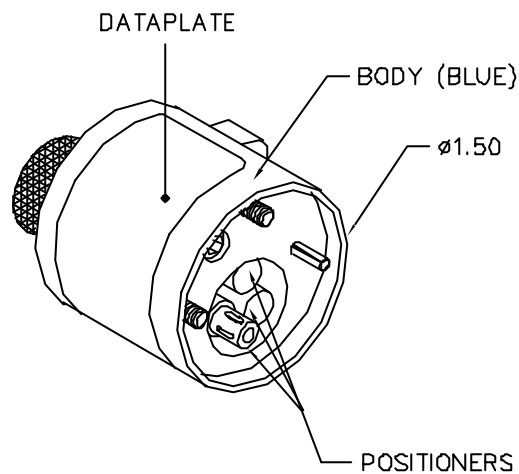


TURRET & LOCATOR FOR CRIMP TOOLS;
TM0001 (MIL STD M22520/1-01) & TP0001

CONTACT SIZE	POSITIONER AND MATING END COLOR	28	24	22	20	18	16	14	12	WIRE SIZE
20-20	RED	1	2	3	4					SELECTOR NO.
16-22	BLUE	1	2	3						
16-20* 16-16		1	2	3	4	5	6			
12-16 12-12	YELLOW				4	5	6	7	8	

MS3162&63 MS3192&93 MS18134&36 MS24254&55 MS90453&54
M39029/1, /2, /3, /4, /5, /9, /10, /11, /12
M83723/29, /30, /33, /34 *M39029/1-101 USE RED POS



POSITIONER COLOR	* HOLE DIMENSIONS	ADDITIONAL FEATURES
RED	$\phi .081$ $\nabla 1.14$ MIN.	$\sqcup \phi .106$ $\nabla .30$
BLUE	$\phi .125$ $\nabla .84$ MIN.	$\sqcup \phi .156$ $\nabla .055$
YELLOW	$\phi .173$ $\nabla .84$ MIN.	$\sqcup \phi .206$ $\nabla .055$

* HOLE DEPTH DIMENSIONS ARE MEASURED FROM THE TOP OF THE POSITIONER INSERTS.



TITLE				
TURRET HEAD ENVELOPE DRAWING (M2252011-02)				
SIZE	SCALE	CAD P/N	SHEET	OF
B	NTS	114914S1	1	1
POSTIND	P/N TL0003		REV. 2	